

[54] AUTOMATIC APPARATUS FOR MEASURING OF ARTERIAL BLOOD PRESSURE

D. 250,896 1/1979 Huber et al. .... D24/21  
D. 254,629 4/1980 Yen ..... D24/21  
D. 259,509 6/1981 Loeffler et al. .... D24/21  
D. 262,139 12/1981 Duckat ..... D24/21 X

[75] Inventors: Giovanni Arduini, Milan; Lorenzo Bonfanti, Usmate; Gianfranco Salvemini, Binasco, all of Italy

Primary Examiner—A Hugo Word  
Assistant Examiner—Stella M. Reid  
Attorney, Agent, or Firm—Stevens, Davis, Miller & Mosher

[73] Assignee: Daniele Ghigini, Pavia, Italy

[\*\*] Term: 14 Years

[57] CLAIM

[21] Appl. No.: 658,632

The ornamental design for an automatic apparatus for measuring of arterial blood pressure, as shown and described.

[22] Filed: Oct. 9, 1984

[30] Foreign Application Priority Data

DESCRIPTION

Apr. 11, 1984 [IT] Italy ..... 21515/84[U]  
[52] U.S. Cl. .... D24/21; D24/1.1  
[58] Field of Search ..... D24/21, 17; 128/672, 128/680, 681, 682, 683, 686

FIG. 1 is a back perspective view of an automatic apparatus for measuring of arterial blood pressure showing our new design;

[56] References Cited

FIG. 2 is a front perspective view of FIG. 1;

FIG. 3 is a left side perspective view of FIG. 2;

FIG. 4 is a right side perspective view of FIG. 2;

FIG. 5 is a top plan view of FIG. 2 rotated 90°;

FIG. 6 is a bottom plan view of FIG. 1 rotated 90°.

U.S. PATENT DOCUMENTS

D. 244,235 5/1977 Lichowsky ..... D24/21

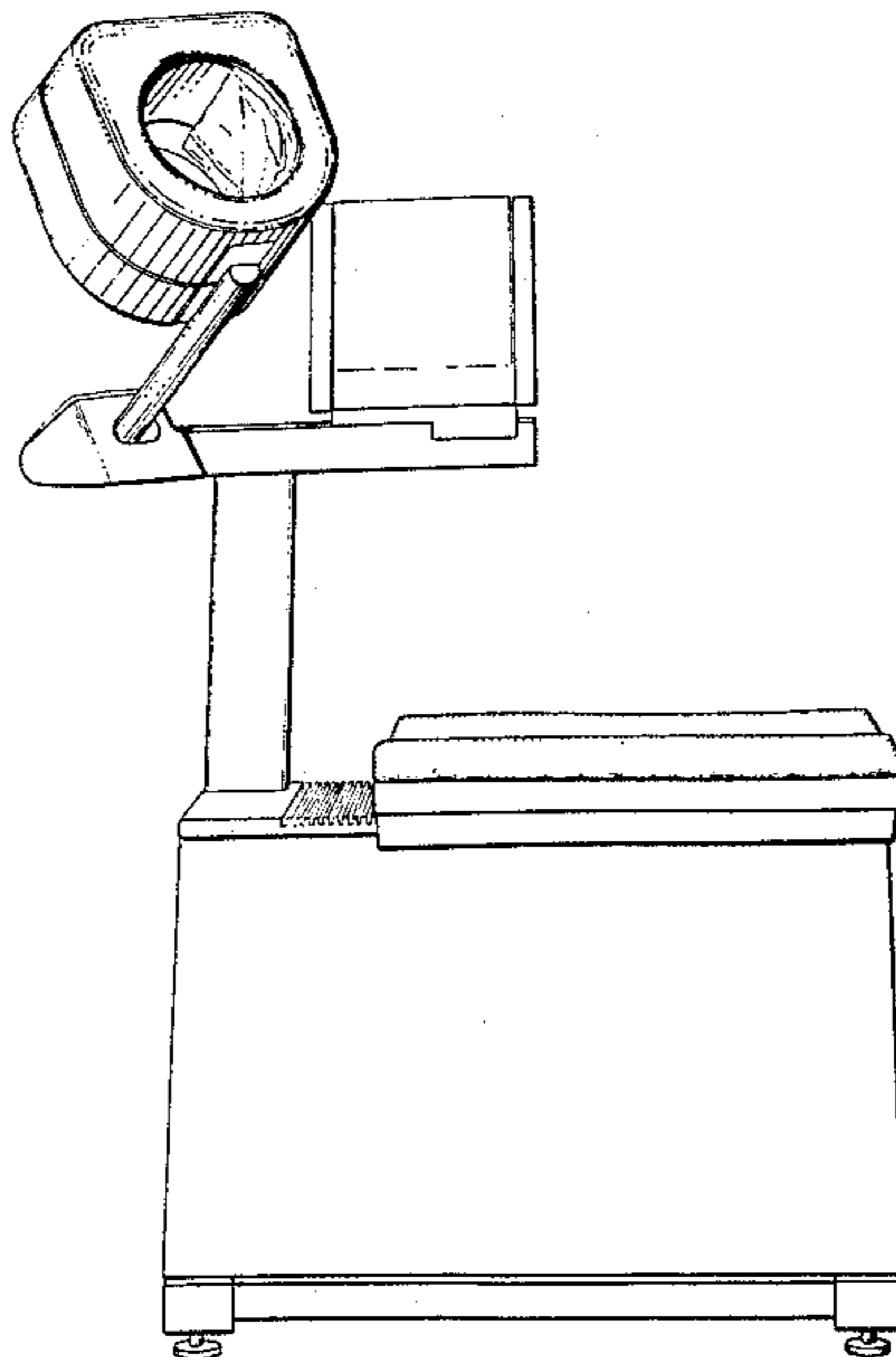


Fig. 2

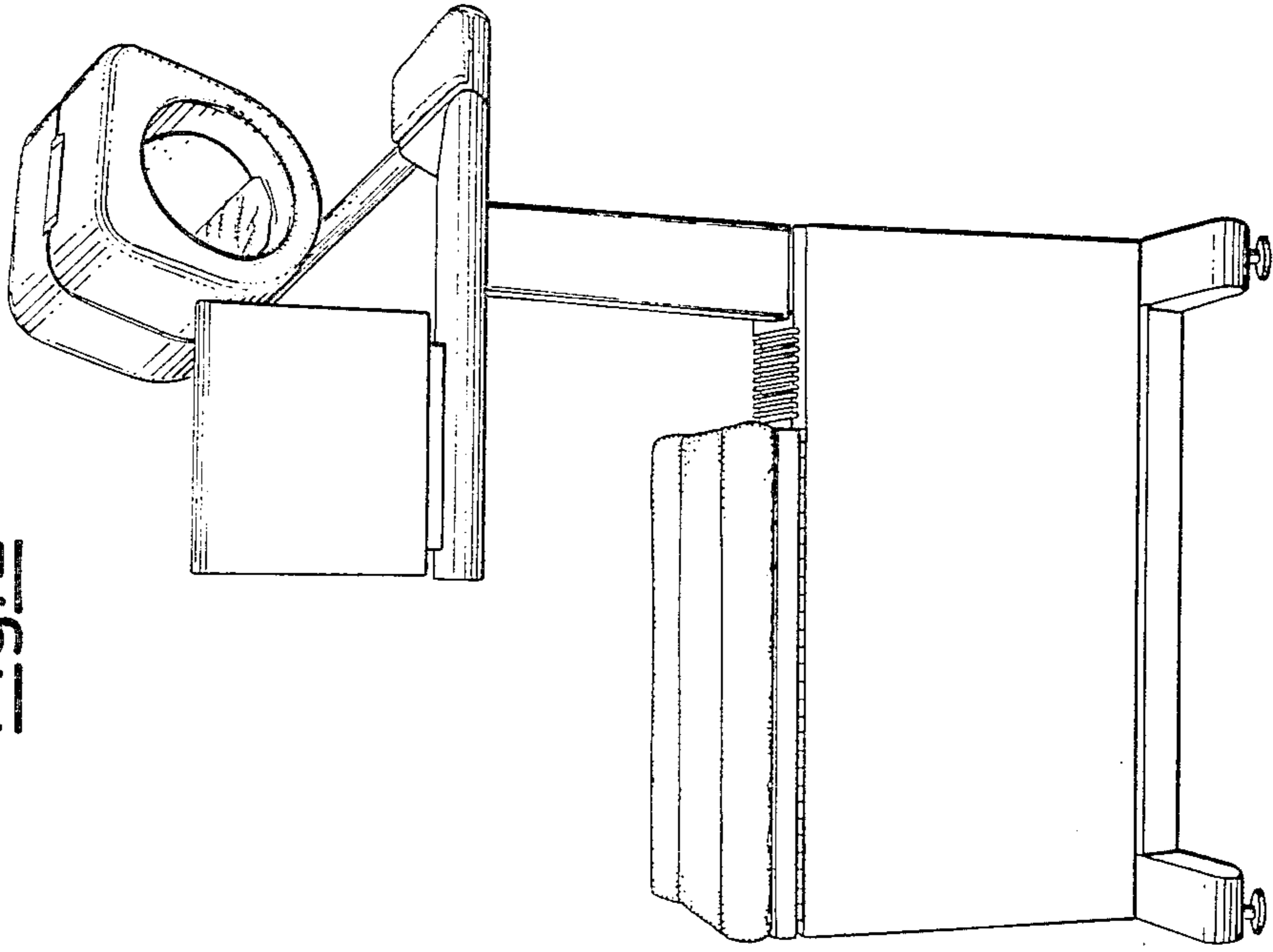
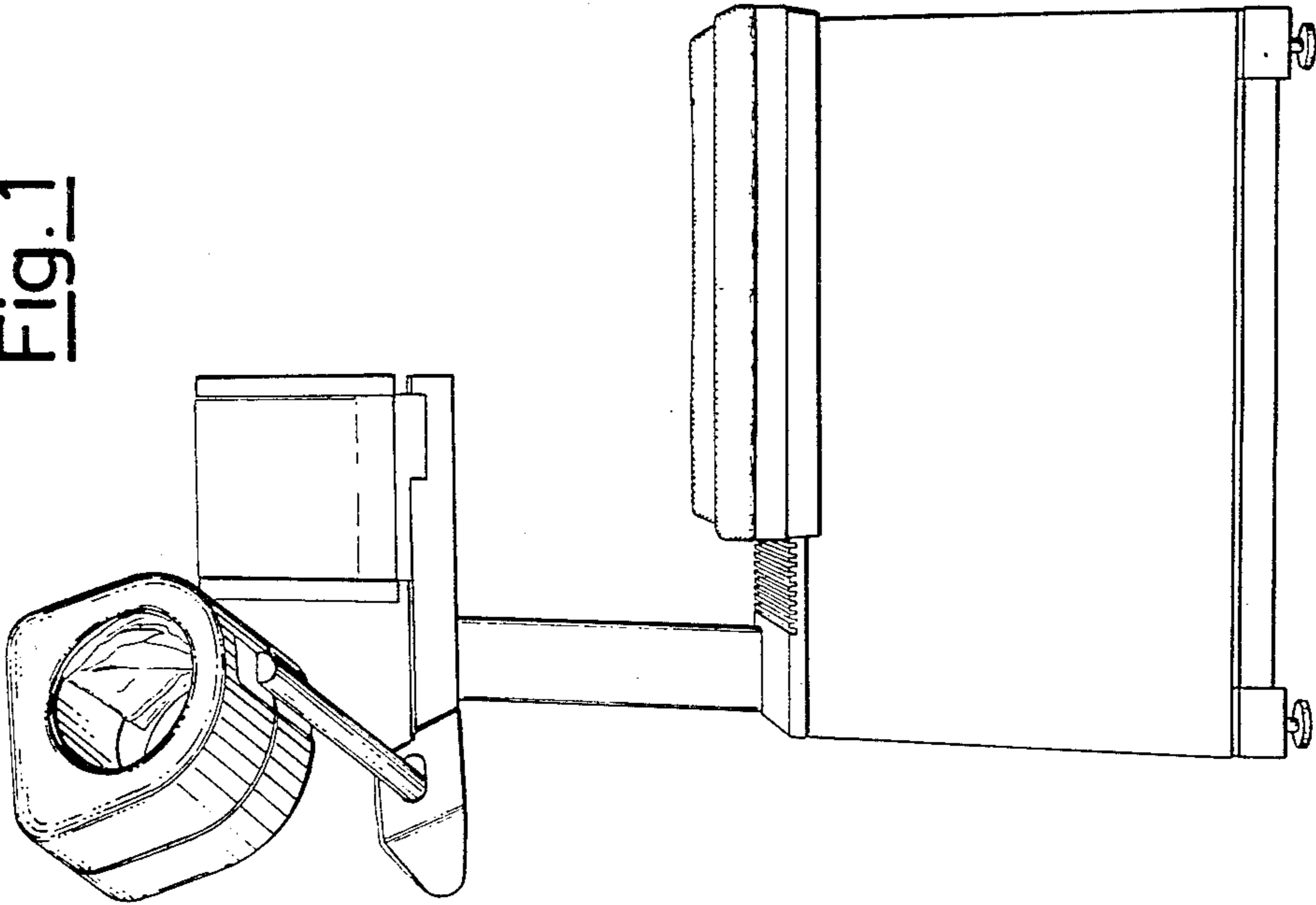


Fig. 1



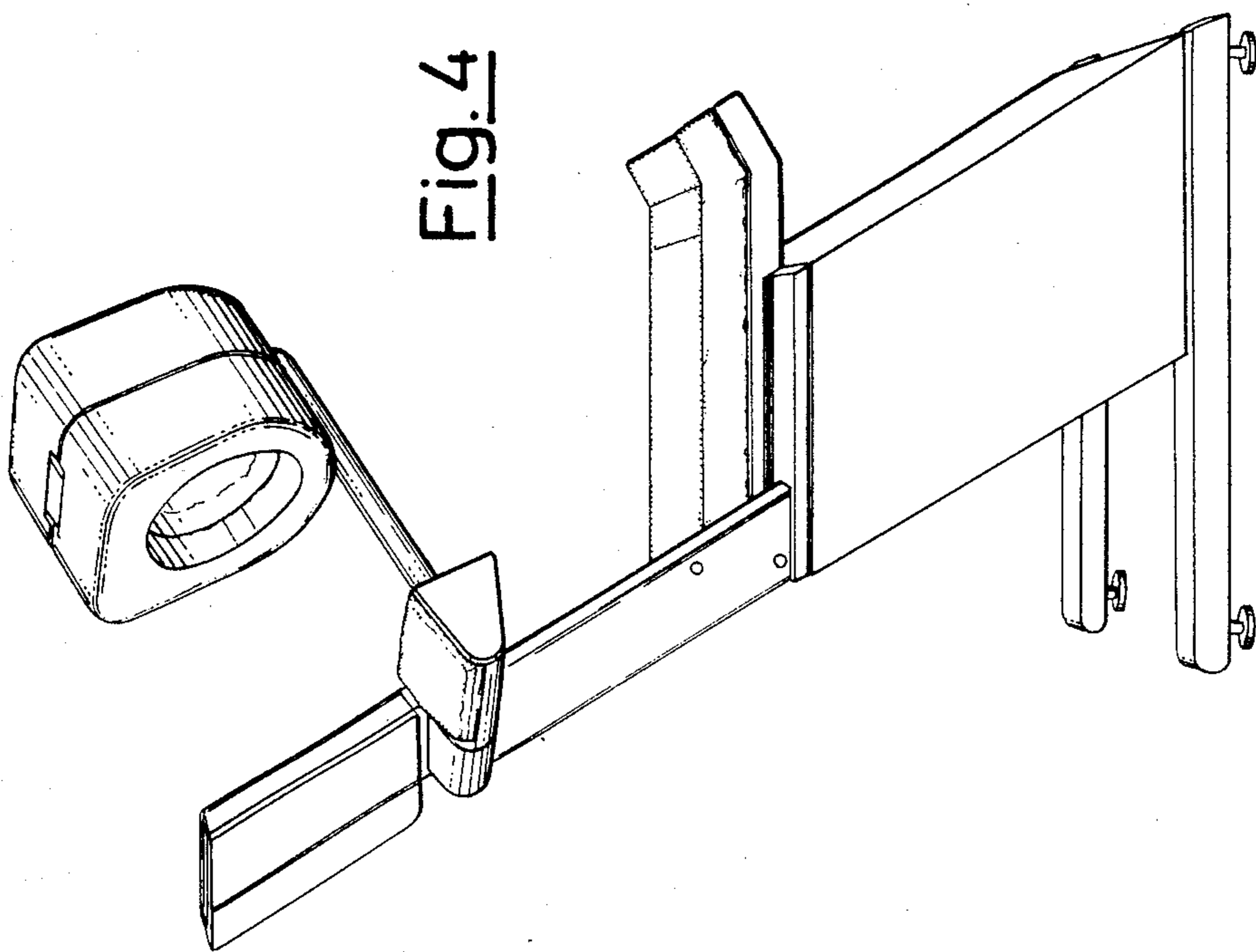


Fig. 4

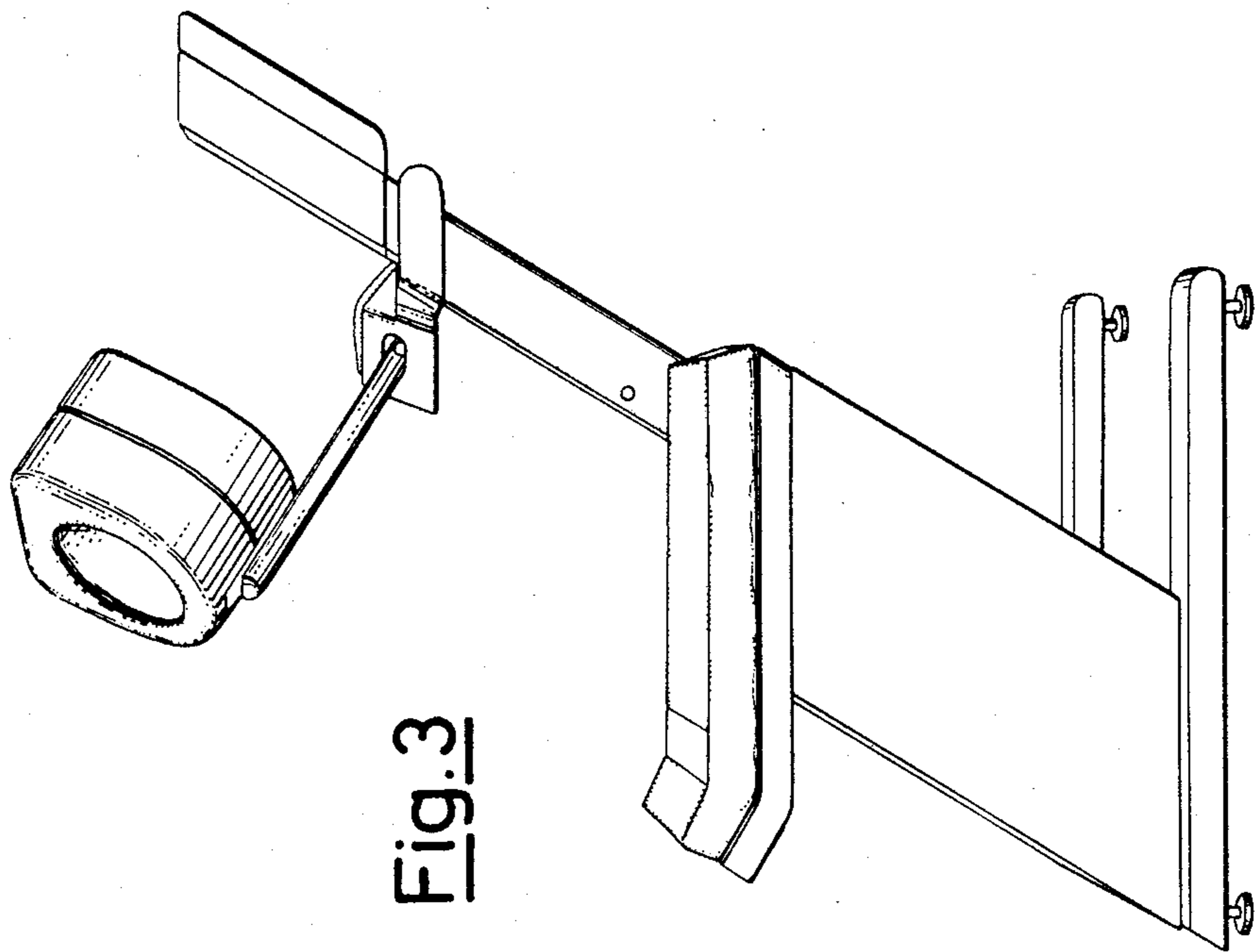


Fig. 3

Fig. 5

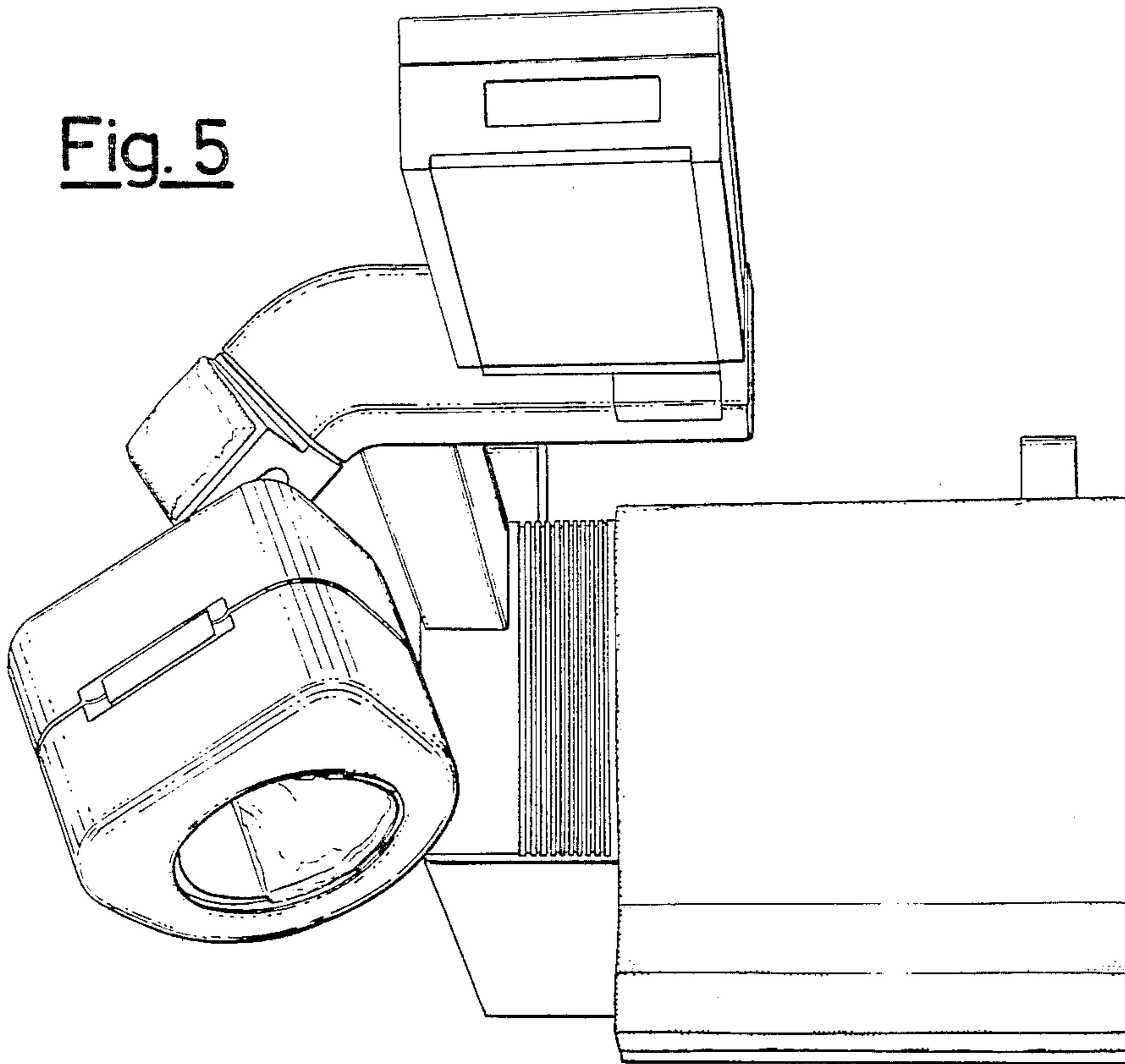


Fig. 6

