

[54] **CEILING FAN**

[76] **Inventor: Shang C. Chen, No. 140, Chung Shan Rd., Feng Yuan City, Taiwan**

[**] **Term: 14 Years**

[21] **Appl. No.: 777,100**

[22] **Filed: Sep. 18, 1985**

[52] **U.S. Cl. D23/158**

[58] **Field of Search D23/139, 155-165; 98/34.6, 38.9, 39.1, 40.01, 40.04, 40.05, 40.07, 42.07; 219/372, 365; 362/92, 147-148, 150, 294, 457-458; 416/5, 58, 93 R, 95, 146 R, 151, 170 R, 171, 194, 204 R, 198 R, 210 R, 223 R, 231 A, 234-235, 236 R, 244 R, 246, 248; 417/423 R, 424; 310/67 R, 89, 85**

[56] **References Cited**

U.S. PATENT DOCUMENTS

4,071,749 1/1978 Balogh D26/85 X

4,396,352 8/1983 Pearce 416/5 X
4,428,032 1/1984 Workman 416/5 X

OTHER PUBLICATIONS

Emerson Heat Fan Bulletin HCF-105 (1978) Filed w/ D23 Fan Catalogue Collection.

Primary Examiner—Wallace R. Burke
Assistant Examiner—Brian N. Vinson
Attorney, Agent, or Firm—Jeffers, Hoffman & Niewyk

[57] **CLAIM**

The ornamental design for ceiling fan, as shown and described.

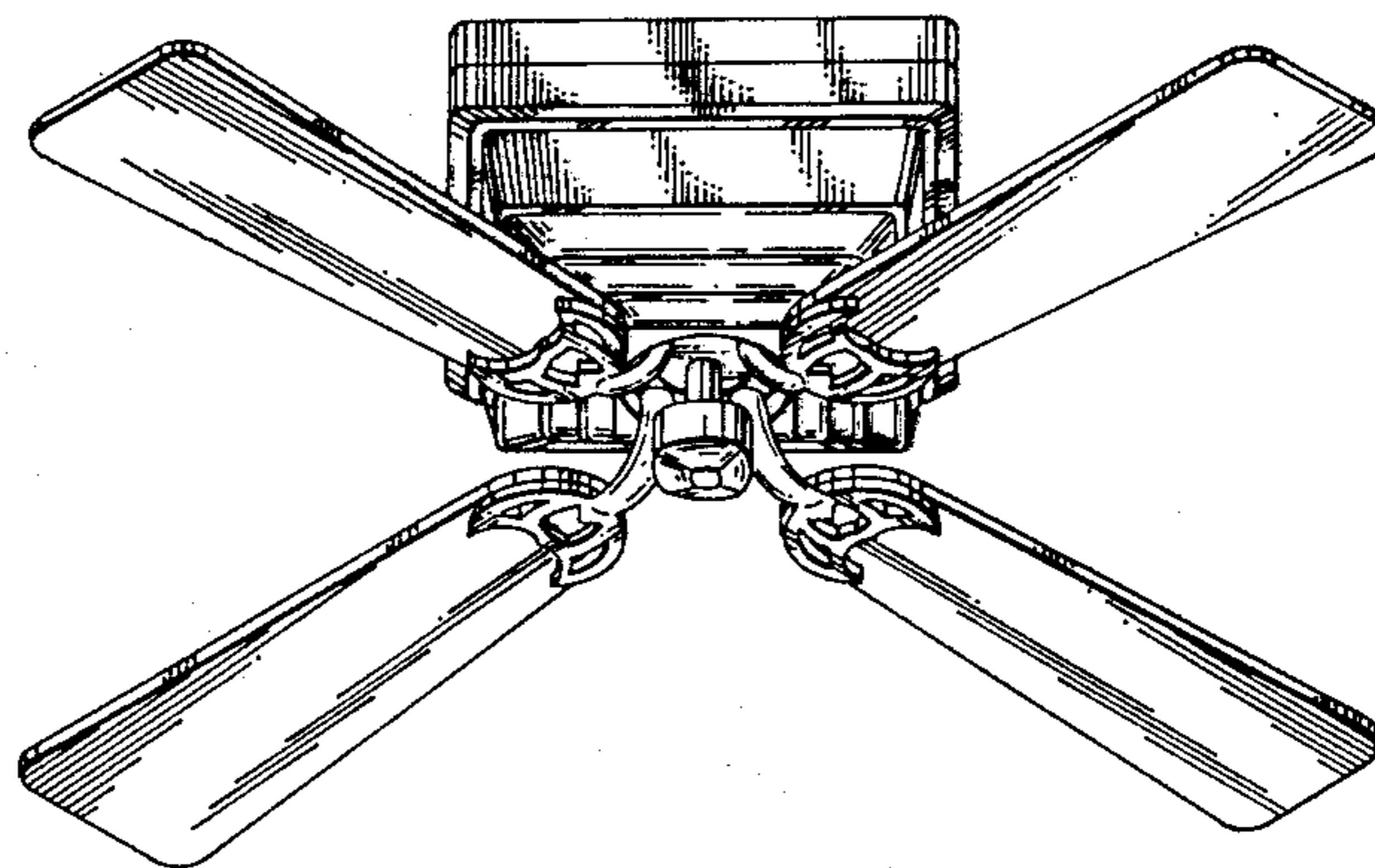
DESCRIPTION

FIG. 1 is a perspective view of ceiling fan showing my new design;

FIG. 2 is a front elevational view thereof, the rear and adjacent sides being identical in appearance;

FIG. 3 is a top plan view thereof; and

FIG. 4 is a bottom plan view thereof.



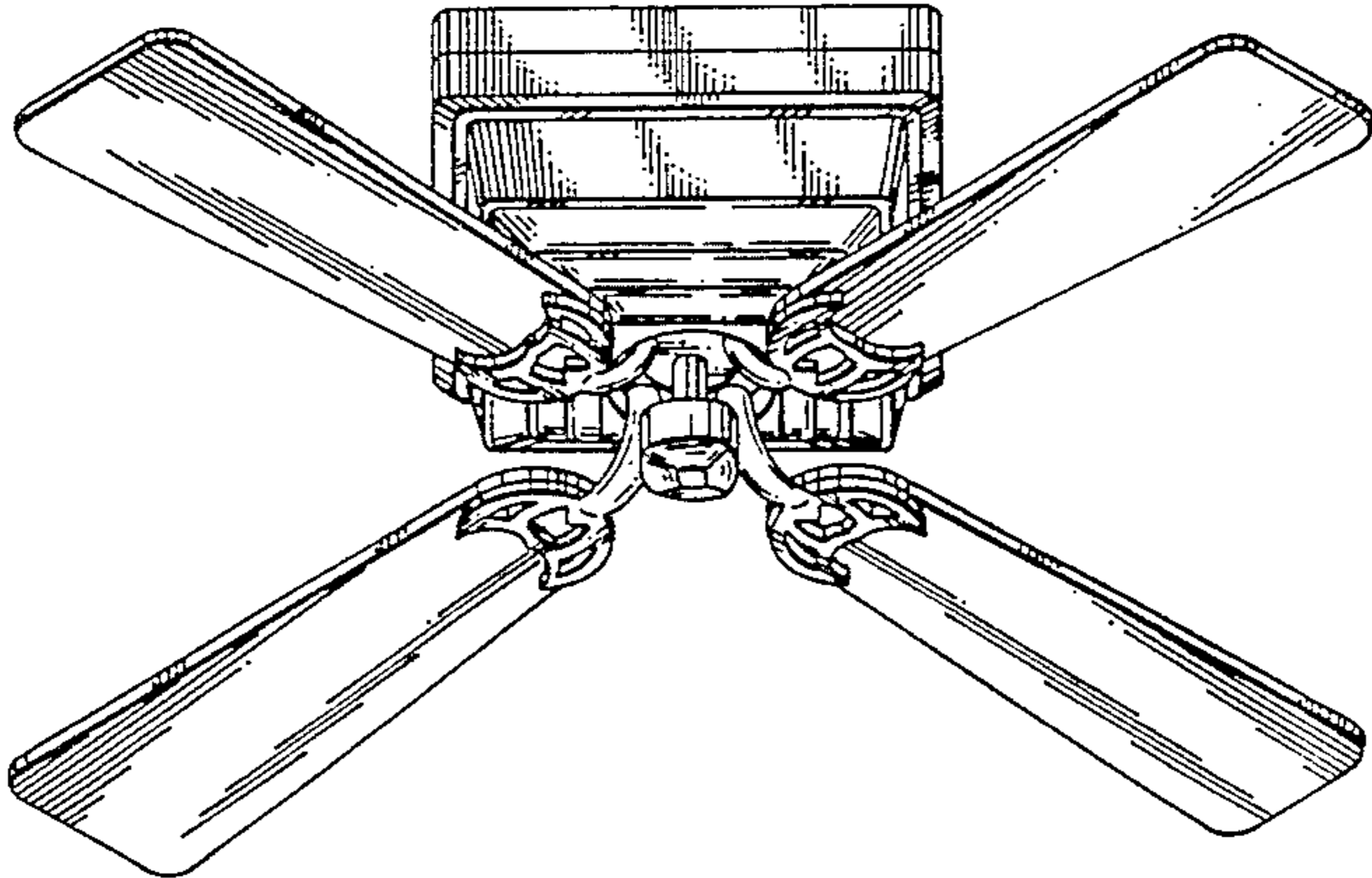


FIG. 1

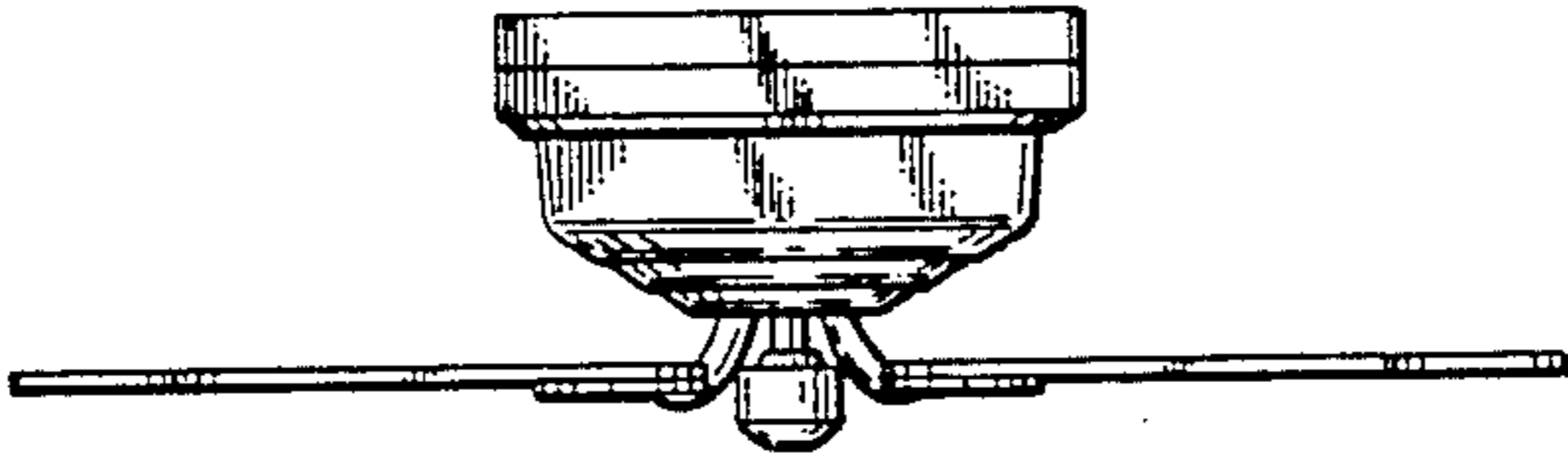


FIG. 2

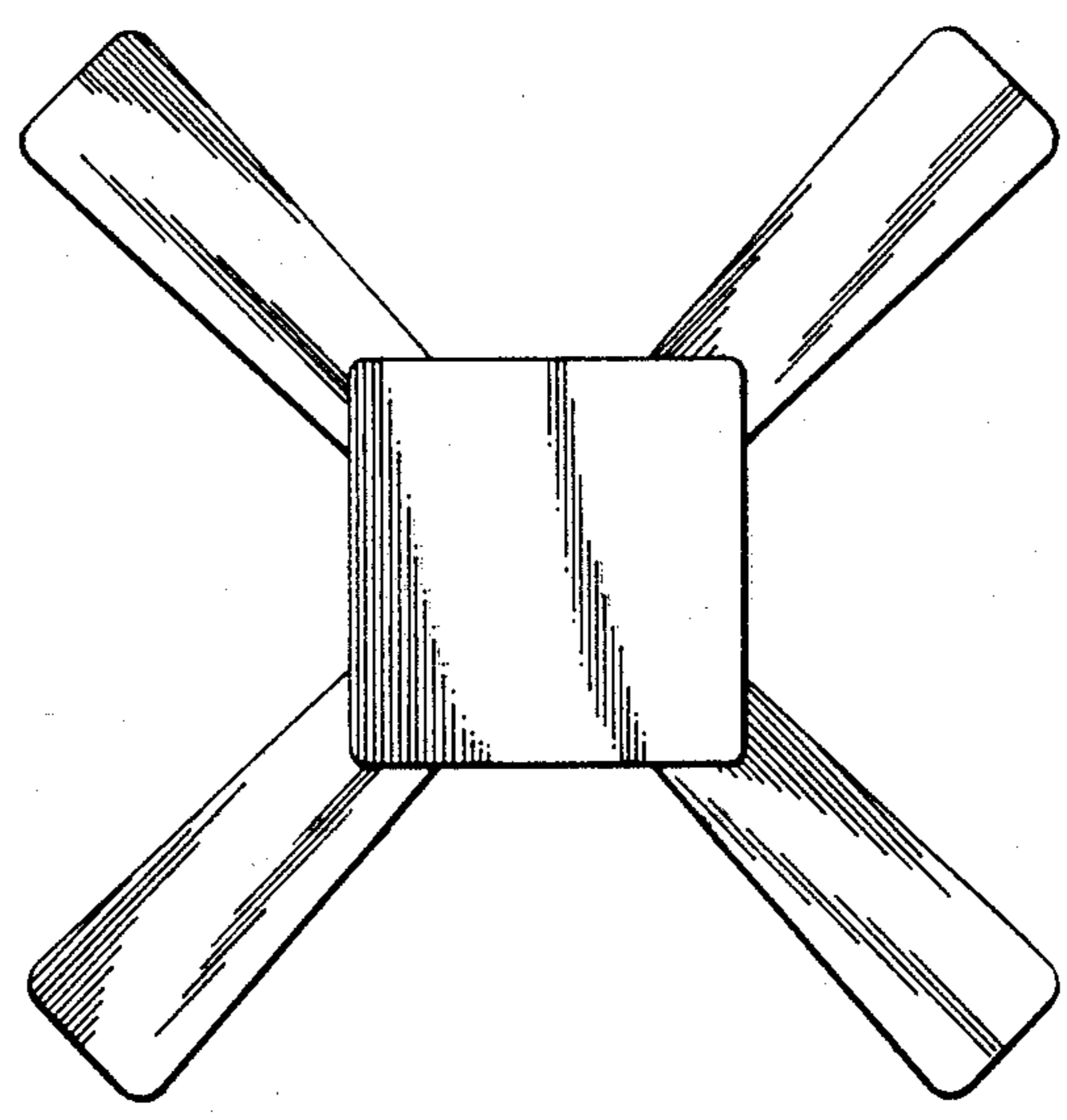


FIG. 3

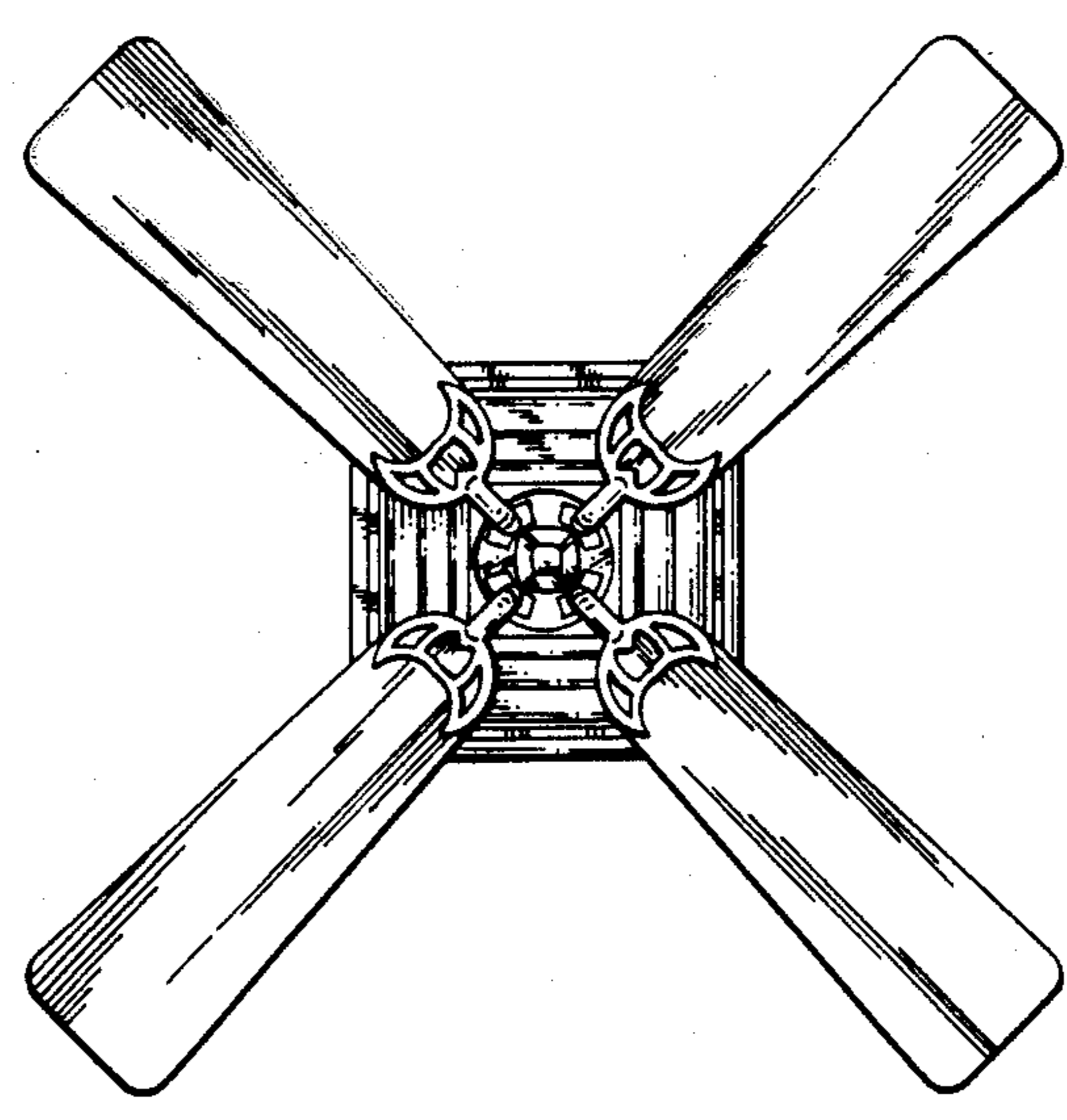


FIG. 4