

[54] LAVATORY SET

[75] Inventor: Stanley M. Paul, Rye, N.Y.

[73] Assignee: Paul Associates, Inc., Long Island City, N.Y.

[**] Term: 14 Years

[21] Appl. No.: 787,245

[22] Filed: Oct. 15, 1985

[52] U.S. Cl. D23/25

[58] Field of Search D23/23-32;
4/191, 192, 591; 137/801

[56] References Cited

U.S. PATENT DOCUMENTS

D. 265,229	6/1982	Paul	D23/25
D. 265,230	6/1982	Paul	D23/25
D. 265,231	6/1982	Paul	D23/25
D. 271,514	11/1983	Paul	D23/25

D. 278,458	4/1985	Paul	D23/25
D. 279,213	6/1985	Paul	D23/25
D. 280,232	8/1985	Paul	D23/25
D. 280,437	9/1985	Rademacher	D23/25
D. 287,160	12/1986	Rademacher	D23/25

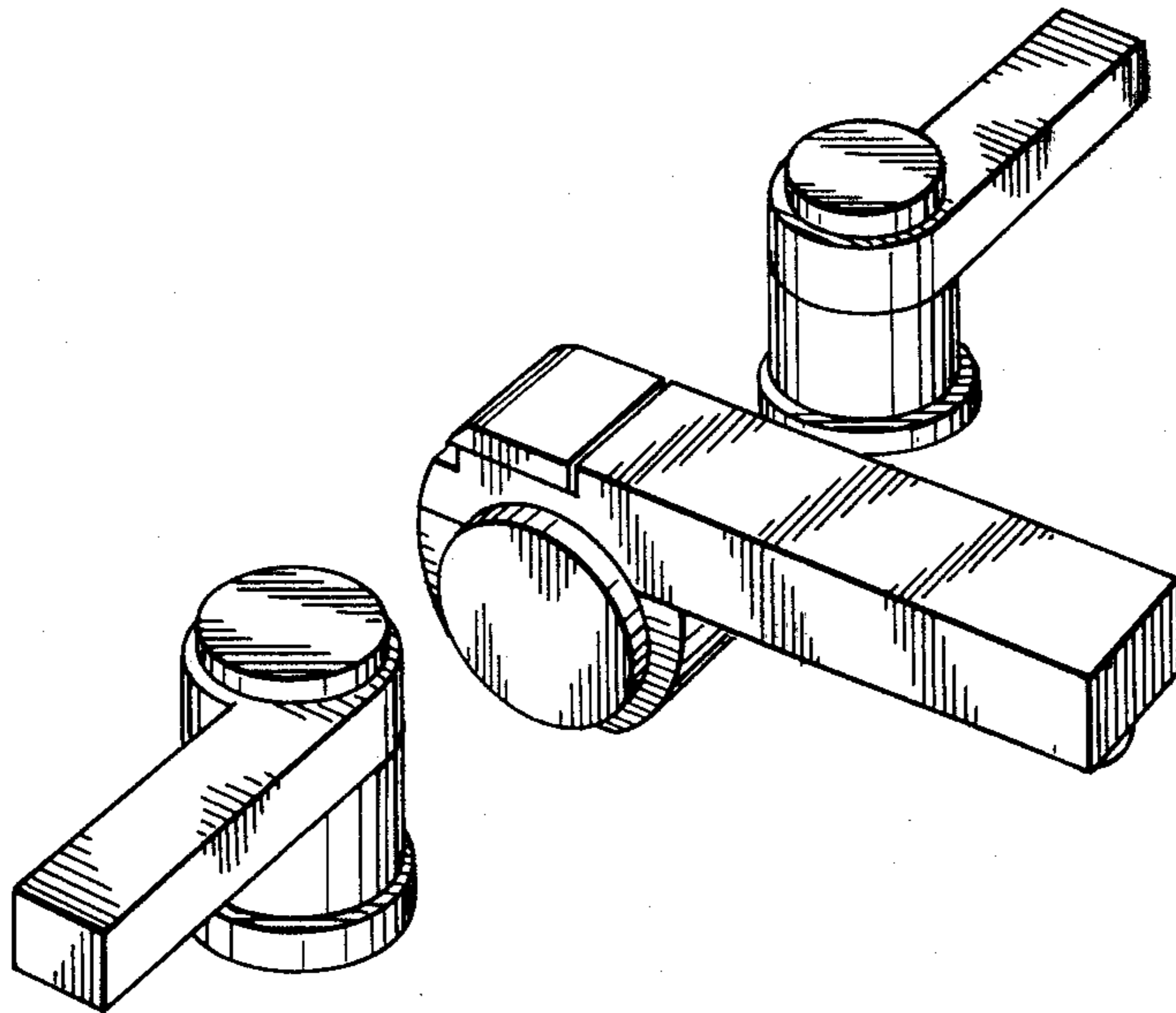
Primary Examiner—James R. Largen
Attorney, Agent, or Firm—Darby & Darby

[57] CLAIM

The ornamental design for a lavatory set, as shown and described.

DESCRIPTION

FIG. 1 is a top perspective view of a lavatory set showing my new design;
FIG. 2 is a left side elevational view thereof, the right side being a mirror image of the left side shown;
FIG. 3 is a front elevational view thereof;
FIG. 4 is a rear elevational view thereof;
FIG. 5 is a top plan view thereof; and
FIG. 6 is a bottom plan view thereof.



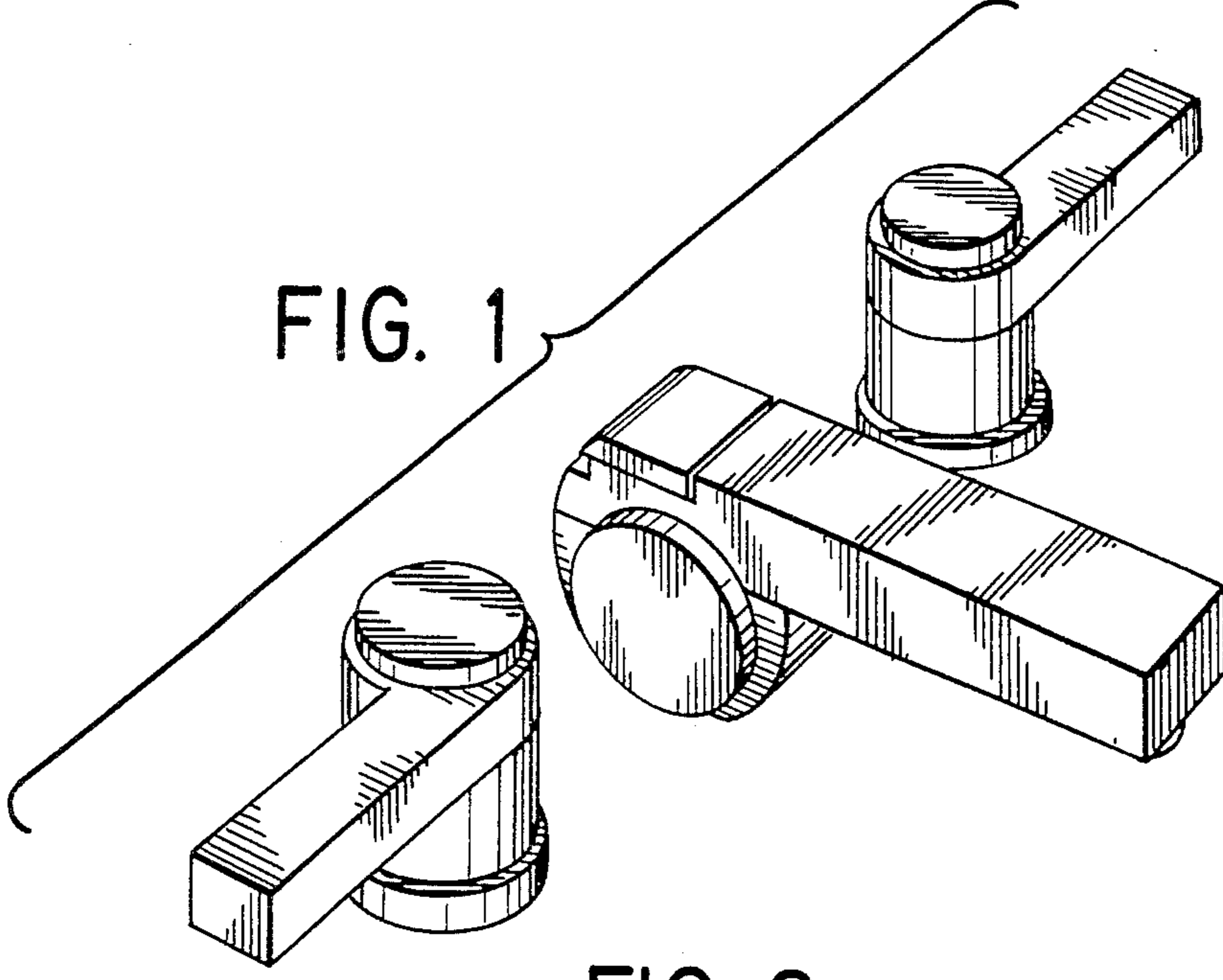


FIG. 1

FIG. 2

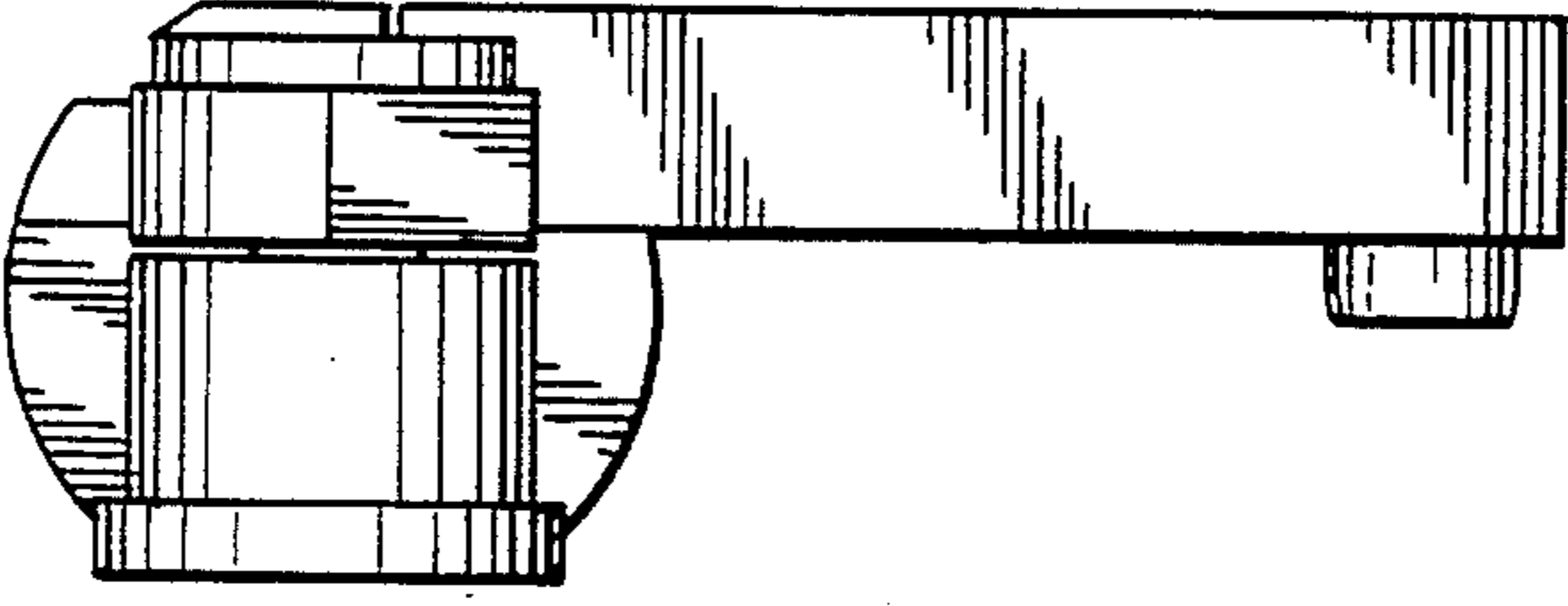


FIG. 3

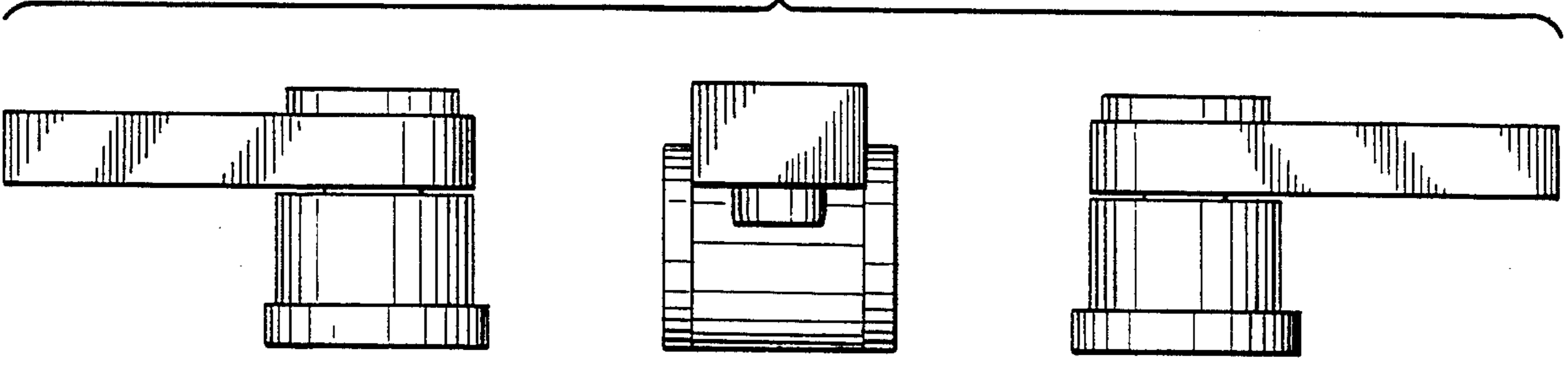


FIG. 4

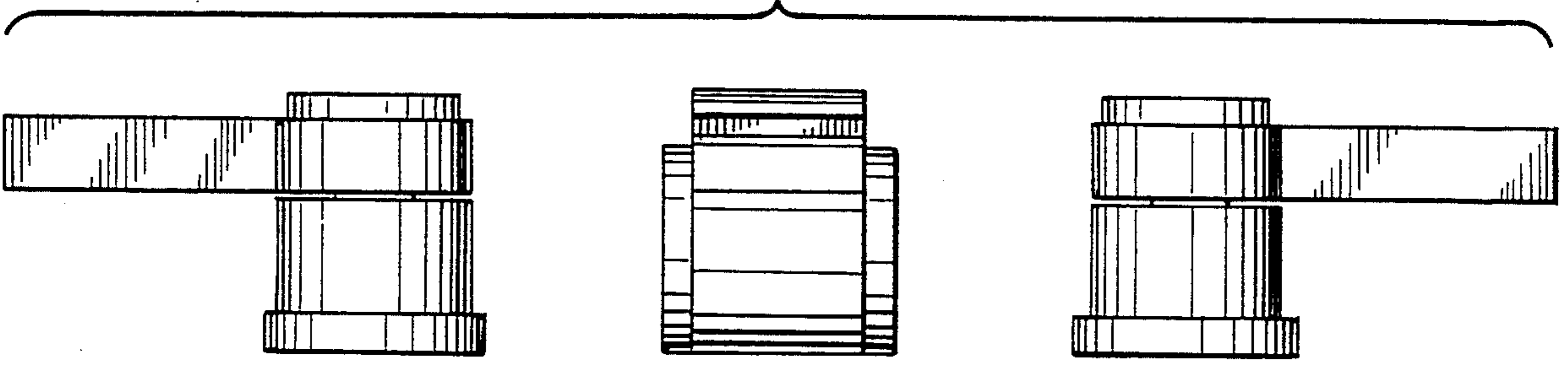


FIG. 5

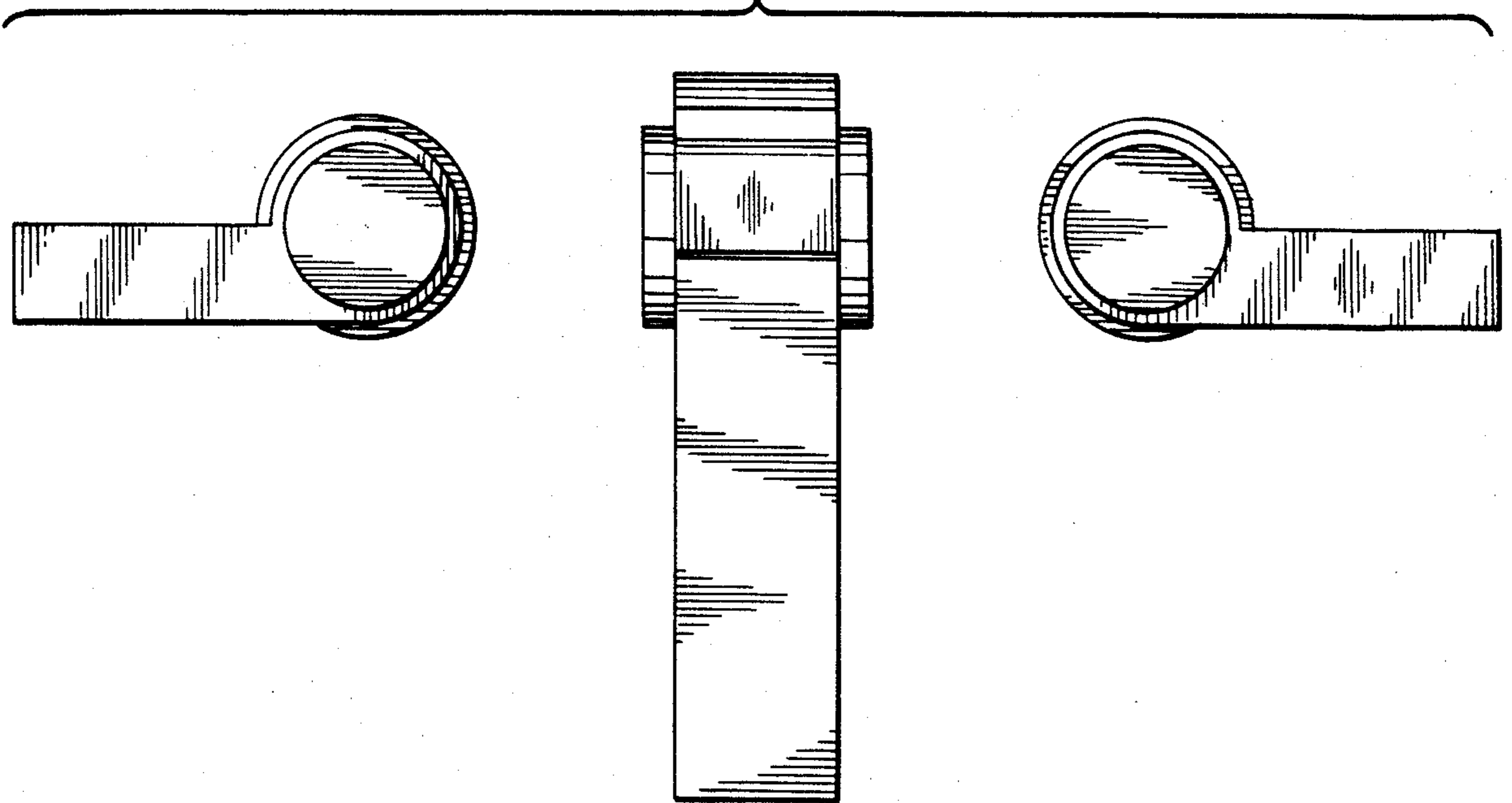


FIG. 6

