

[54] LAVATORY SET

[75] Inventor: Stanley M. Paul, Rye, N.Y.

[73] Assignee: Paul Associates, Inc., Long Island City, N.Y.

[\*\*] Term: 14 Years

[21] Appl. No.: 787,247

[22] Filed: Oct. 15, 1985

[52] U.S. Cl. .... D23/25

[58] Field of Search ..... D23/23-32;  
4/191, 192, 591; 137/801

D. 279,213 6/1985 Paul ..... D23/25  
D. 280,232 8/1985 Paul ..... D23/25  
D. 280,437 9/1985 Rademacher ..... D23/25  
D. 287,160 12/1986 Rademacher ..... D23/25

Primary Examiner—James R. Largen  
Attorney, Agent, or Firm—Darby & Darby

[57] CLAIM

The ornamental design for a lavatory set, as shown and described.

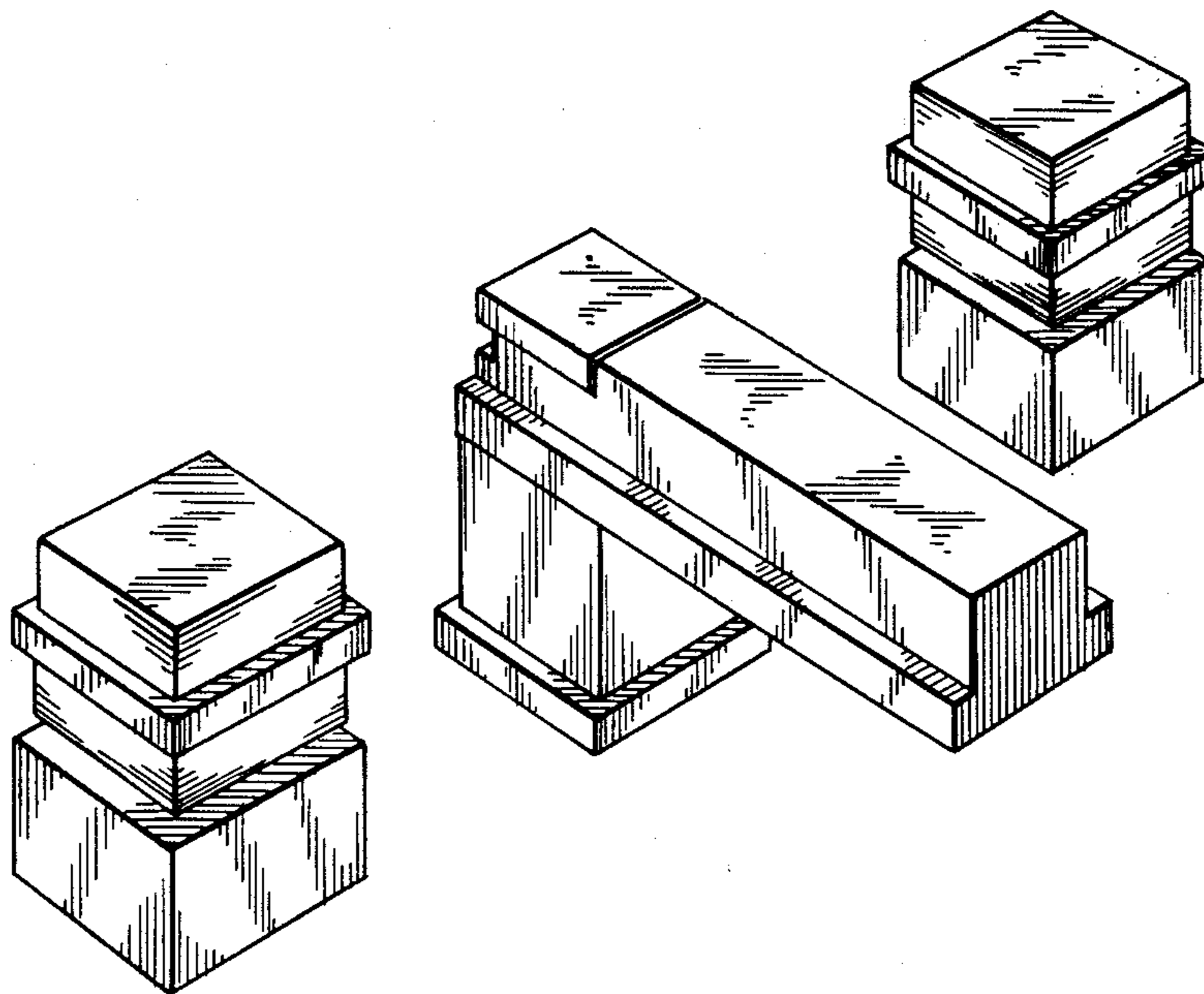
DESCRIPTION

FIG. 1 is a top perspective view of a lavatory set showing my new design;  
FIG. 2 is a left side elevational view thereof, the right side being a mirror image of the left side shown;  
FIG. 3 is a front elevational view thereof;  
FIG. 4 is a rear elevational view thereof;  
FIG. 5 is a top plan view thereof;  
FIG. 6 is a bottom plan view thereof; and  
FIG. 7 is a top perspective view of a modified form of the lavatory set shown in FIG. 1.

[56] References Cited

U.S. PATENT DOCUMENTS

D. 265,229 6/1982 Paul ..... D23/25  
D. 265,230 6/1982 Paul ..... D23/25  
D. 265,231 6/1982 Paul ..... D23/25  
D. 271,514 11/1983 Paul ..... D23/25  
D. 278,458 4/1985 Paul ..... D23/25



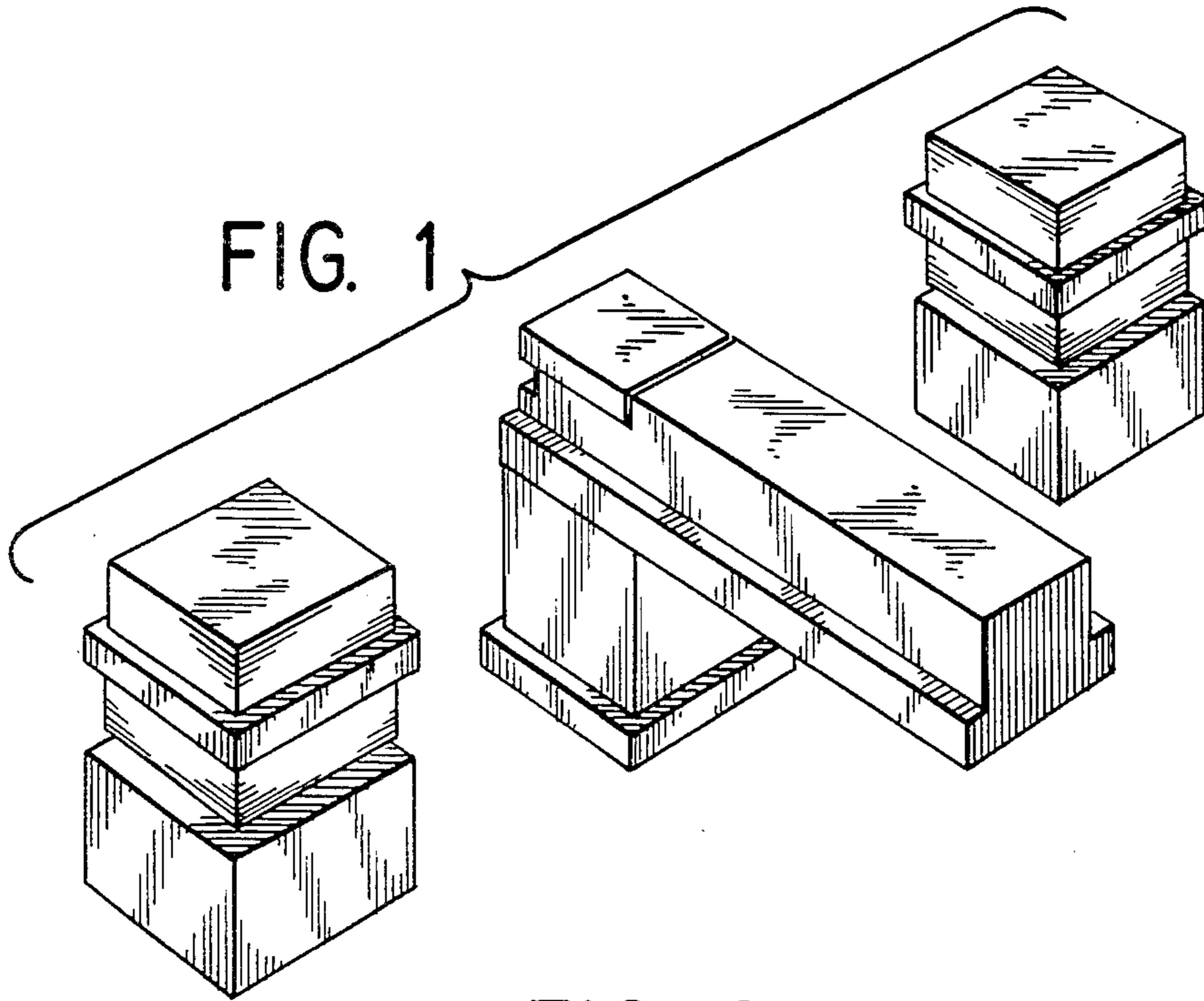


FIG. 2

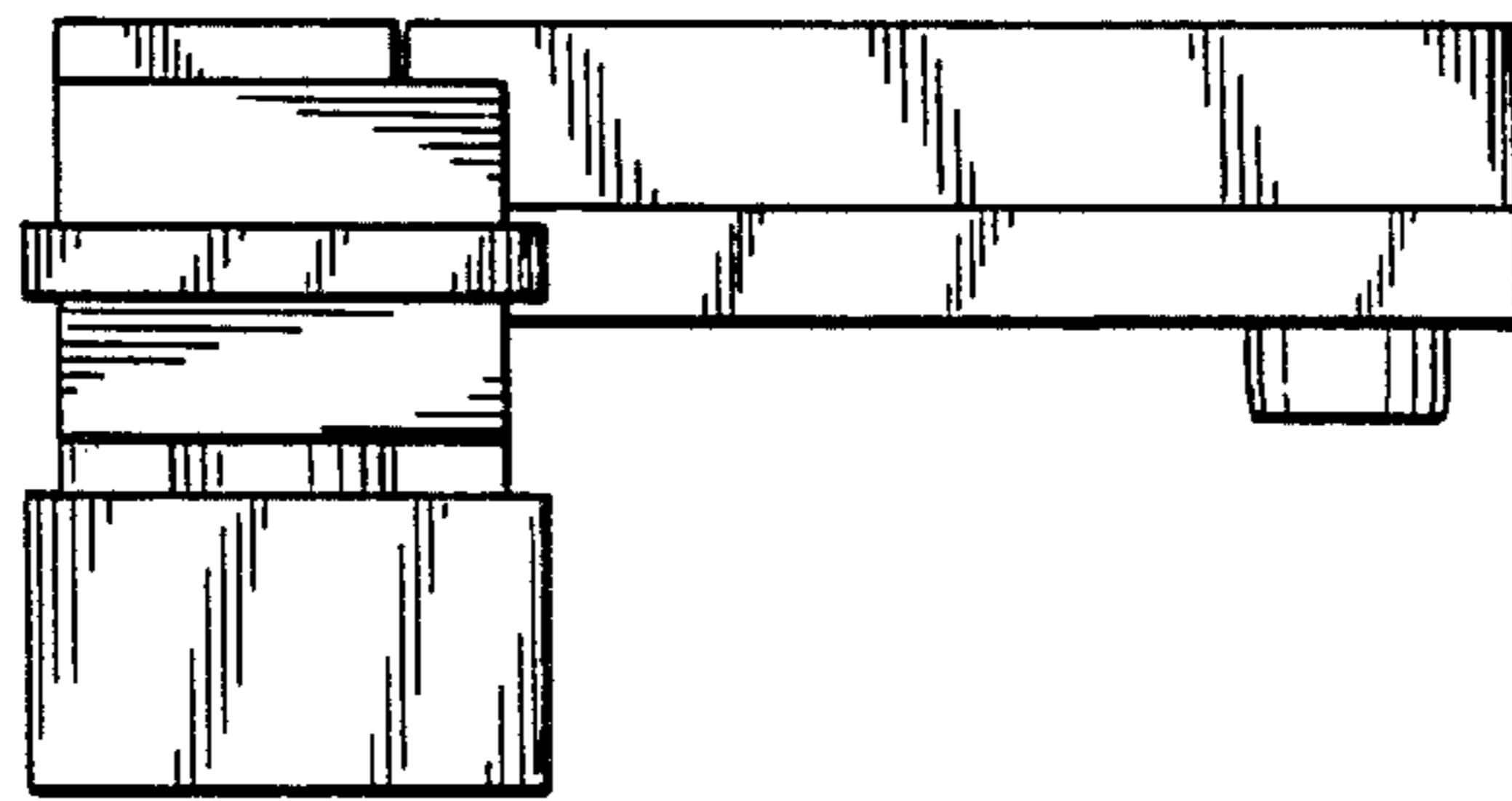


FIG. 3

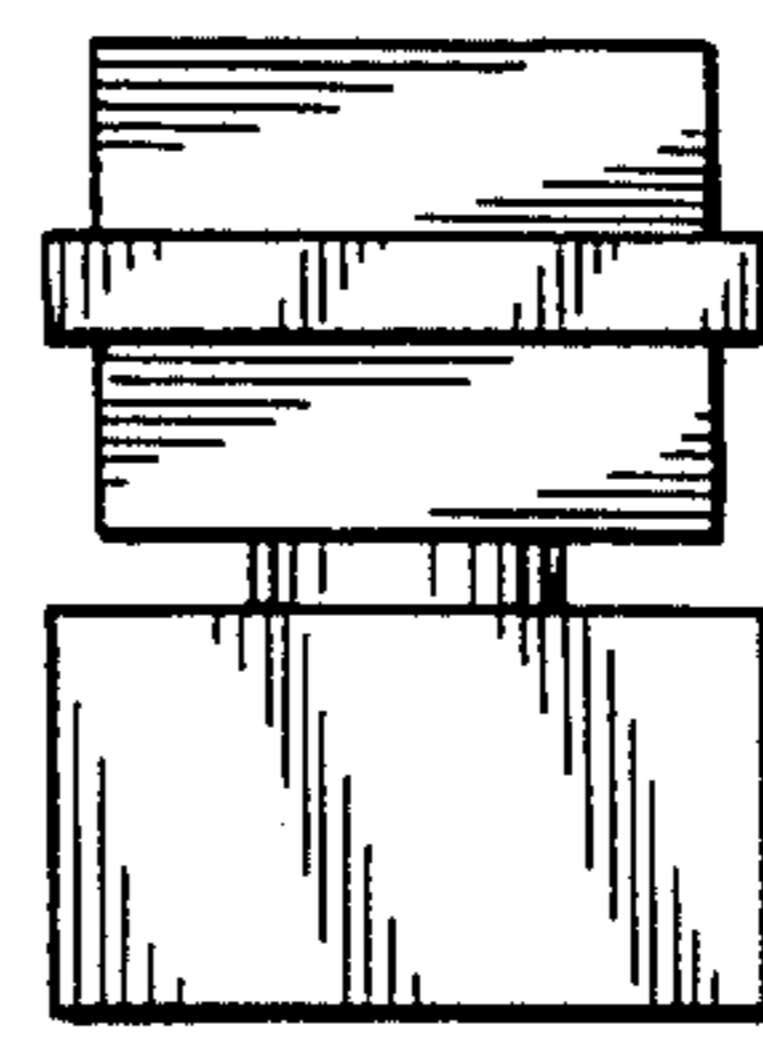
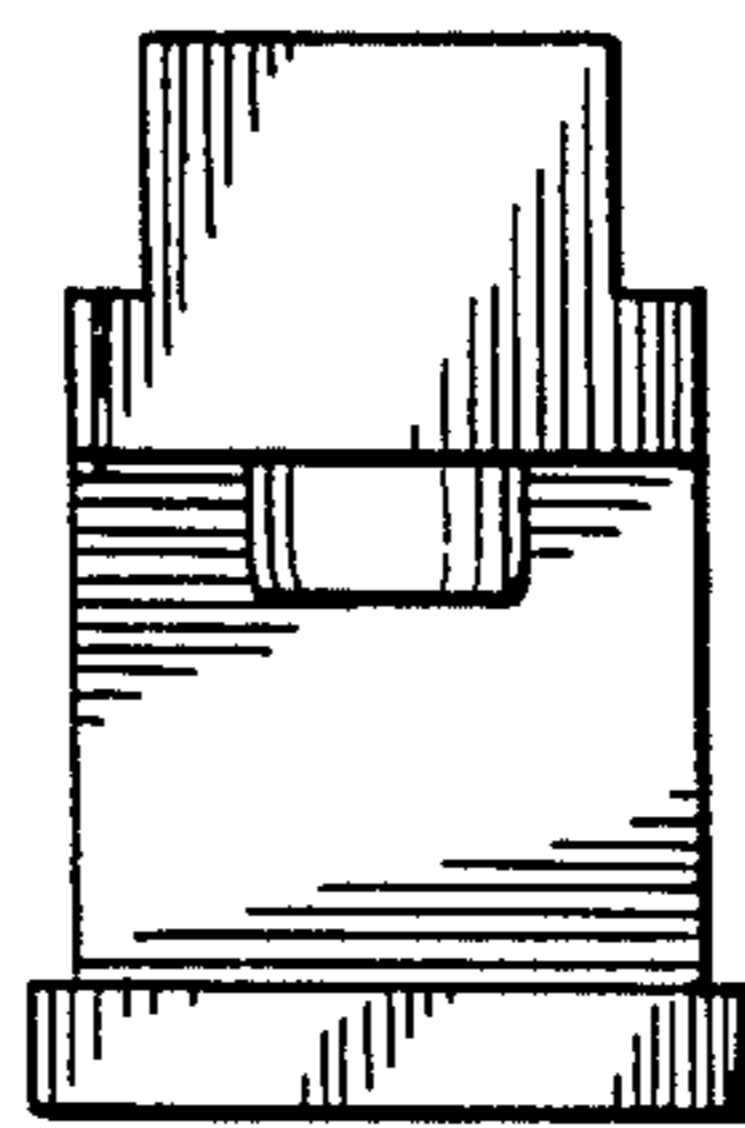
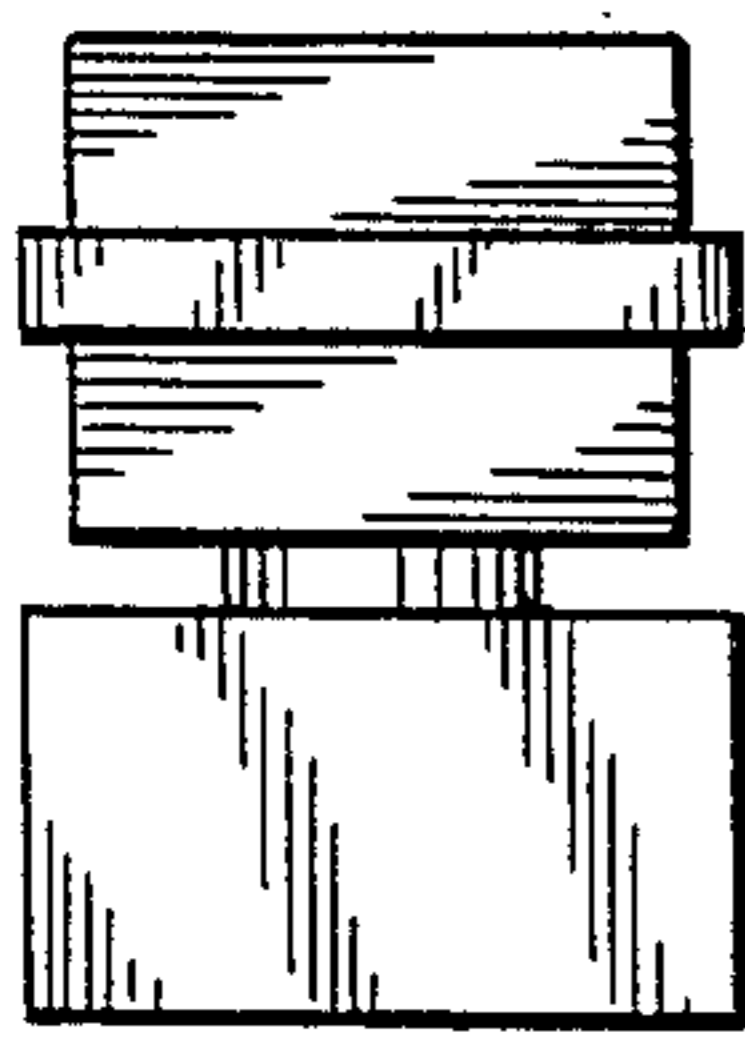


FIG. 4

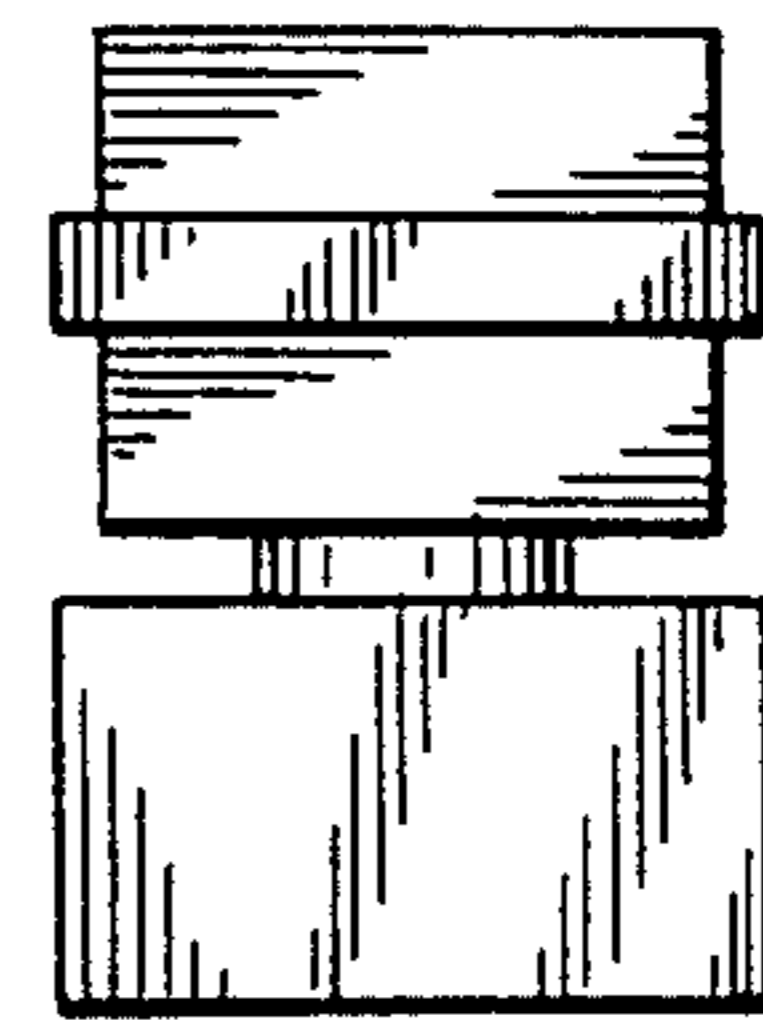
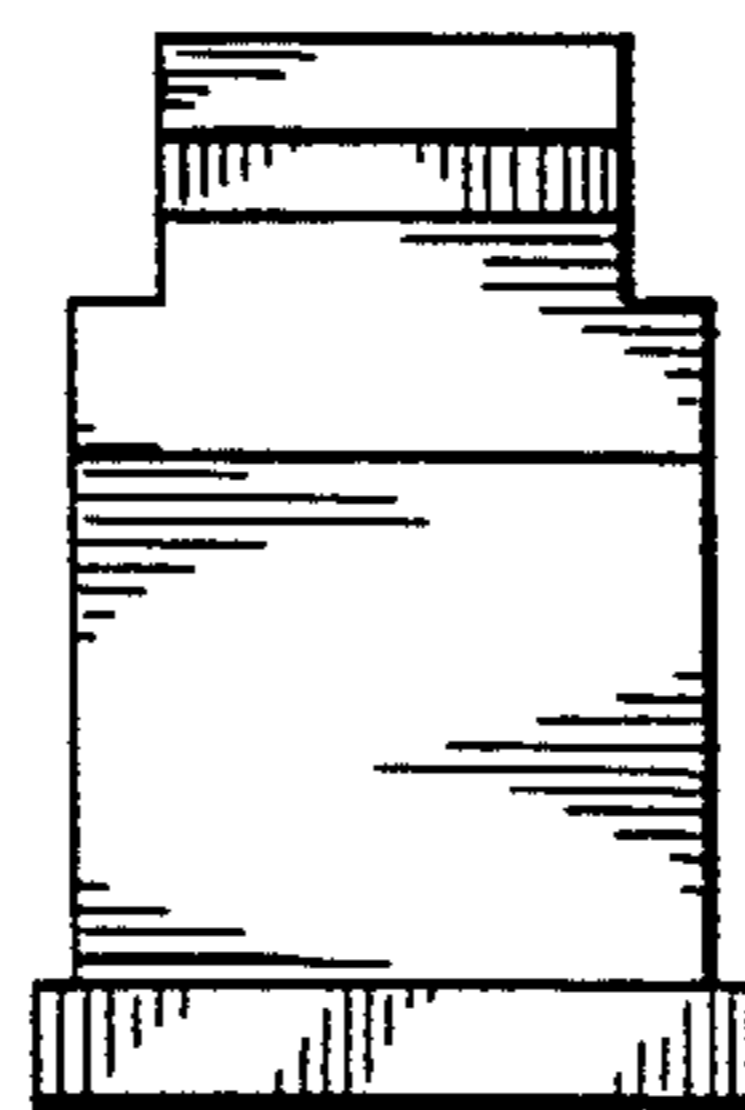
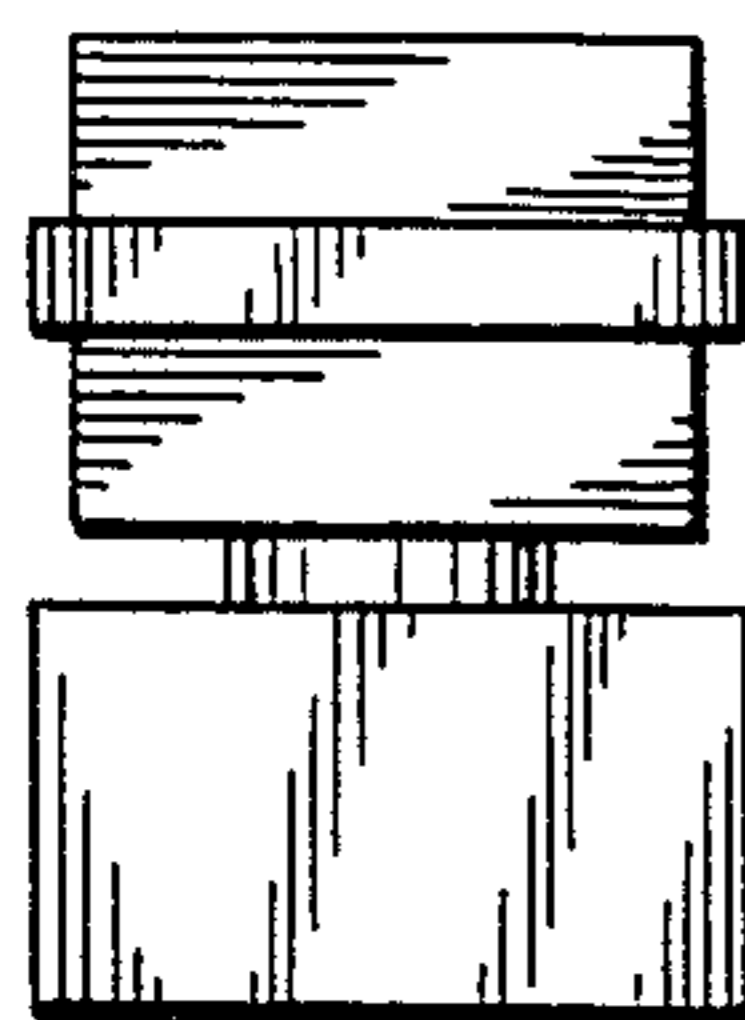


FIG. 5

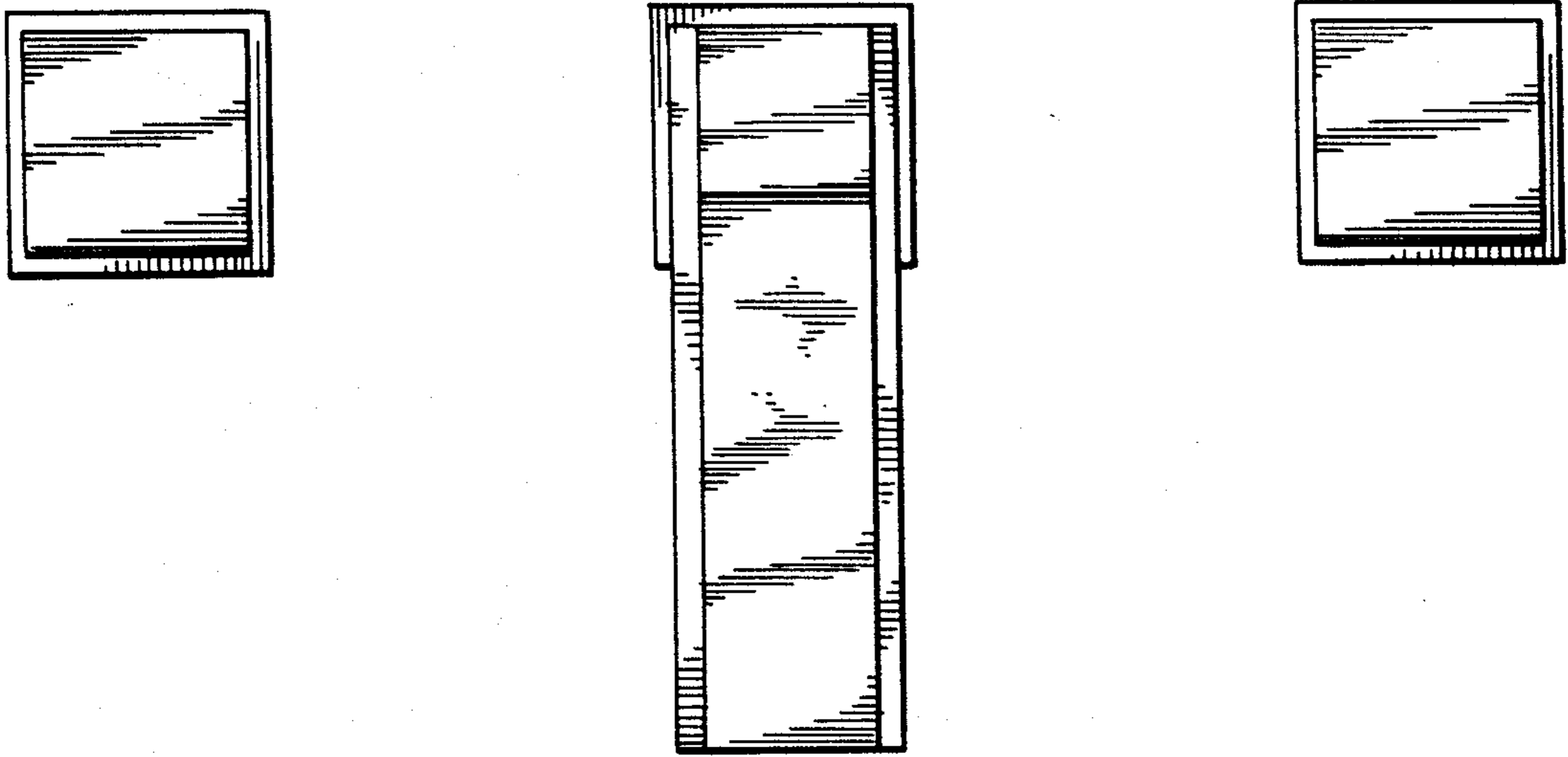


FIG. 6

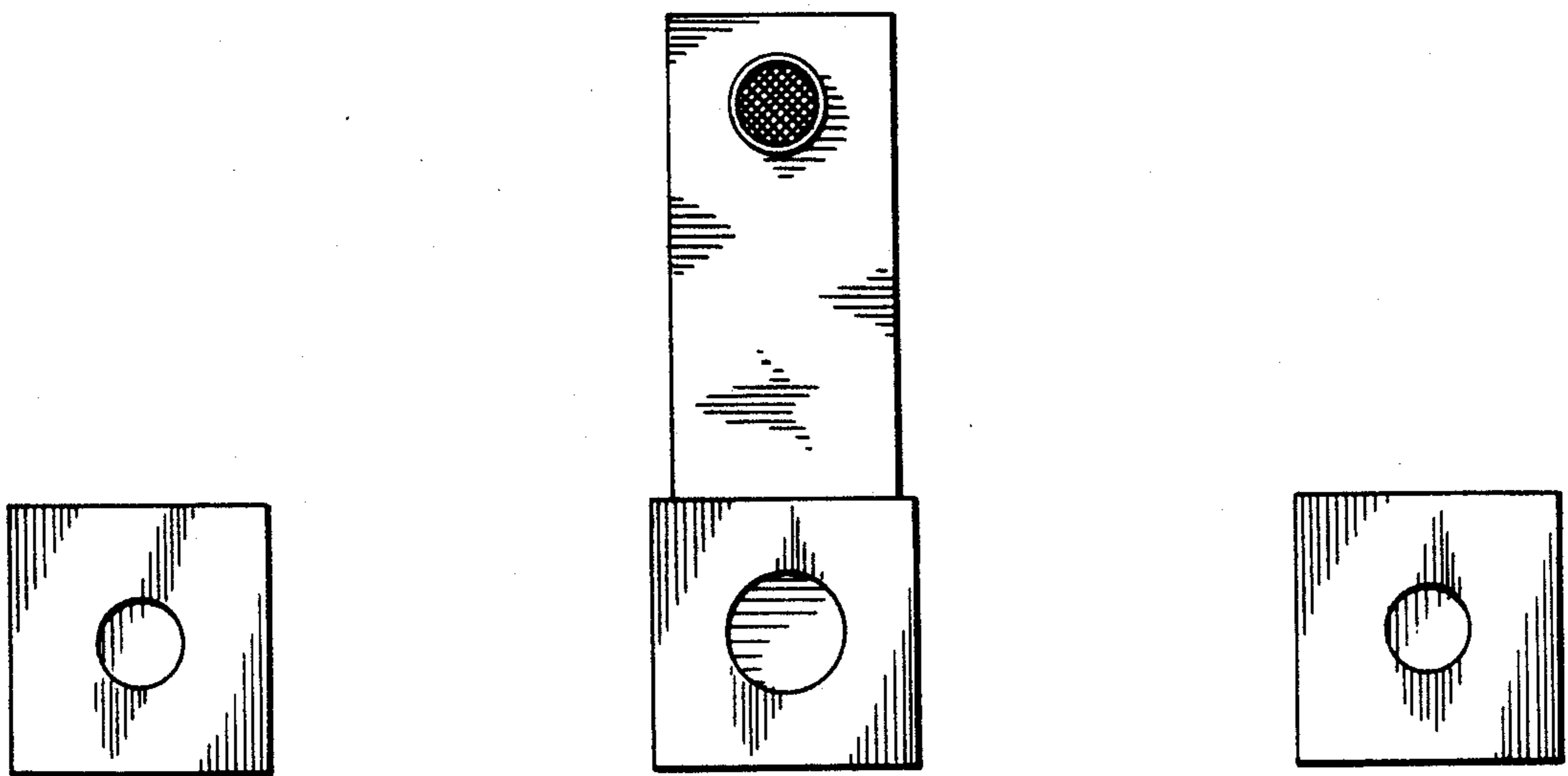


FIG. 7

