

[54] **FISHING LURE**

[76] **Inventor: Ernest J. Ross, 2306 - 153rd Street, Surrey, British Columbia, Canada, V4A 4R2**

[**] **Term: 14 Years**

[21] **Appl. No.: 672,287**

[22] **Filed: Nov. 16, 1984**

[30] **Foreign Application Priority Data**

May 25, 1984 [CA] Canada 25-05-84-12

[52] **U.S. Cl. D22/126; D22/129**

[58] **Field of Search 43/9, 27.4, 42.23, 43.13, 43/42.48; D22/126, 129**

[56] **References Cited**

U.S. PATENT DOCUMENTS

D. 218,822 9/1970 Pope D22/126
3,568,355 3/1971 Hassell 43/43.13

3,898,759 8/1975 Jensen 43/43.13
3,940,872 3/1976 Weber 43/43.13
4,471,556 9/1984 Dworski 43/42.48 X

FOREIGN PATENT DOCUMENTS

203221 3/1966 Sweden 43/42.48

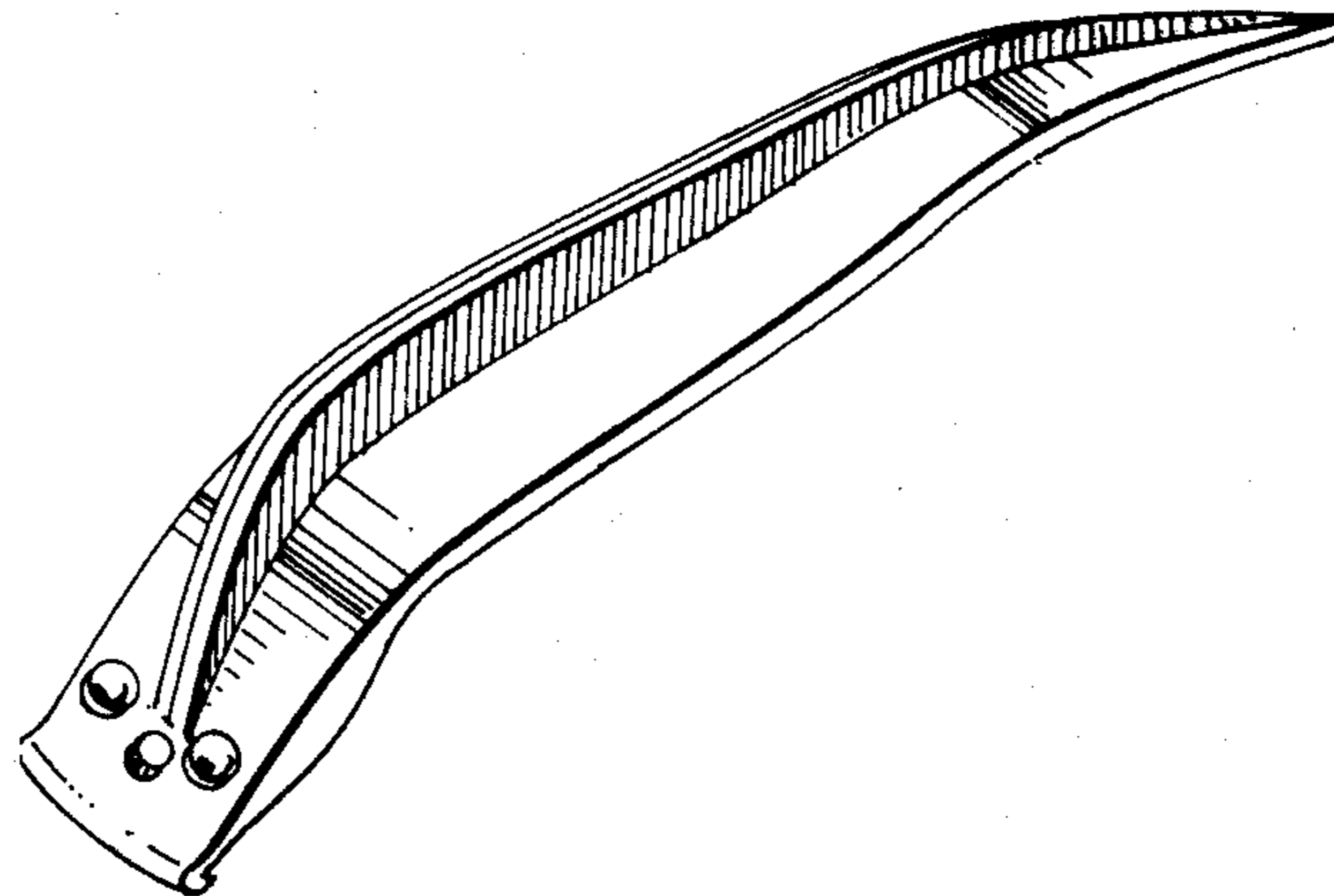
Primary Examiner—A. Hugo Word
Attorney, Agent, or Firm—Koppel & Harris

[57] **CLAIM**

The ornamental design for a fishing lure, as shown and described.

DESCRIPTION

FIG. 1 is a top plan view of a fishing lure showing my new design;
FIG. 2 is a bottom plan view thereof;
FIG. 3 is a side elevational view thereof;
FIGS. 4 and 5 are respectively top and bottom perspective views thereof; and
FIG. 6 is a front elevational view thereof.



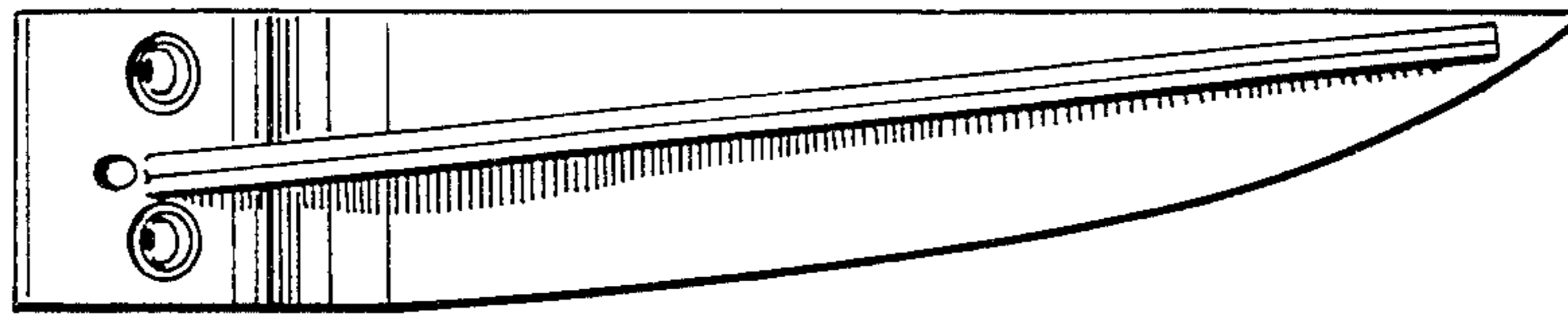


FIG. 1

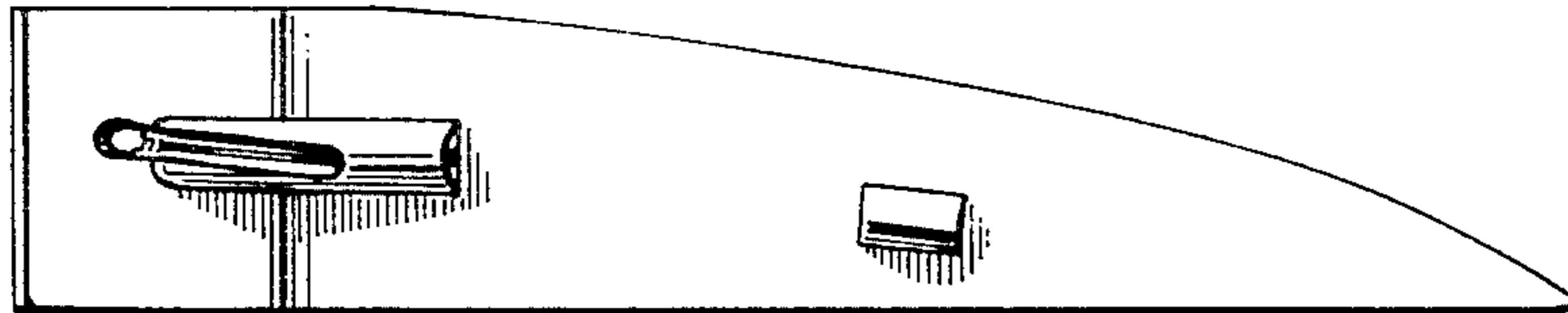


FIG. 2

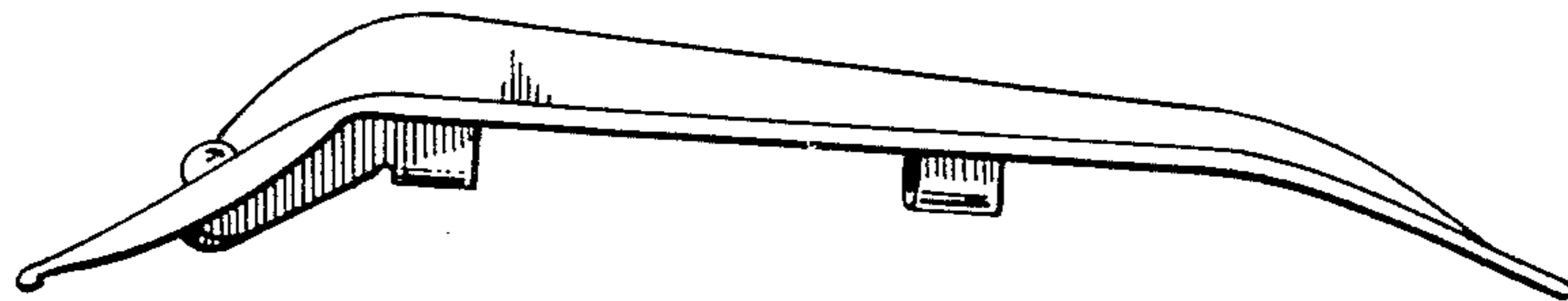


FIG. 3

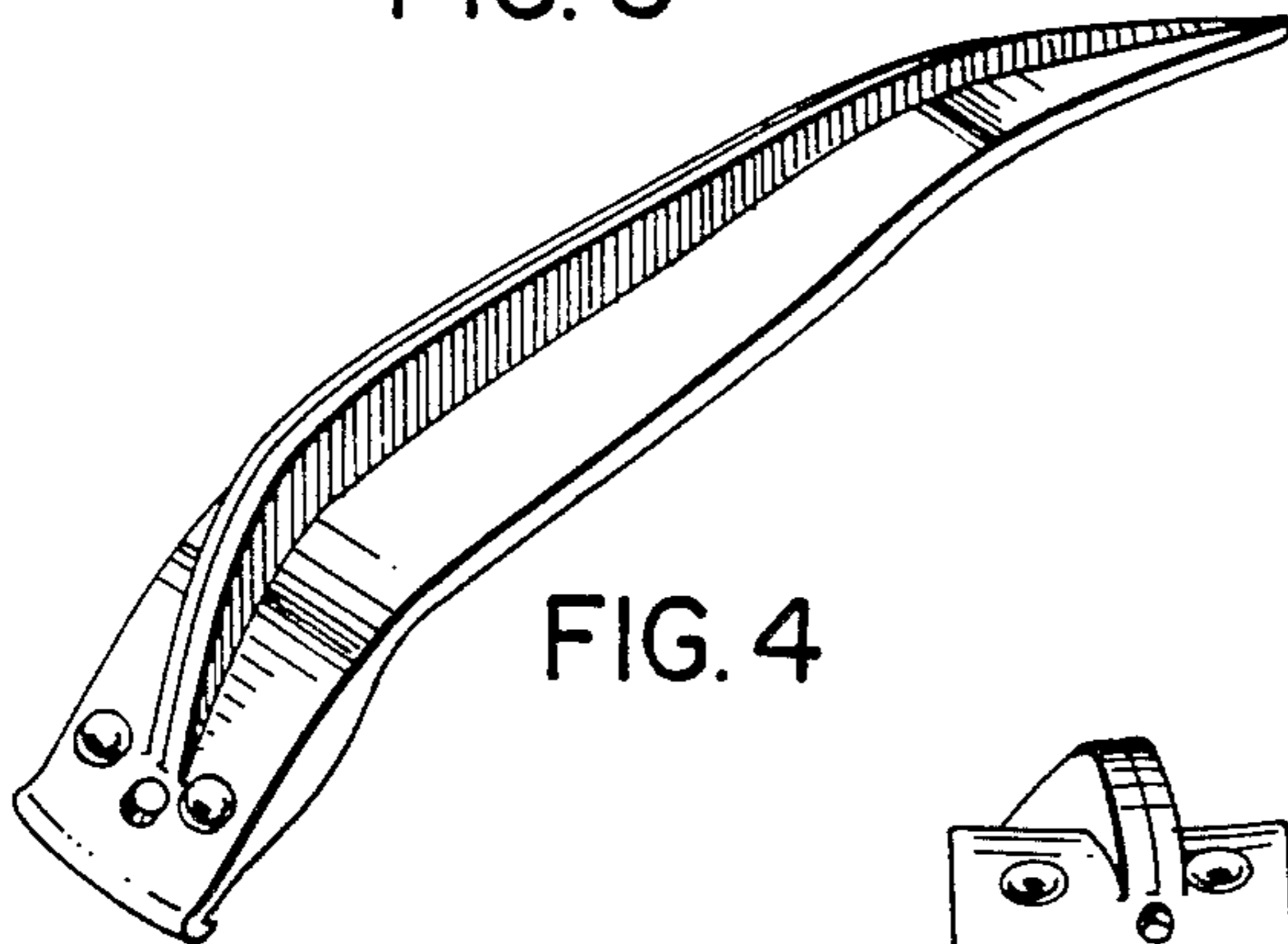


FIG. 4

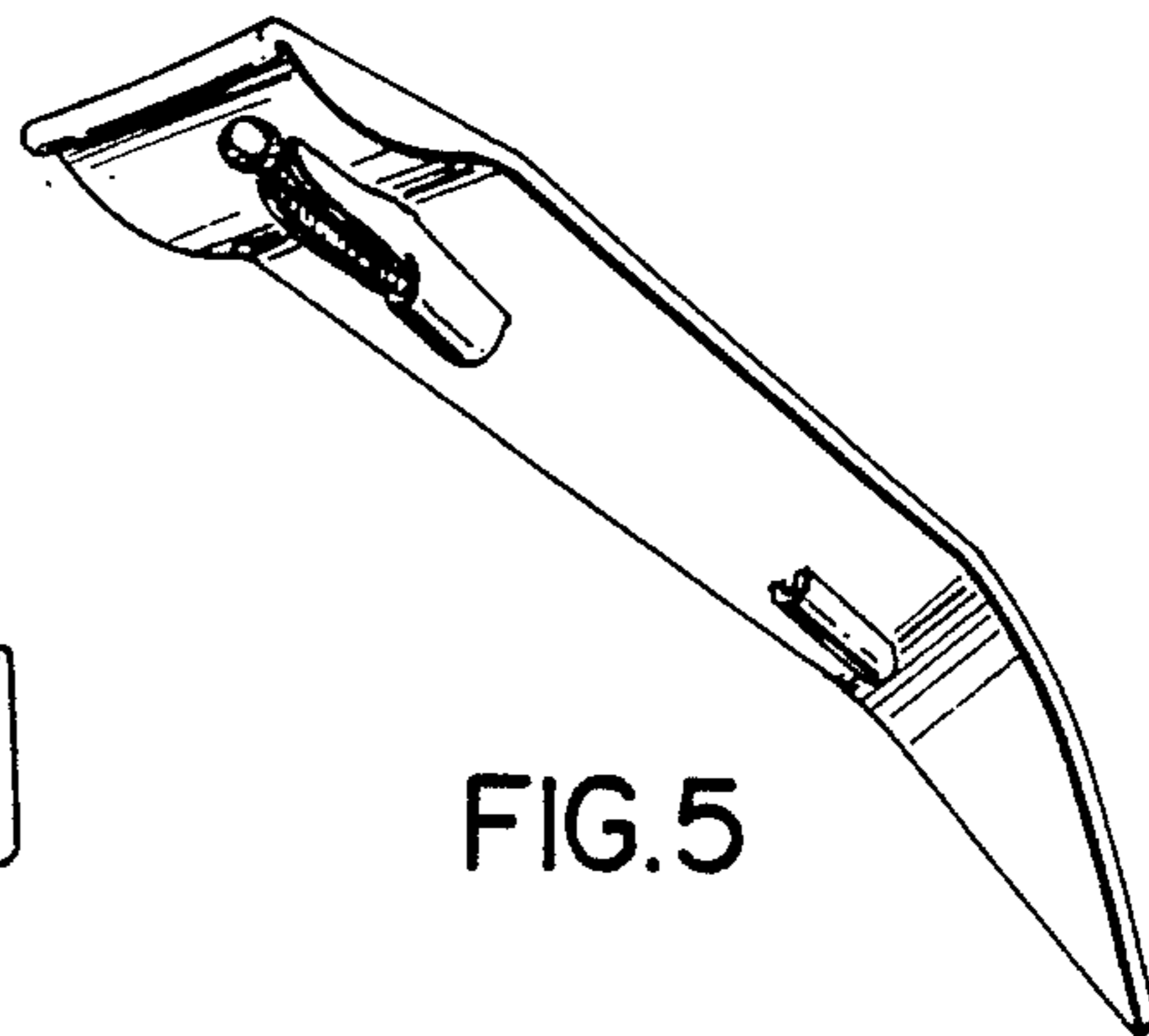


FIG. 5

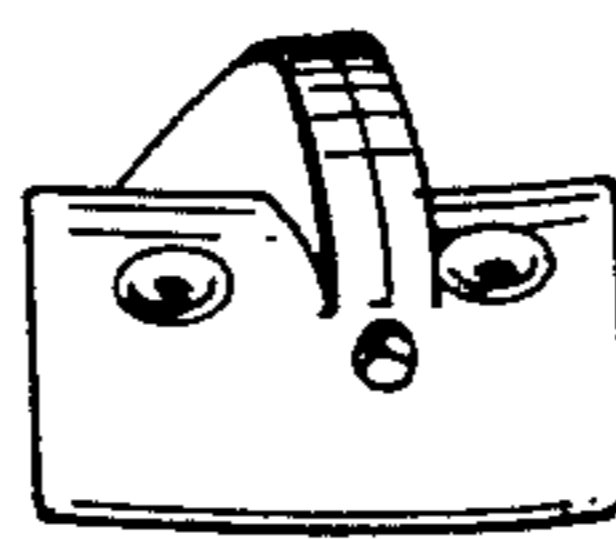


FIG. 6