

[54] TOY DASHBOARD

[75] Inventor: Howard S. Kamentsky, Buffalo, N.Y.

[73] Assignee: The Quaker Oats Company, Chicago, Ill.

[\*\*] Term: 14 Years

[21] Appl. No.: 693,742

[22] Filed: Jan. 23, 1985

[52] U.S. Cl. .... D21/142

[58] Field of Search ..... 434/29, 62; D19/63, D19/59, 62; D21/59, 141, 142; 446/7, 491

[56] References Cited

U.S. PATENT DOCUMENTS

- D. 257,780 1/1981 Strauss ..... D21/142
- D. 263,406 3/1982 Orenstein ..... D21/142
- D. 266,097 9/1982 Klawitter ..... D19/63

- D. 274,447 6/1984 Appel et al. .... D21/142
- D. 275,023 8/1984 Nottall ..... D21/142
- D. 278,644 4/1985 Nakao et al. .... D21/142
- 3,650,047 3/1972 Ratcliffe ..... 434/62

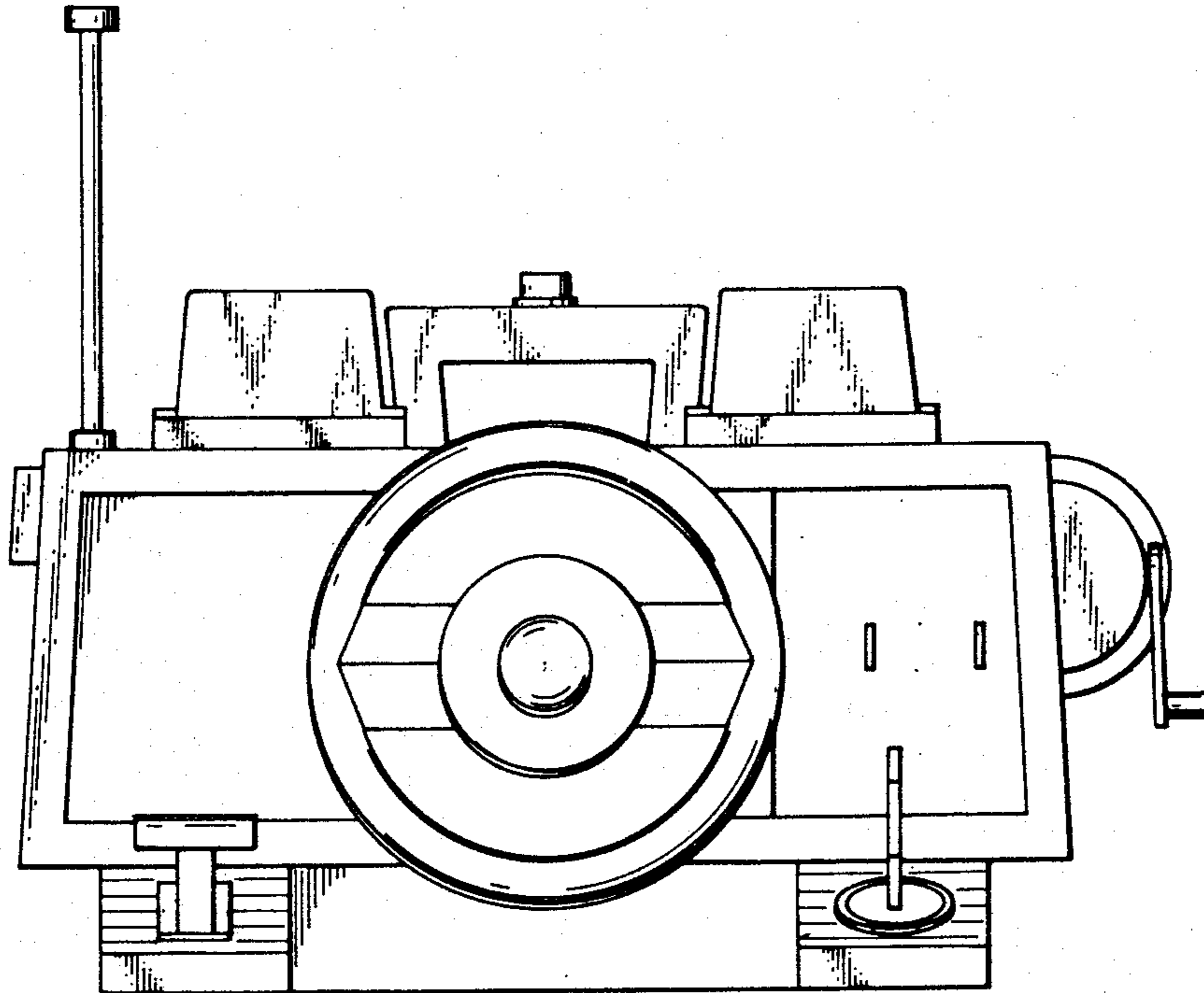
Primary Examiner—Charles A. Rademaker  
Attorney, Agent, or Firm—Cumpston & Shaw

[57] CLAIM

The ornamental design for a toy dashboard, substantially as shown and described.

DESCRIPTION

FIG. 1 is a front elevational view of a toy dashboard showing my new design;  
 FIG. 2 is a top plan view thereof;  
 FIG. 3 is a rear elevational view thereof;  
 FIG. 4 is a left-side elevational view thereof;  
 FIG. 5 is a right-side elevational view thereof; and  
 FIG. 6 is a bottom plan view thereof.



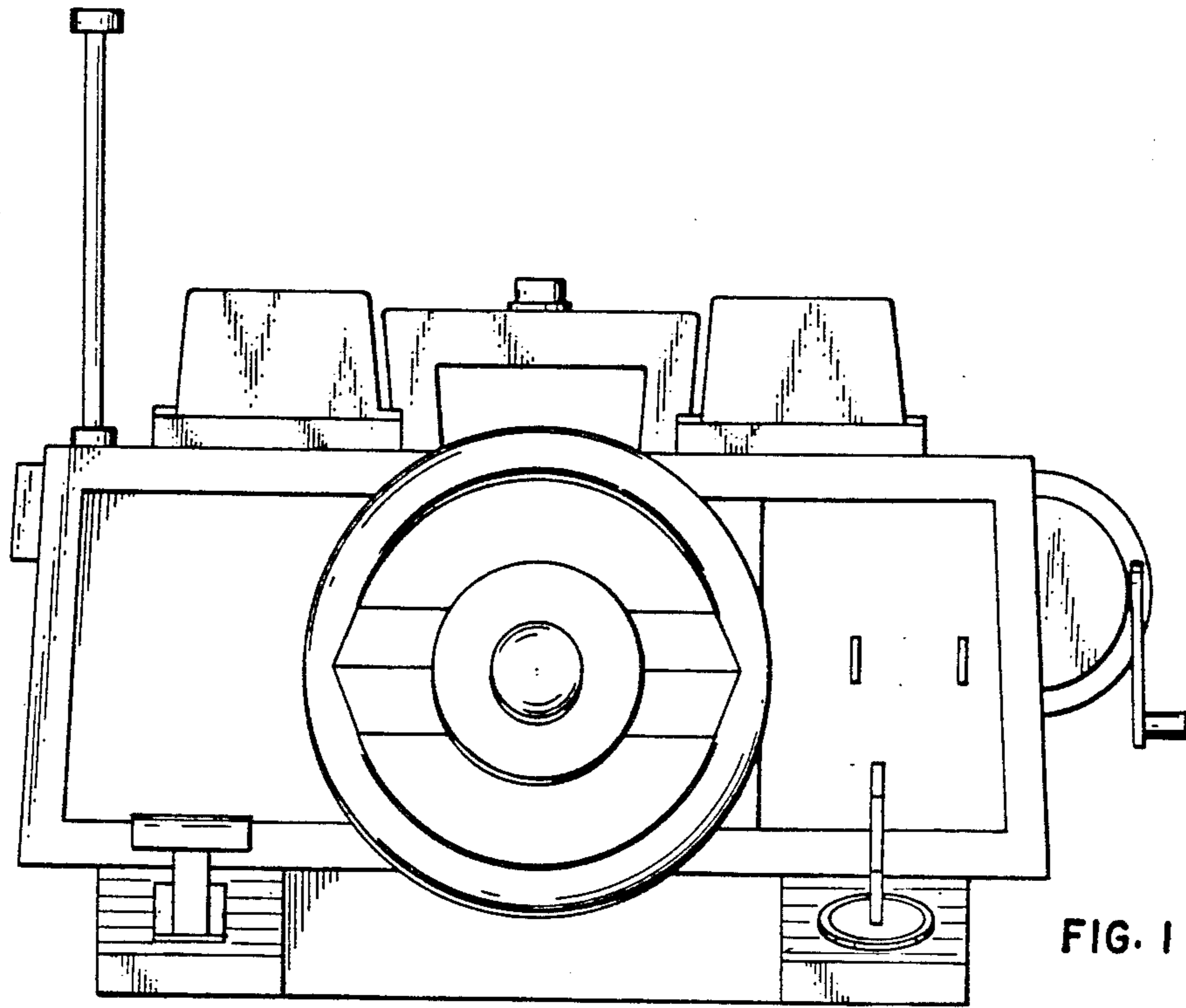


FIG. 1

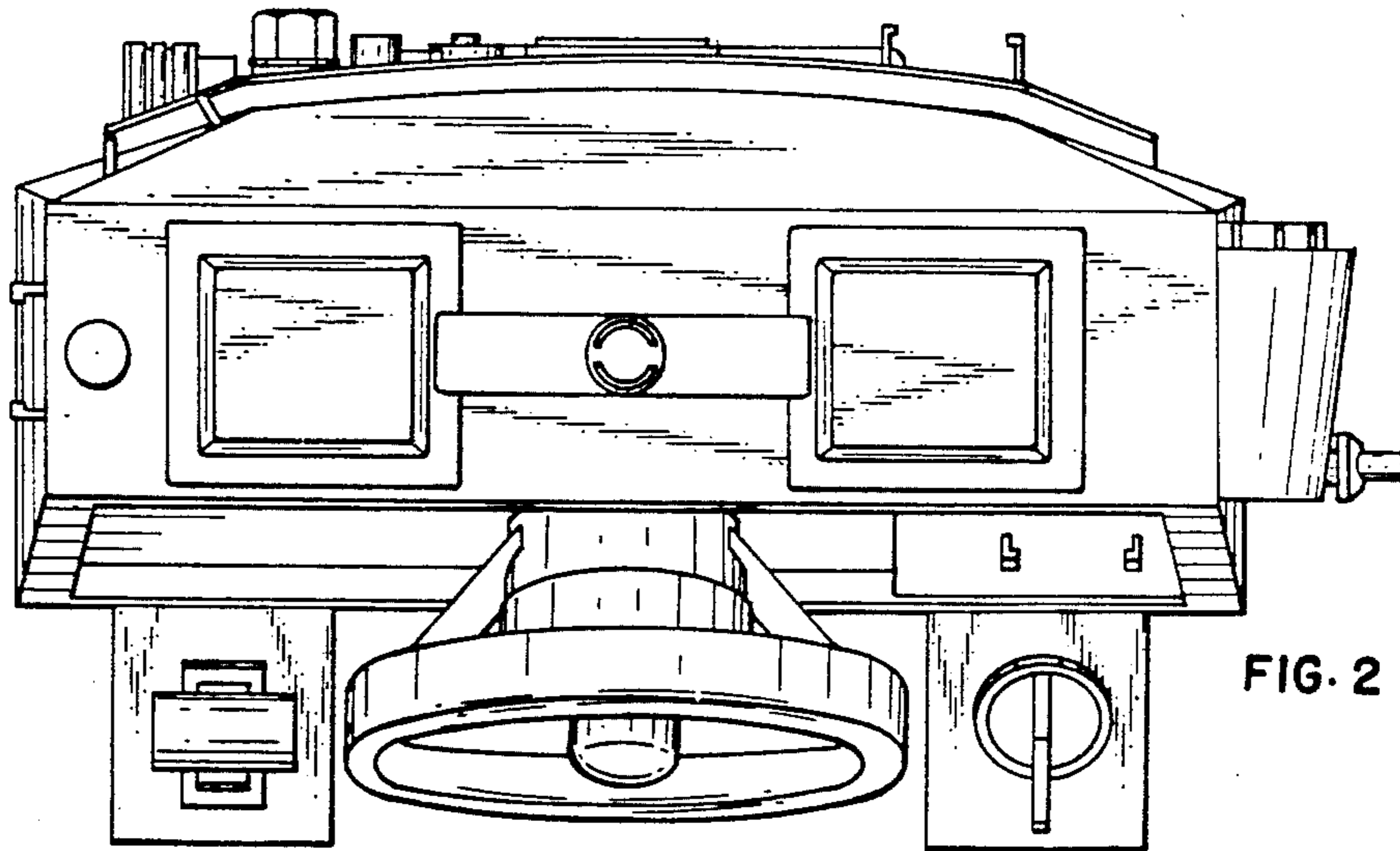


FIG. 2

