

[54] TOY LAWNMOWER

4,295,294 10/1981 Rosenwinkel et al. 446/144

[75] Inventors: Larry R. Nagode; David E. Moomaw, both of East Aurora, N.Y.

[73] Assignee: The Quaker Oats Company, Chicago, Ill.

[**] Term: 14 Years

[21] Appl. No.: 693,784

[22] Filed: Jan. 23, 1985

[52] U.S. Cl. D21/124

[58] Field of Search D15/14; 446/144, 491; D21/109, 120, 121, 122, 124

[56] References Cited

U.S. PATENT DOCUMENTS

D. 173,099	9/1954	Butler	D15/14
D. 207,721	5/1967	Stewart	D15/14
2,781,609	2/1957	Allen	446/144
3,292,300	12/1966	Lescher et al.	446/144

OTHER PUBLICATIONS

Home Furnishings Daily, 11-21-1960, p. 32, Lawnmower.

Popular Mechanics, 3-1977, p. 118, "AMF" Lawnmower.

Primary Examiner—Charles A. Rademaker
Attorney, Agent, or Firm—Cumpston & Shaw

[57] CLAIM

The ornamental design for a toy lawnmower, substantially as shown and described.

DESCRIPTION

FIG. 1 is a left side elevational view of a toy lawnmower showing our new design;

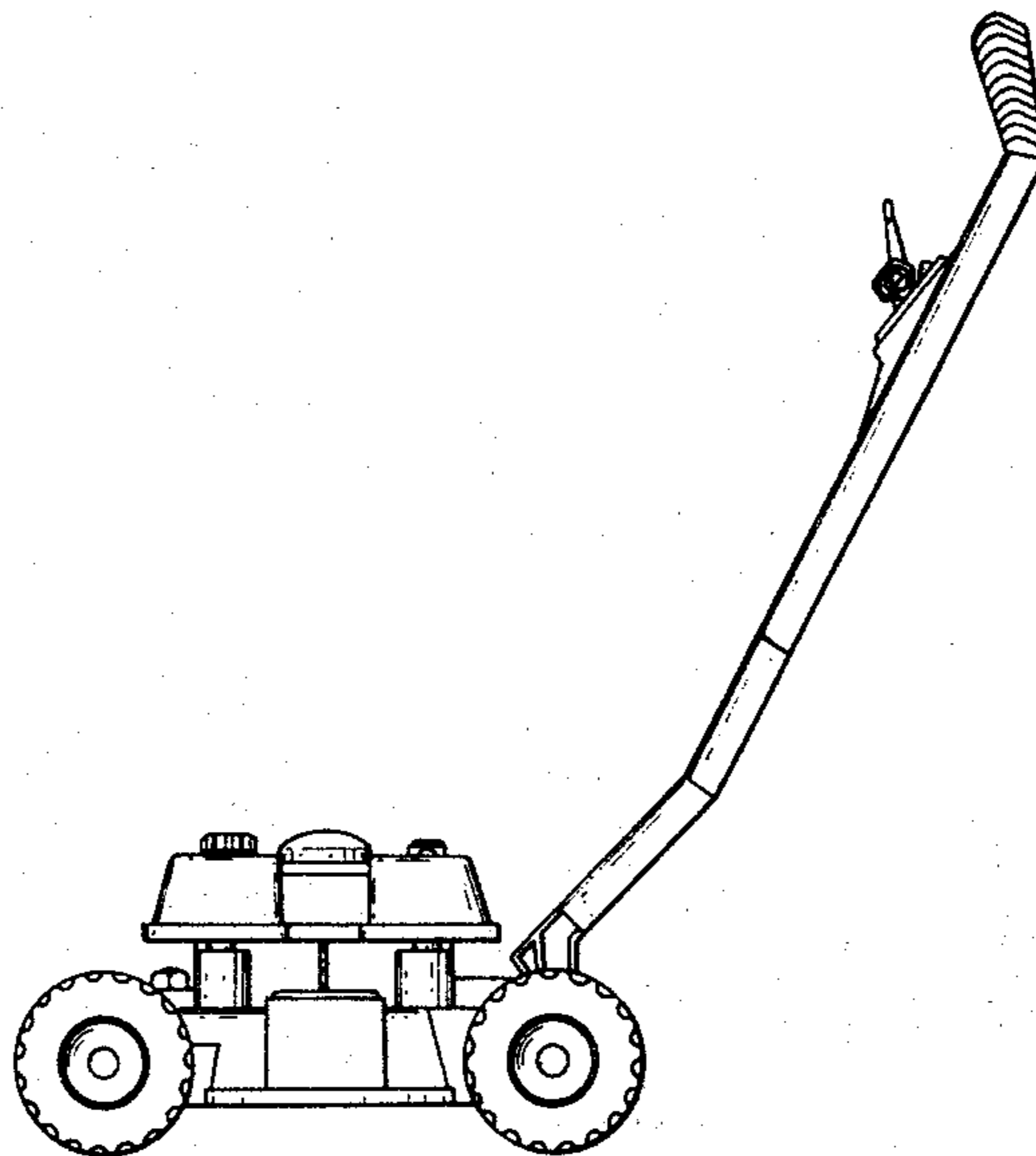
FIG. 2 is a top plan view thereof;

FIG. 3 is a right side elevational view thereof;

FIG. 4 is a bottom plan view thereof;

FIG. 5 is a front elevational view thereof; and

FIG. 6 is a rear elevational view thereof.



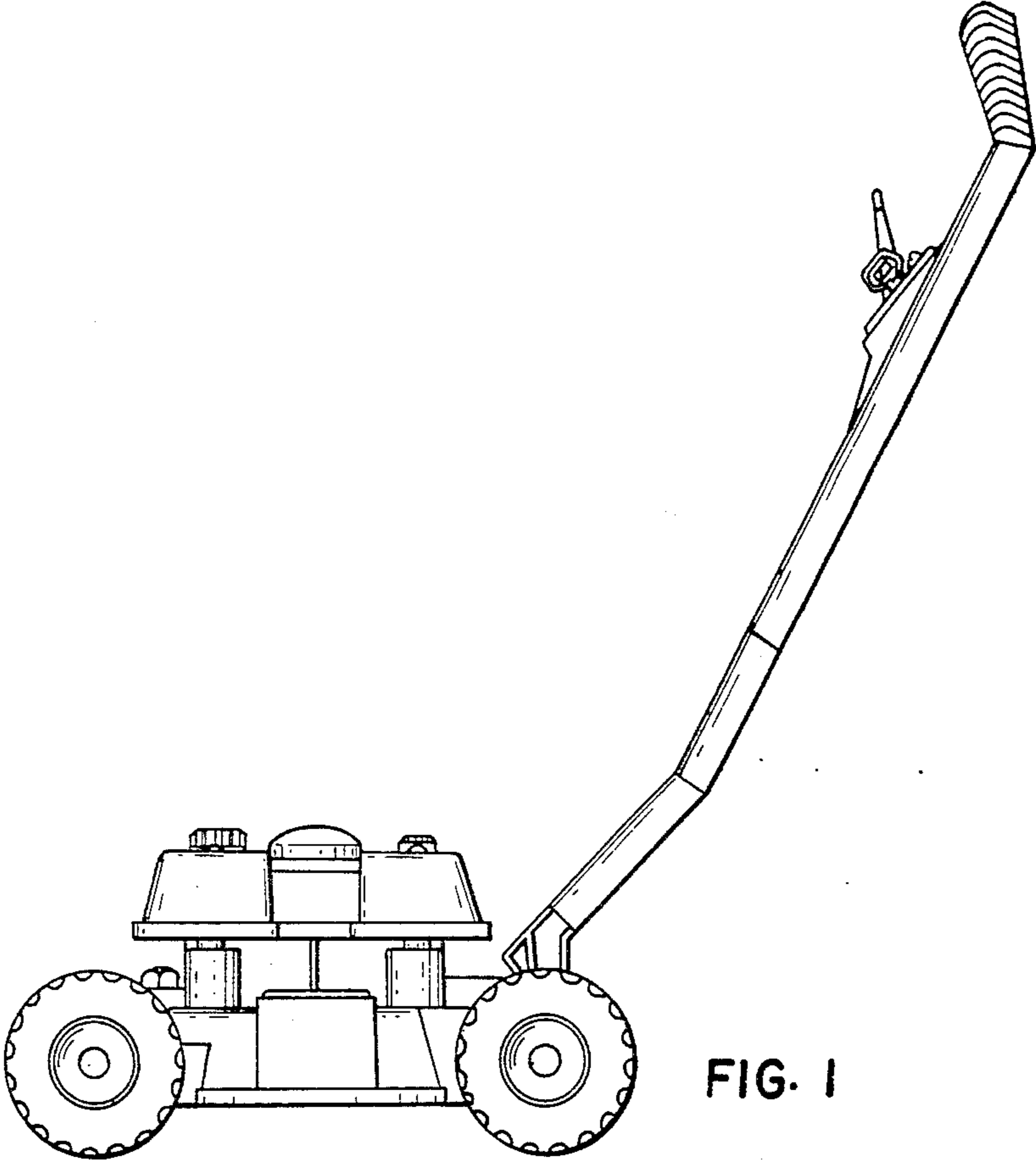


FIG. 1

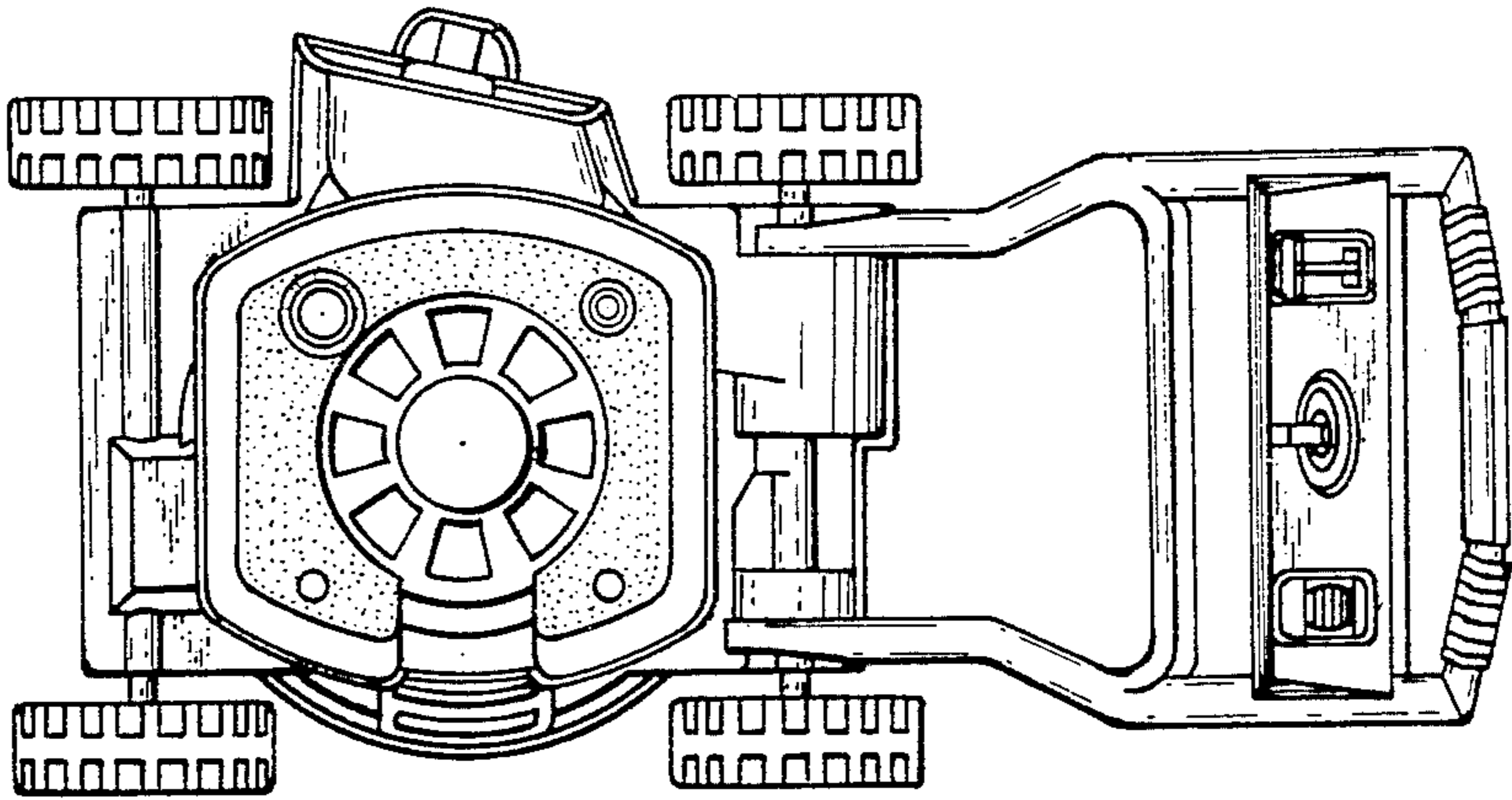


FIG. 2

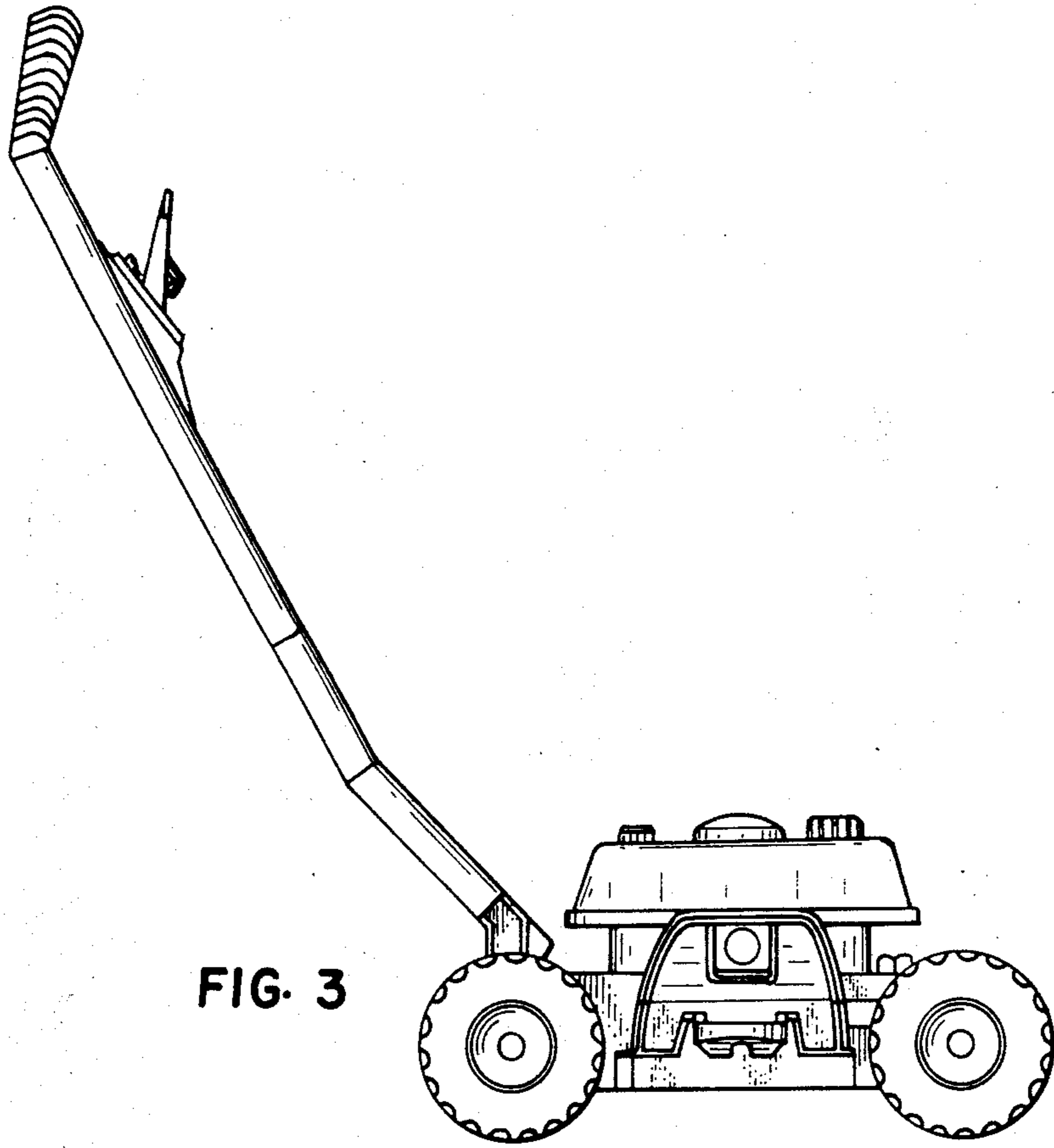


FIG. 3

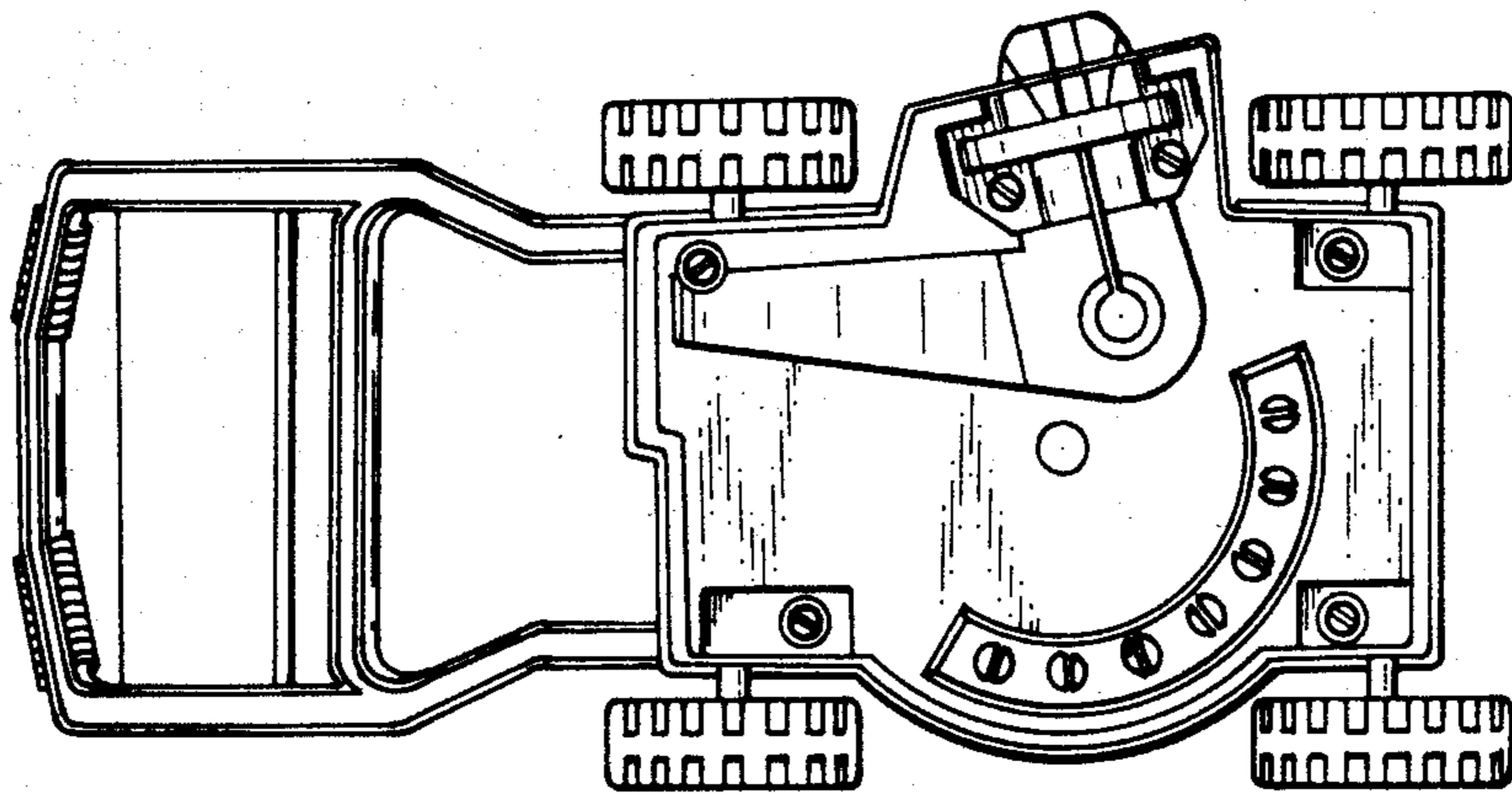


FIG. 4

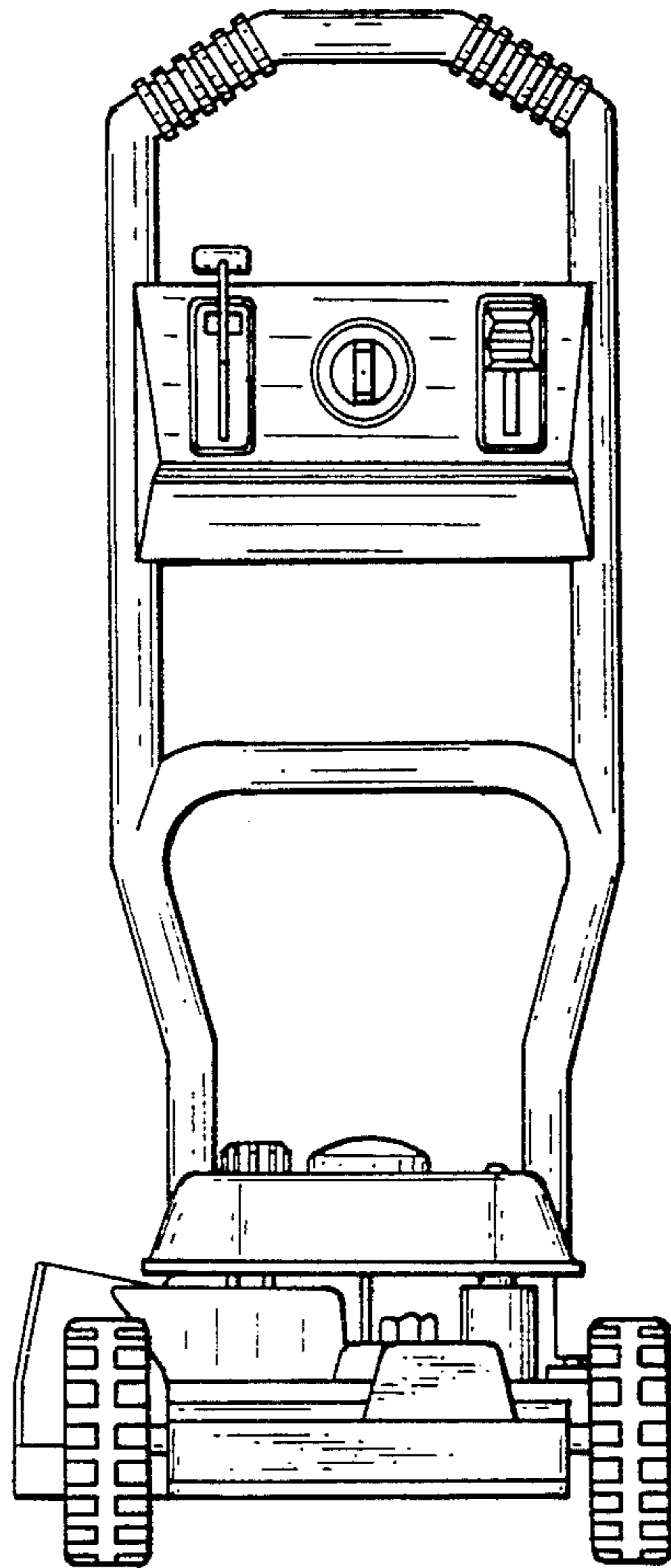


FIG. 5

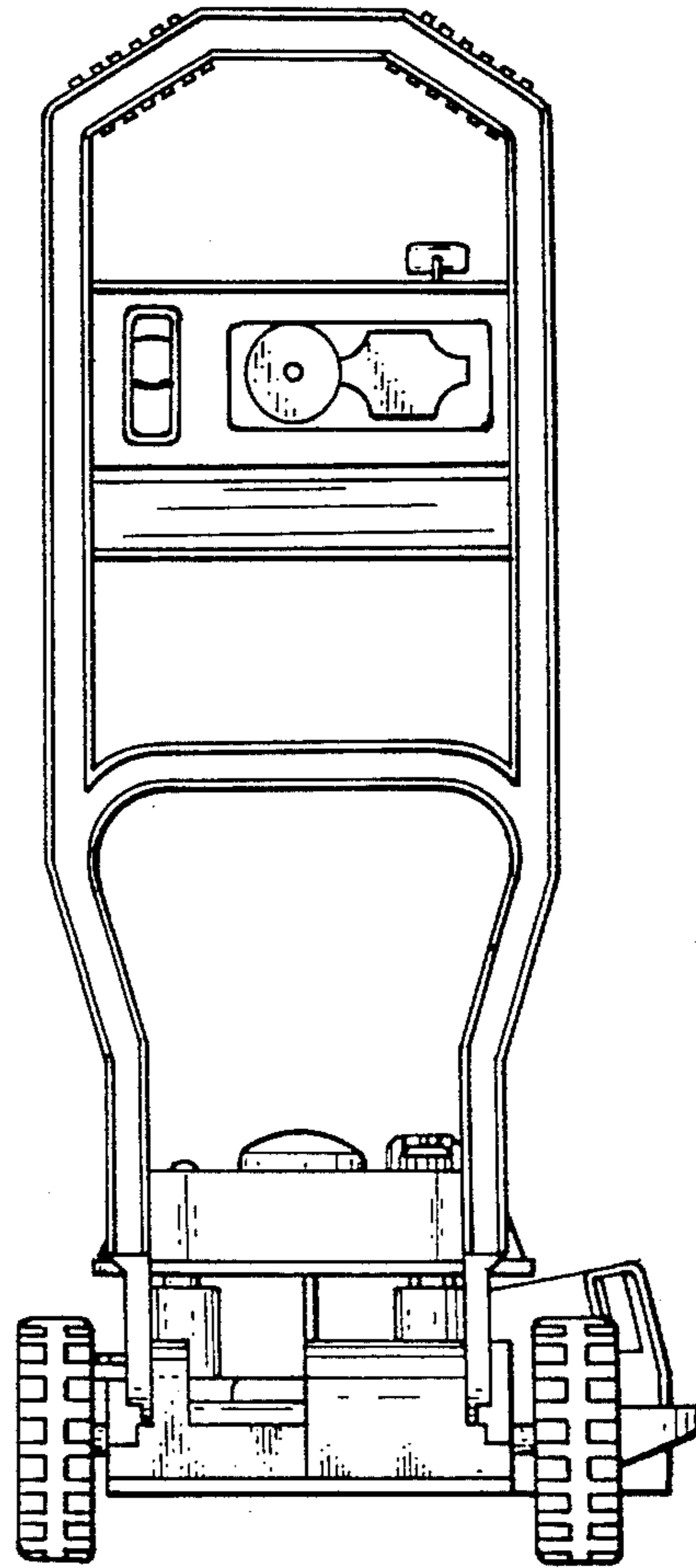


FIG. 6