

[54] **ELECTRONIC TYPEWRITER**

[75] **Inventors: Bernd Gubbe, Nuremberg; Klaus D. Krause, Dietenhofen, both of Fed. Rep. of Germany**

[73] **Assignee: Triumph-Adler A.G., Nuremberg, Fed. Rep. of Germany**

[**] **Term: 14 Years**

[21] **Appl. No.: 811,435**

[22] **Filed: Dec. 20, 1985**

[30] **Foreign Application Priority Data**

| | | |
|----------------------|-------------|------------------------------|
| Jul. 2, 1985 [CH] | Switzerland | DM/005492 |
| [52] U.S. Cl. | | D18/1 |
| [58] Field of Search | | D18/1, 2, 12; 400/689-694 |

[56] **References Cited**

U.S. PATENT DOCUMENTS

| | | | |
|------------|---------|-----------------|-------|
| D. 272,831 | 2/1984 | Iseki | D18/1 |
| D. 278,443 | 4/1985 | Morishita | D18/1 |
| D. 278,444 | 4/1985 | Miyamoto et al. | D18/1 |
| D. 281,509 | 11/1985 | Jolliffe | D18/1 |

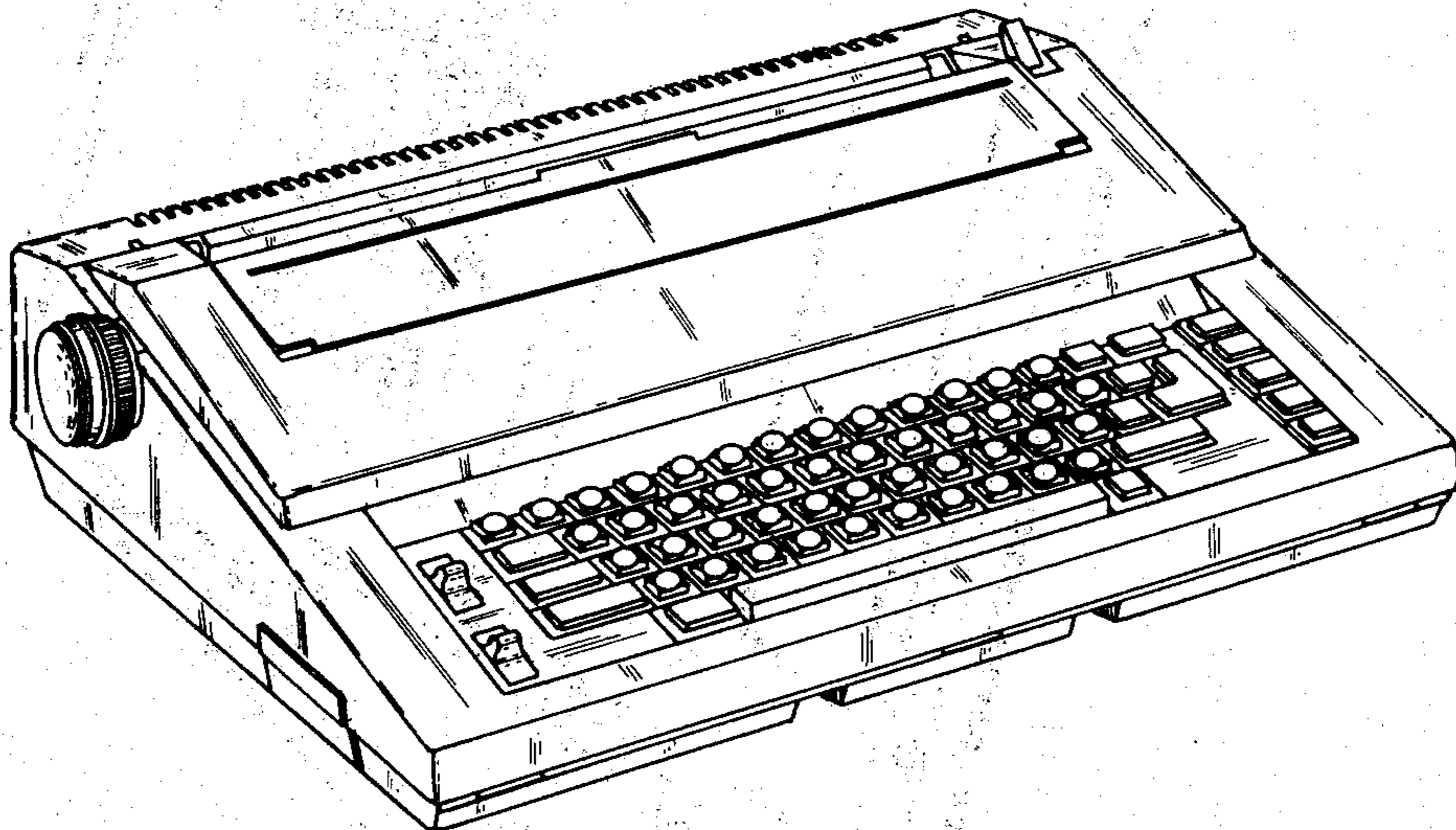
Primary Examiner—Louis S. Zarfes

[57] **CLAIM**

The ornamental design for an electronic typewriter, as shown.

DESCRIPTION

FIG. 1 is a perspective view of an electronic typewriter showing our new design;
 FIG. 2 is a top plan view thereof;
 FIG. 3 is a front perspective view thereof;
 FIG. 4 is a rear elevational view thereof;
 FIG. 5 is a left-side elevational view thereof; and
 FIG. 6 is a right-side elevational view thereof.



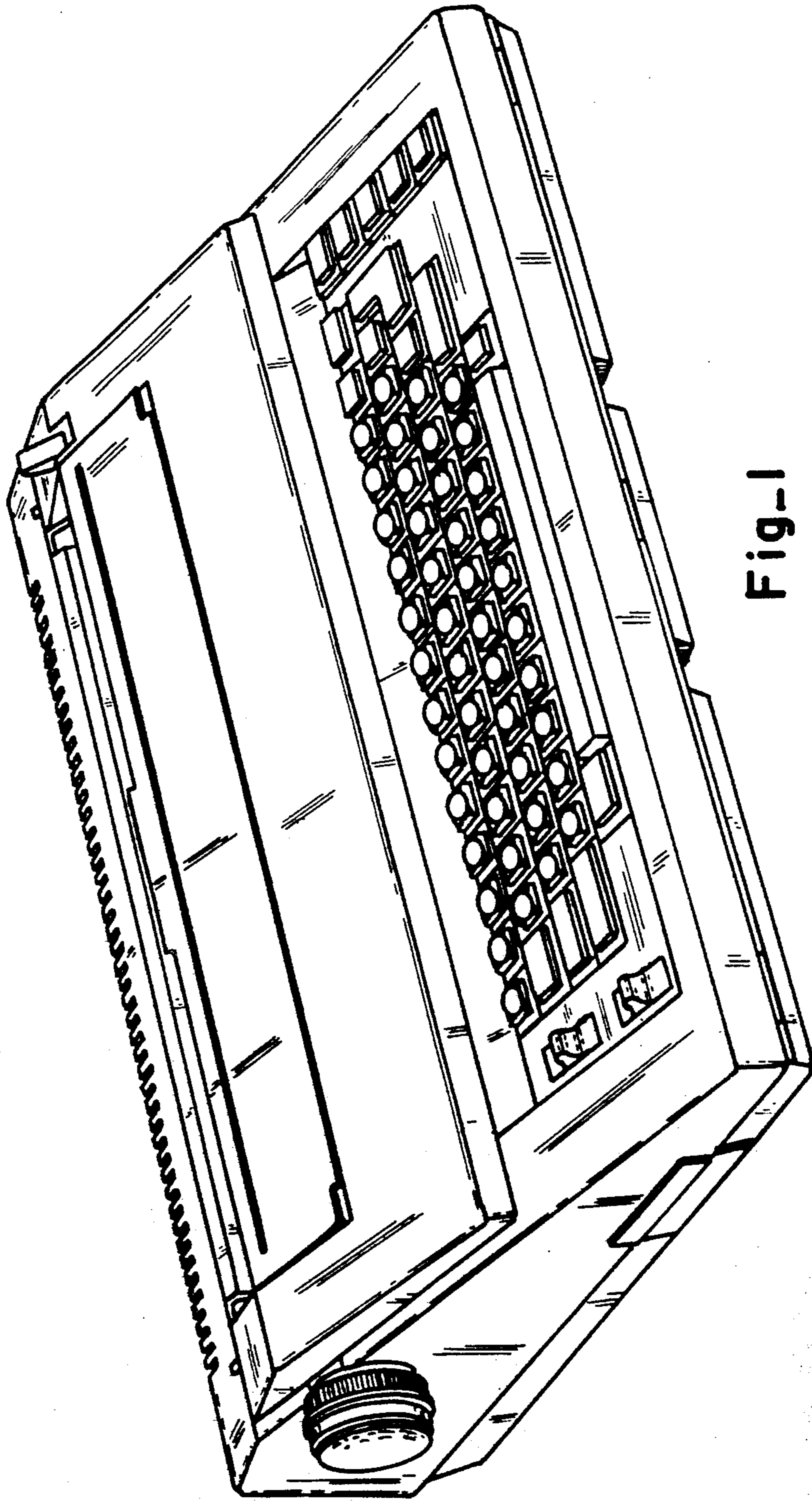
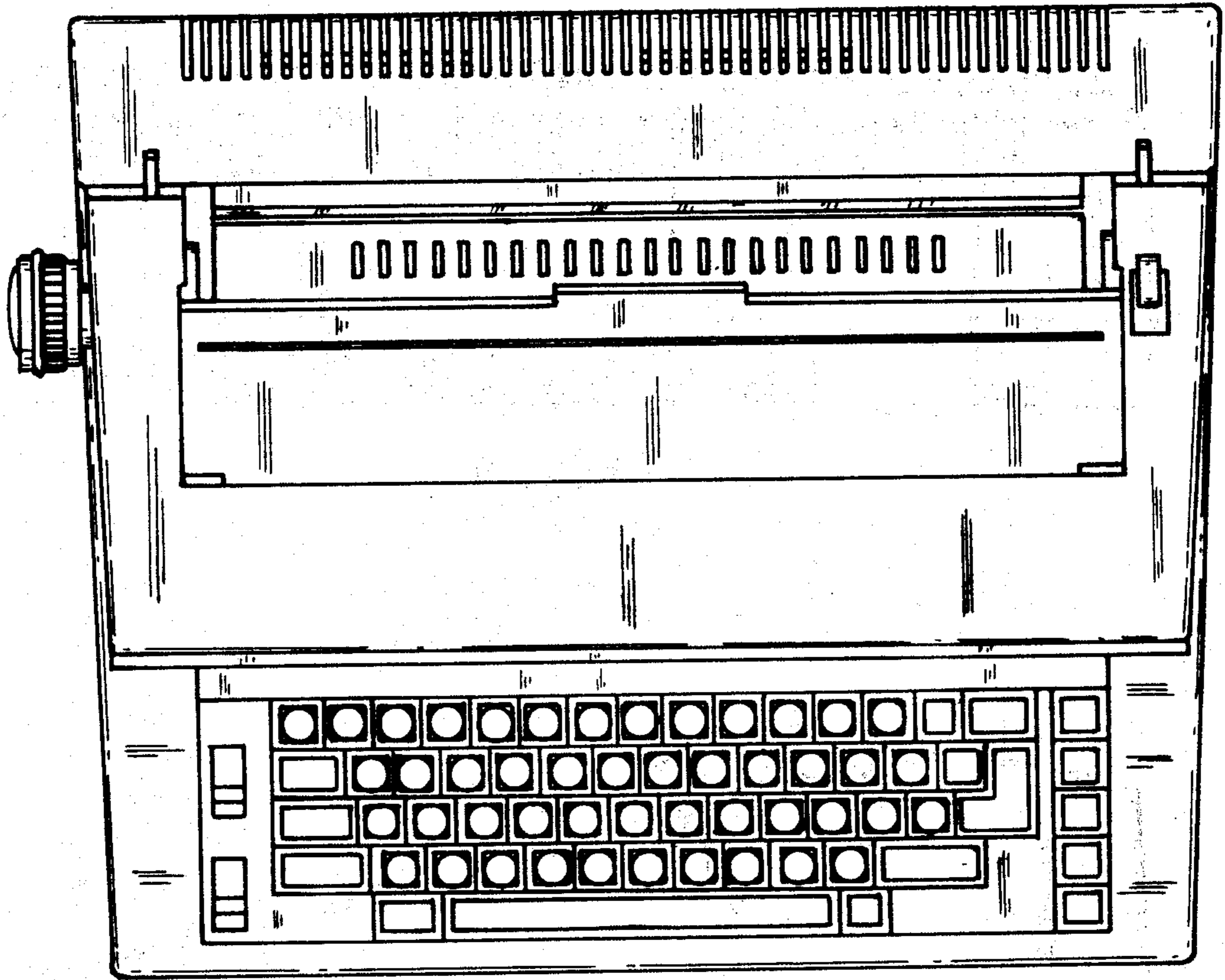
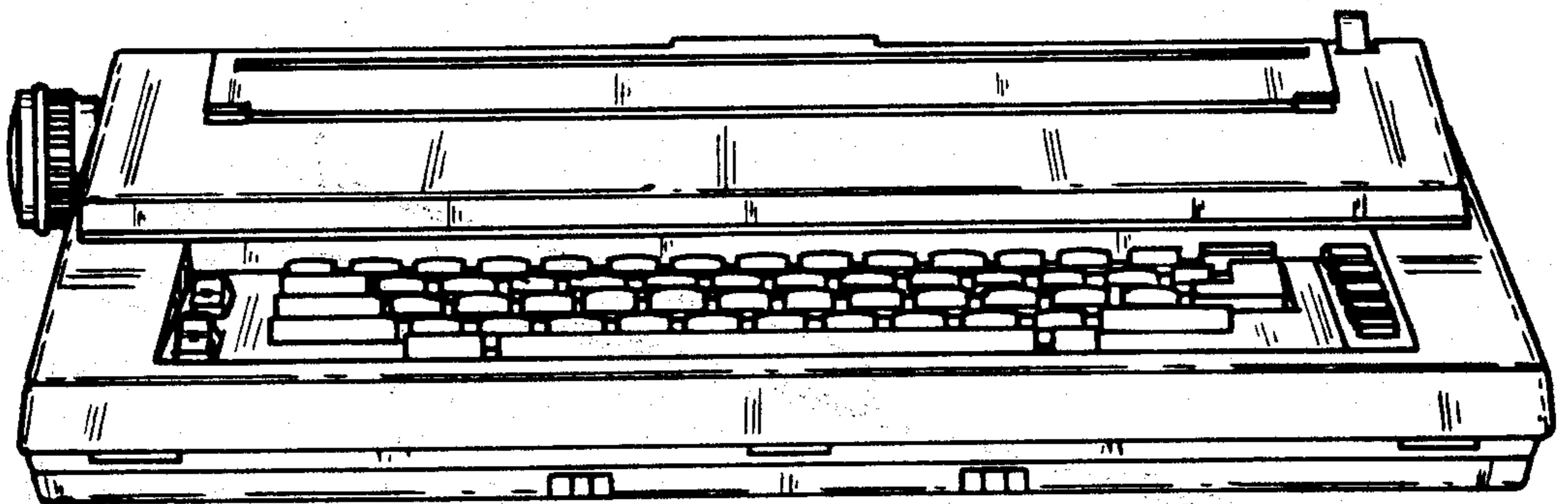


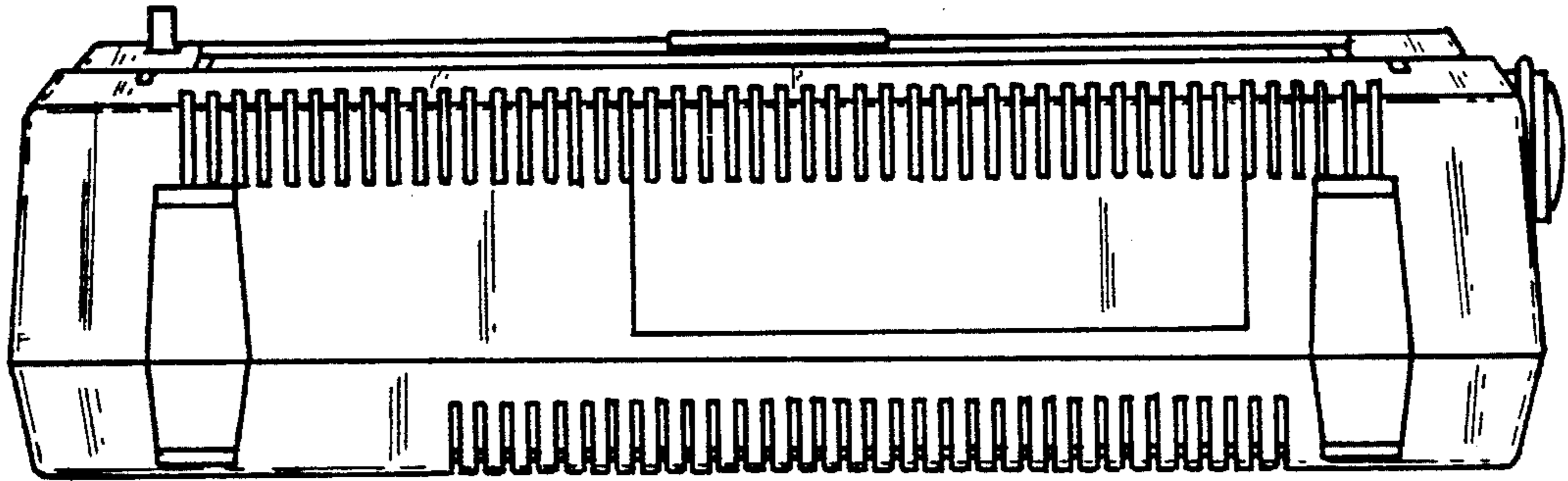
Fig.-1



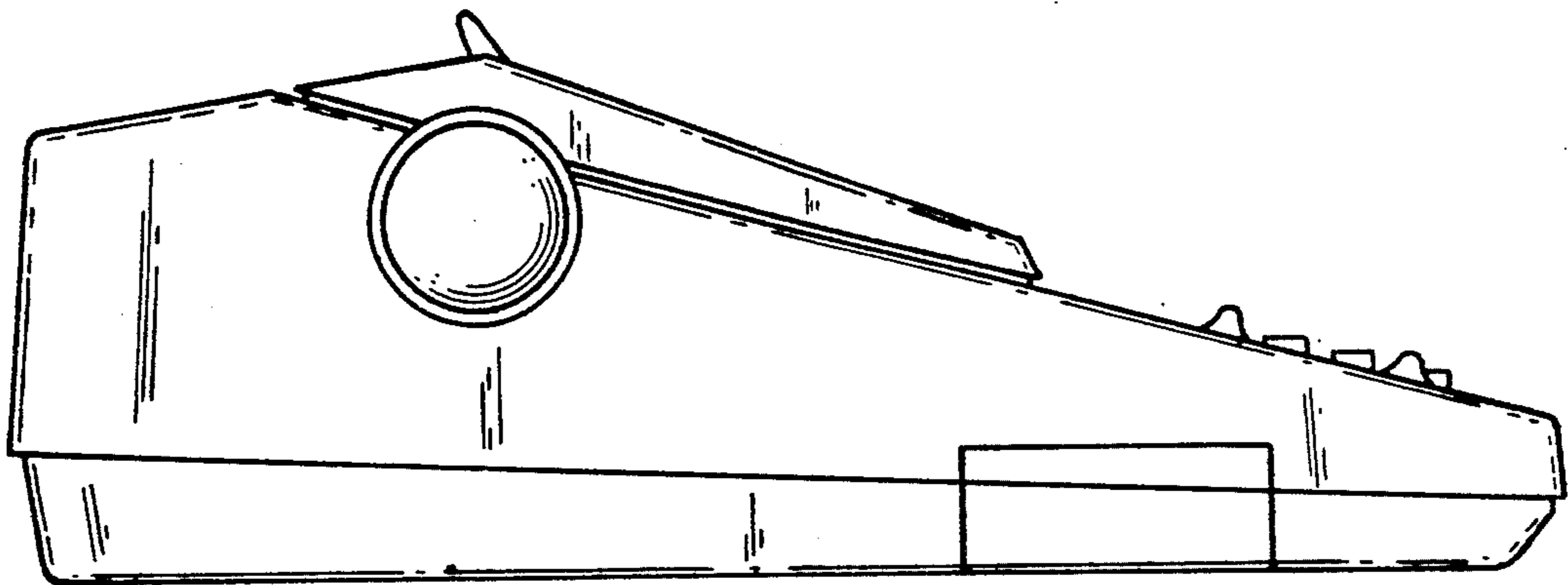
Fig_2



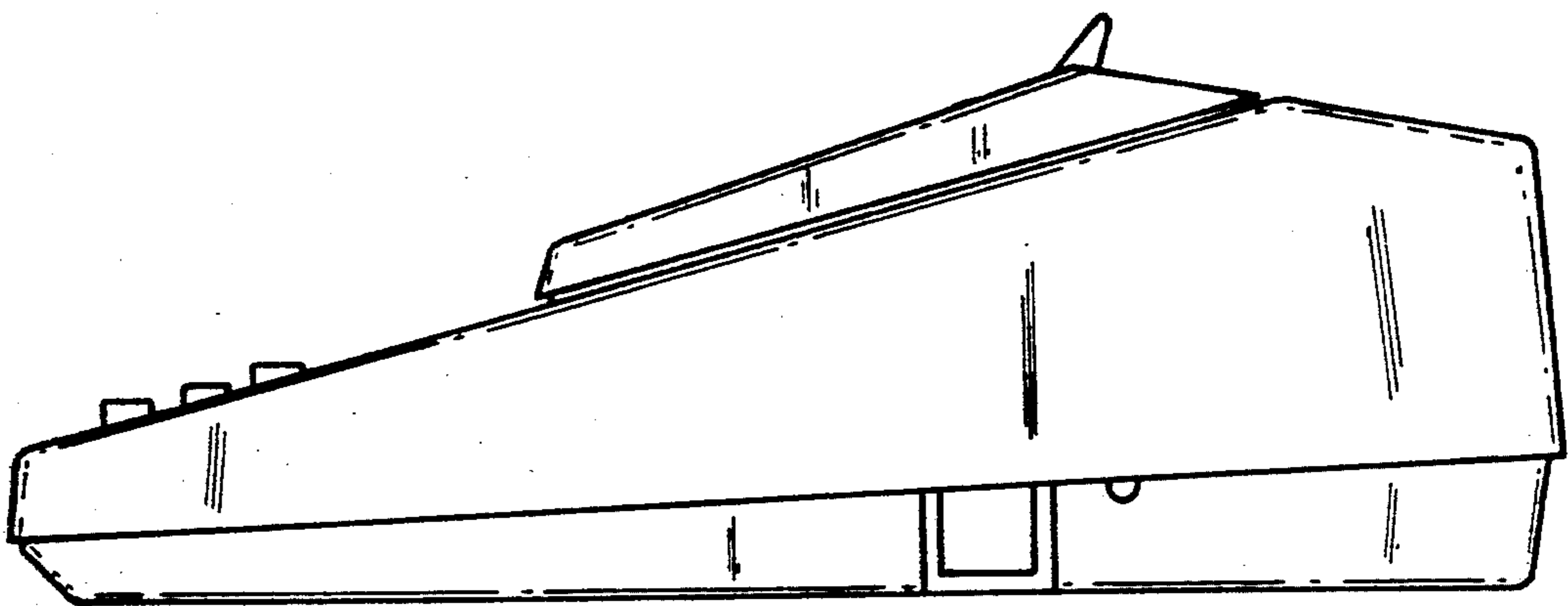
Fig_3



Fig_4



Fig_5



Fig_6