

[54] STEP FOR A VEHICLE

3,971,456 7/1976 Yonce ..... 182/90

[76] Inventor: **Ralph L. Walters**, 1109 38th Ave.,  
Meridian, Miss. 39305

*Primary Examiner*—James M. Gandy  
*Attorney, Agent, or Firm*—George A. Bode

[\*\*] Term: **14 Years**

[57] **CLAIM**

[21] Appl. No.: **680,470**

The ornamental design for a step for a vehicle, as shown.

[22] Filed: **Dec. 10, 1984**

[52] U.S. Cl. .... **D12/203**

[58] Field of Search ..... **D12/203; D25/62, 69;**  
**182/90; 280/163**

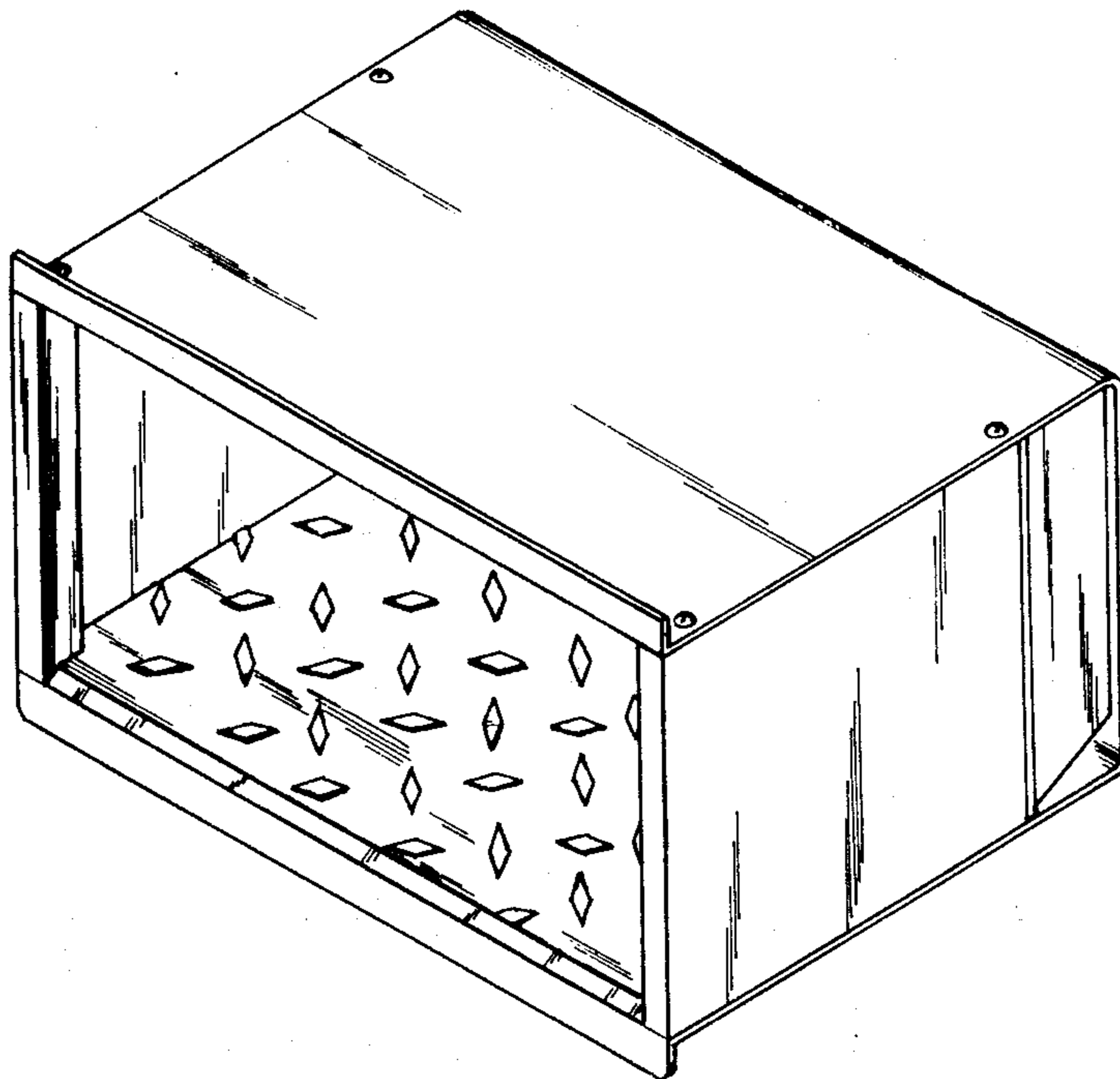
**DESCRIPTION**

FIG. 1 is a top perspective view of a step for a vehicle showing my new, original and ornamental design; FIG. 2 is a top plan view thereof; FIG. 3 is a rear elevation view thereof; FIG. 4 is a side elevation view thereof; FIG. 5 is a front elevation view thereof; FIG. 6 is a side elevation view thereof, the side being the side opposite that of FIG. 4; and FIG. 7 is a bottom plan view thereof.

[56] **References Cited**

**U.S. PATENT DOCUMENTS**

D. 266,593	10/1982	Nelles .....	D25/69
D. 278,329	4/1985	Baker et al. ....	D12/203
282,413	7/1883	Thompson .....	182/90
3,171,671	3/1965	Cornett .....	D12/203



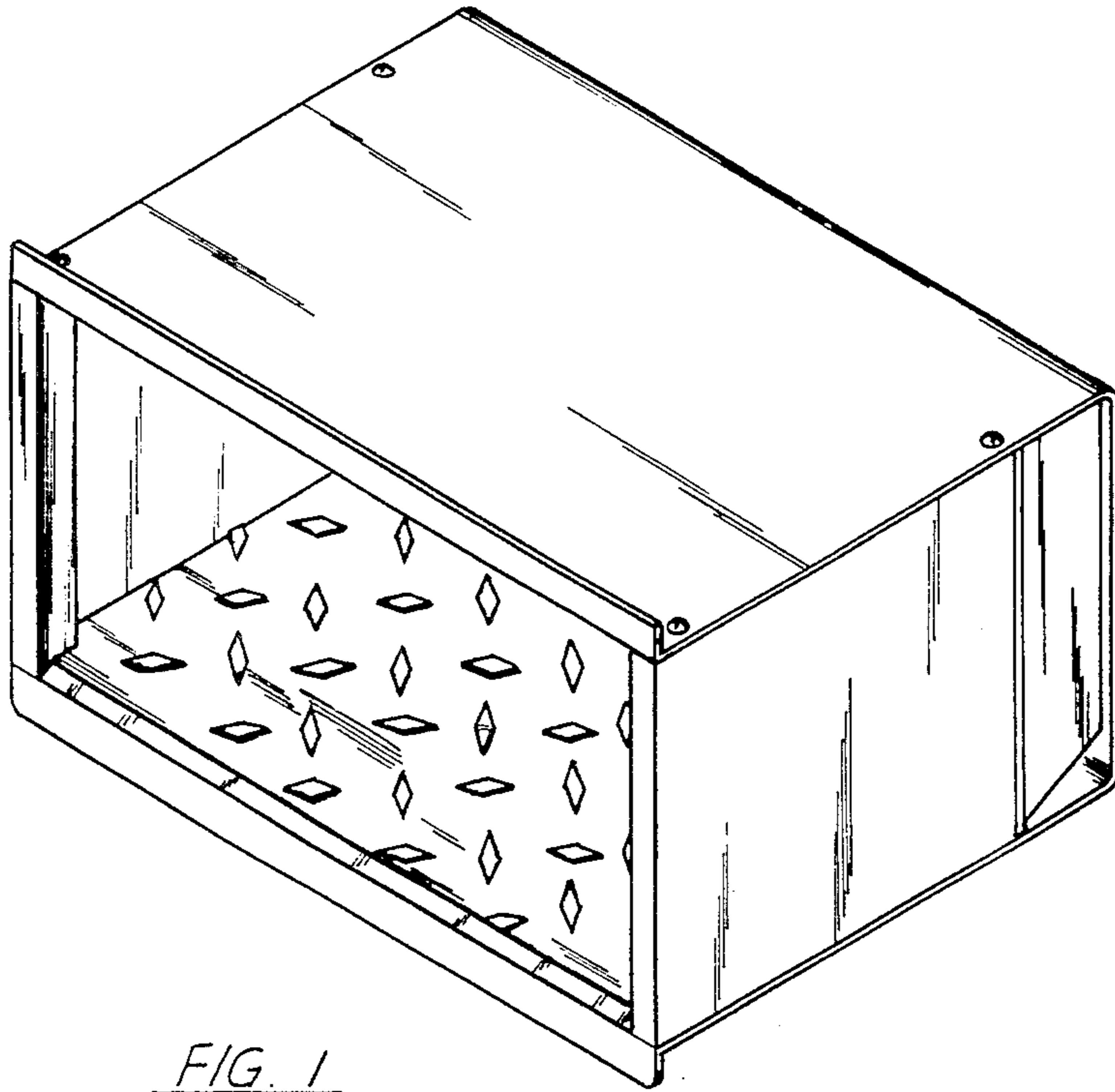


FIG. 1

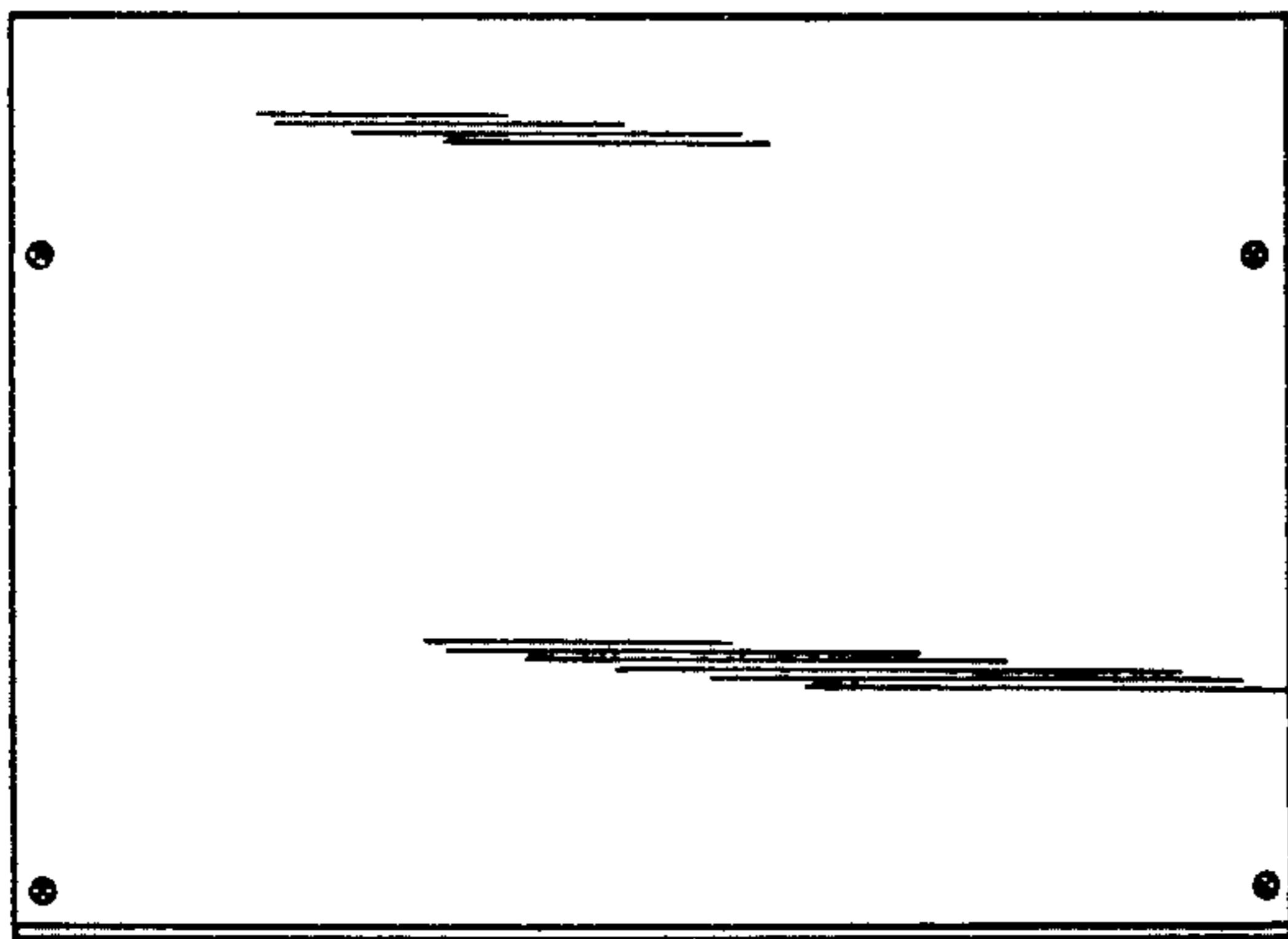


FIG. 2

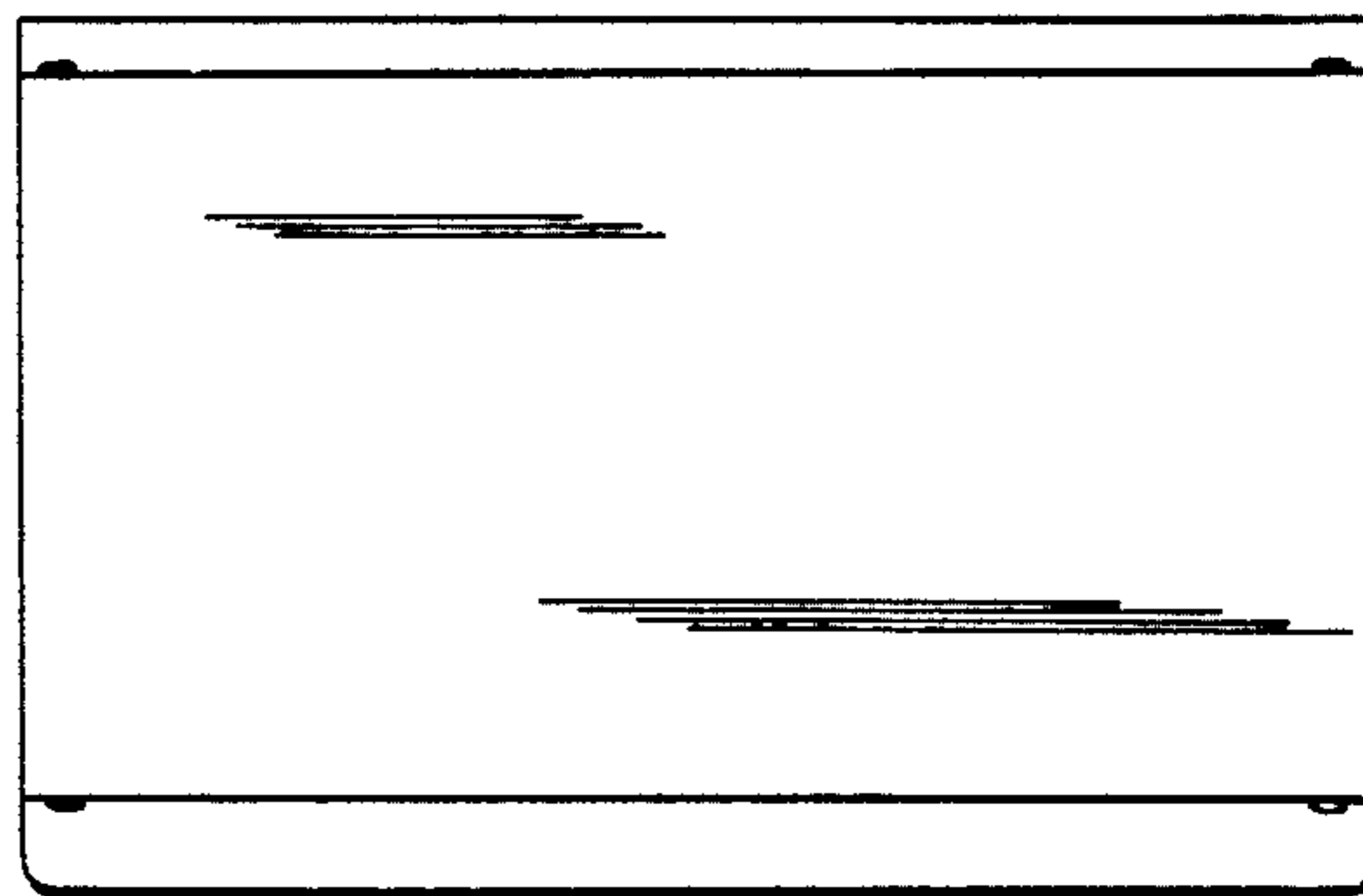


FIG. 3

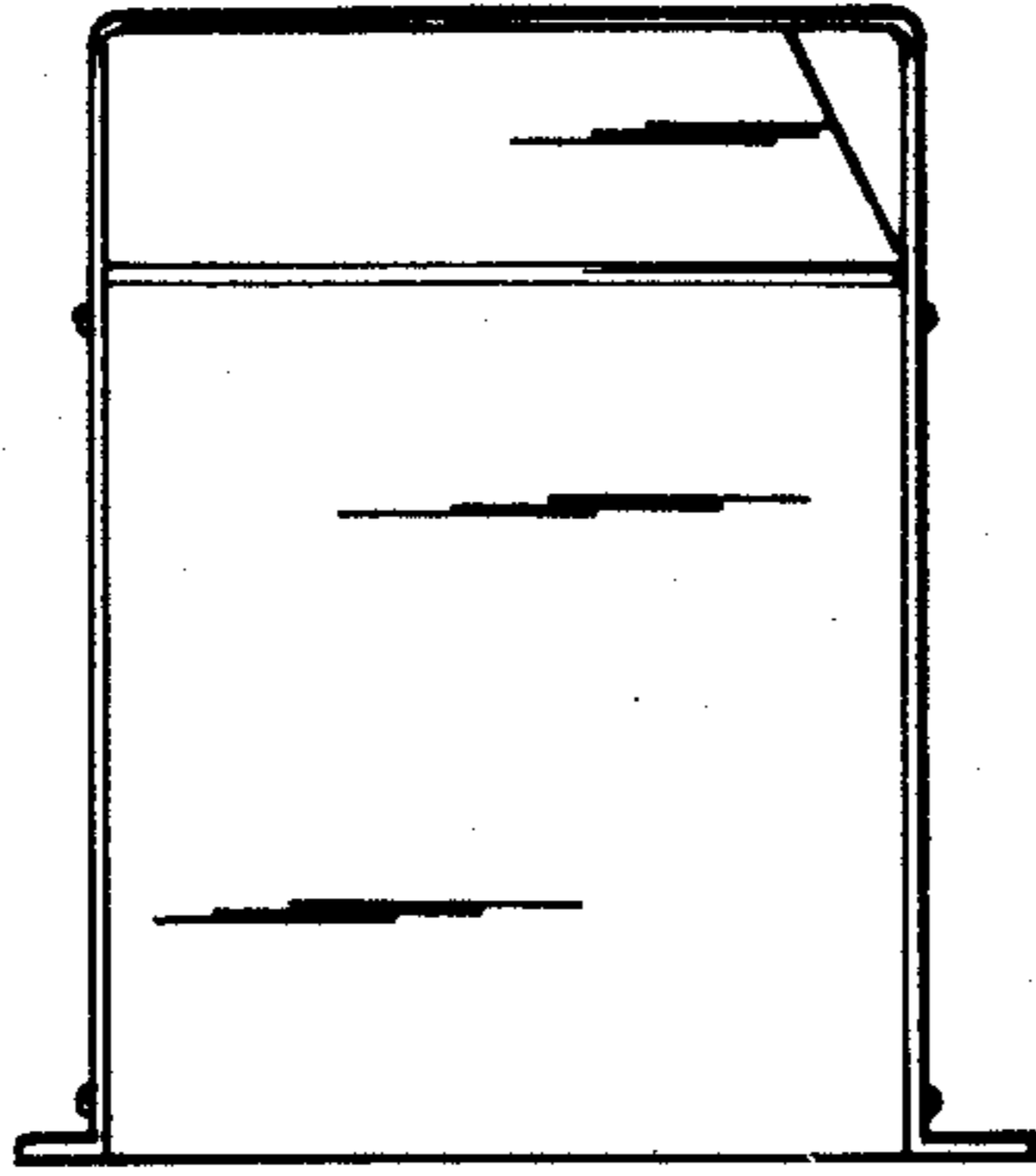


FIG. 6

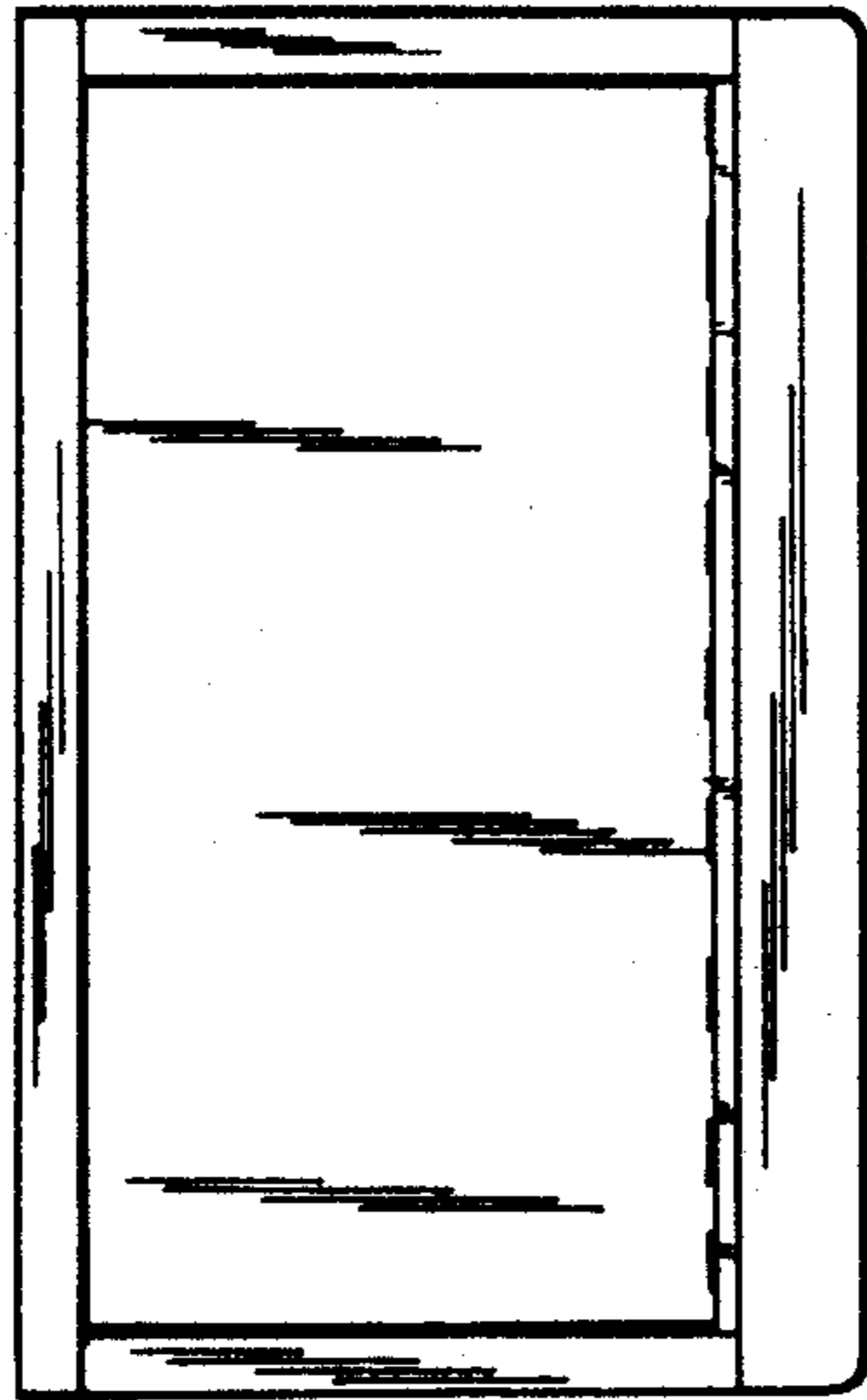


FIG. 5

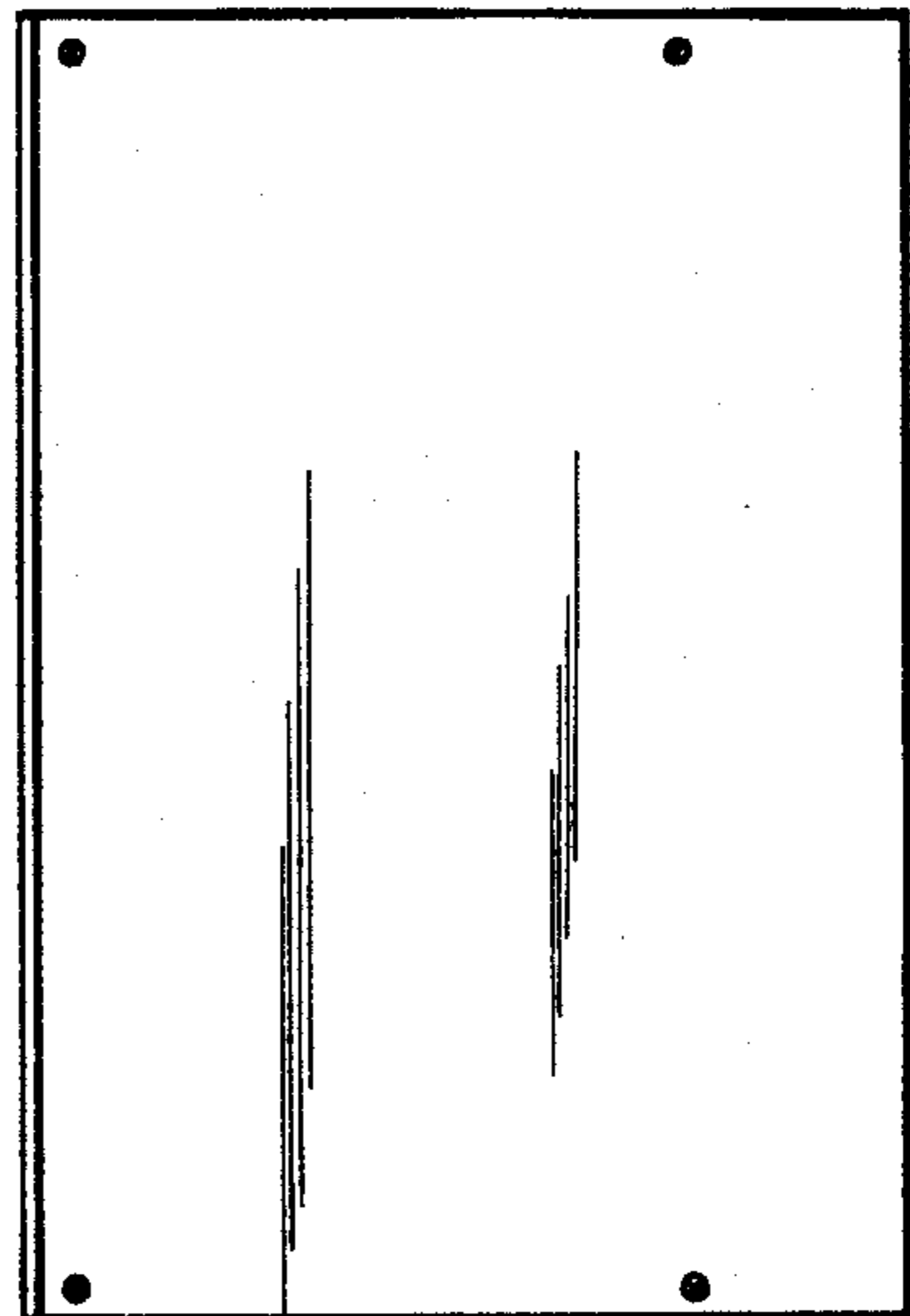


FIG. 7

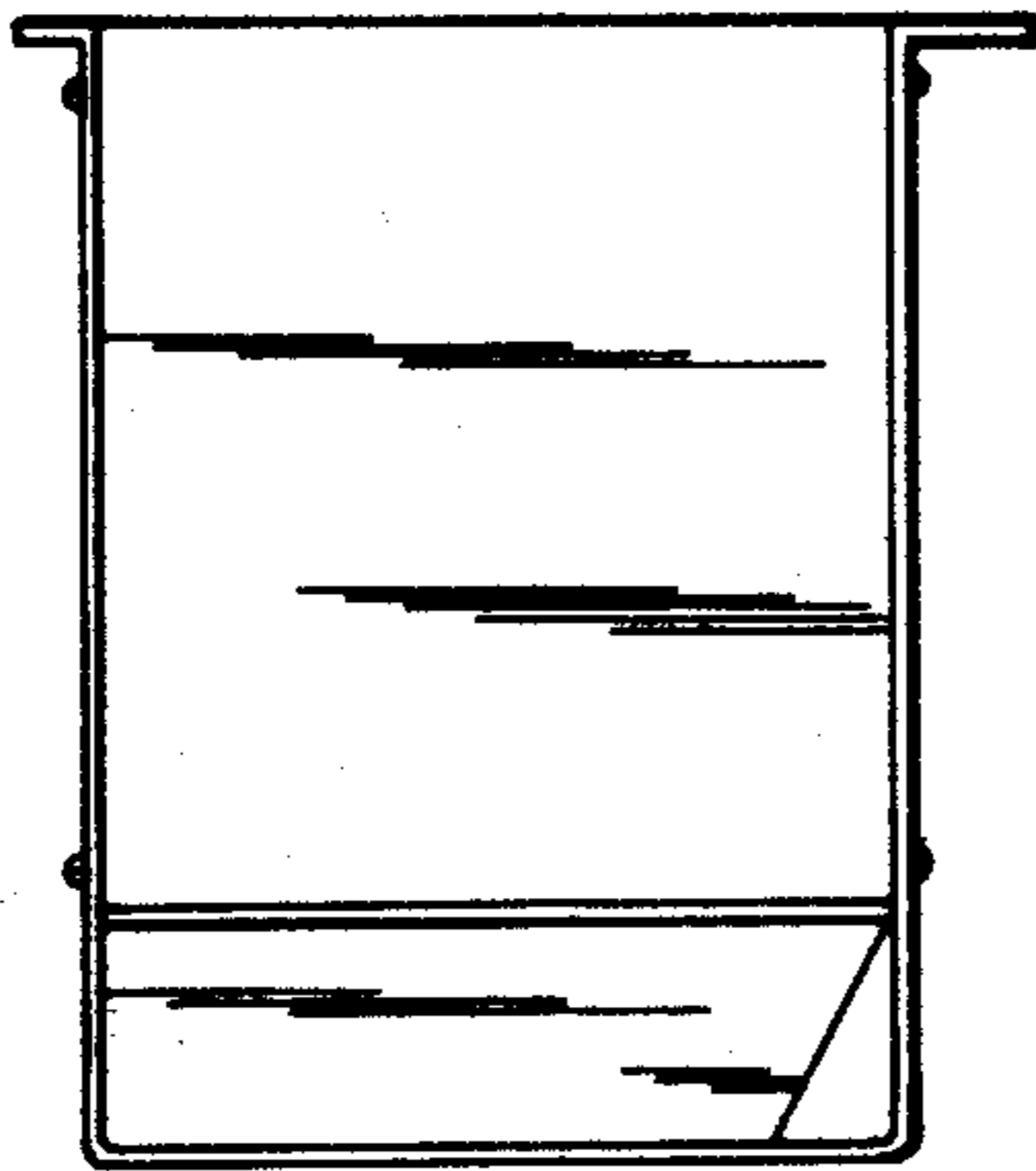


FIG. 4