

[54] GEAR SHIFT LEVER FOR BICYCLES

[75] Inventor: Henri Juy, Dijon, France

[73] Assignee: Etablissements Le Simplex, France

[**] Term: 14 Years

[21] Appl. No.: 608,557

[22] Filed: May 9, 1984

[30] Foreign Application Priority Data

Sep. 11, 1983 [FR] France 83 4159

[52] U.S. Cl. D12/179

[58] Field of Search D12/179; 74/475, 489, 74/531

[56] References Cited

U.S. PATENT DOCUMENTS

- D. 215,044 8/1969 Ozaki D12/179
- 3,693,469 9/1972 Ozaki 74/531
- 4,196,643 4/1980 Nagano 74/489

OTHER PUBLICATIONS

Palo Alto 1981/82 Bicycle catalog, p. 32, Sun Tour Cyclone Shifter, top center of page.

Primary Examiner—James M. Gandy
Attorney, Agent, or Firm—Eric P. Schellin

[57] CLAIM

The ornamental design for a gear shift lever for bicycles, as shown and described.

DESCRIPTION

FIG. 1 is a side elevation view of a gear shift lever for bicycles showing my new design;
 FIG. 2 is a left end elevation view thereof;
 FIG. 3 is a top plan view thereof;
 FIG. 4 is a side elevation view thereof opposite to that shown in FIG. 1;
 FIG. 5 is a right end elevation view thereof;
 FIG. 6 is a bottom plan view thereof;
 FIG. 7 is a side elevation view of a gear shift lever for bicycles showing a second embodiment of my new design;
 FIG. 8 is a right end elevation view of FIG. 7;
 FIG. 9 is a top plan view of FIG. 7; and
 FIG. 10 is a side elevation view opposite to that shown in FIG. 7;
 FIG. 11 is a left end elevation view of FIG. 7; and
 FIG. 12 is a bottom plan view of FIG. 7.

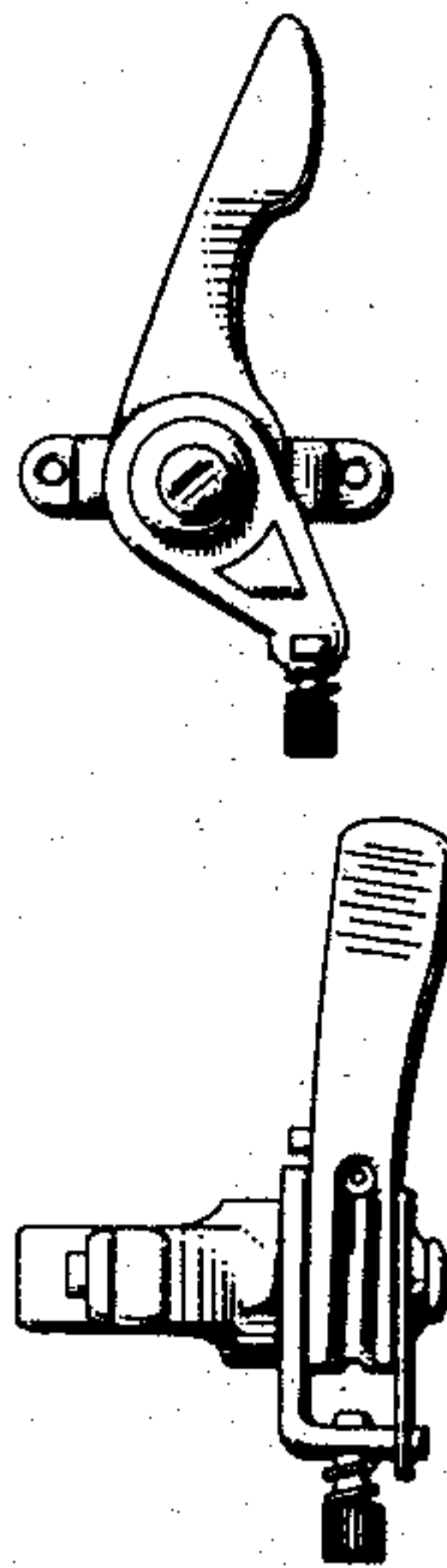


Fig. 1

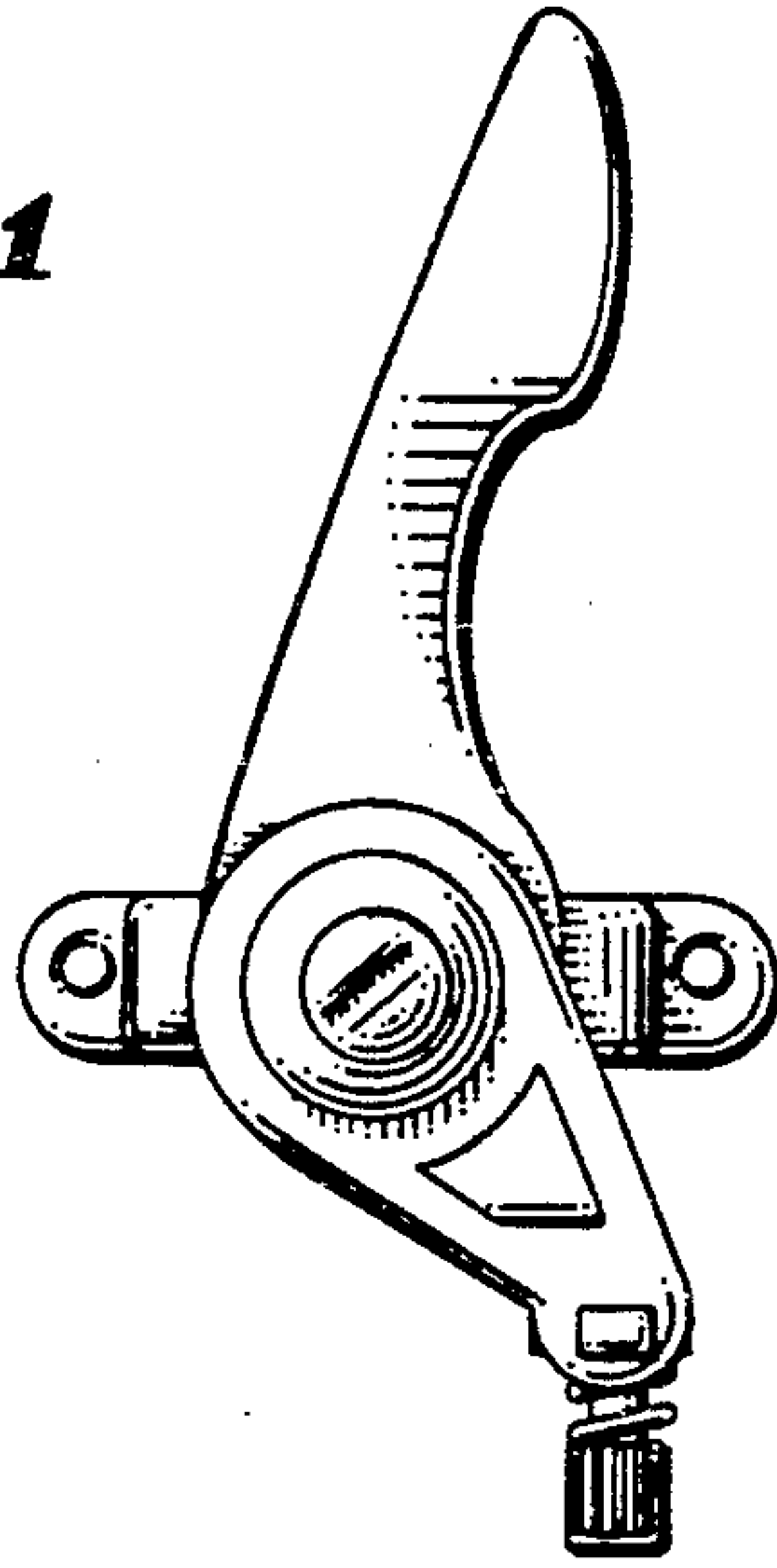


Fig. 7

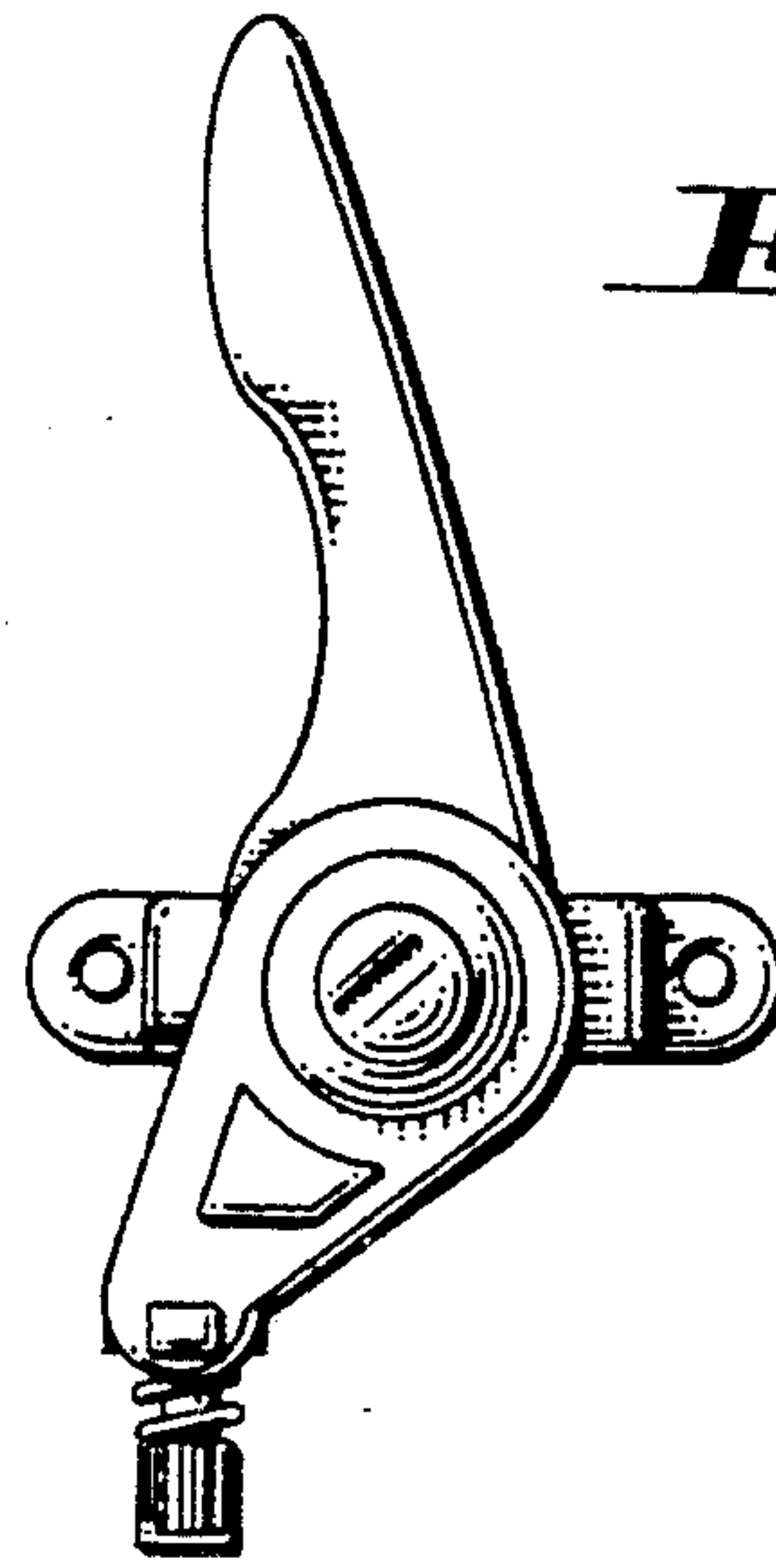


Fig. 2

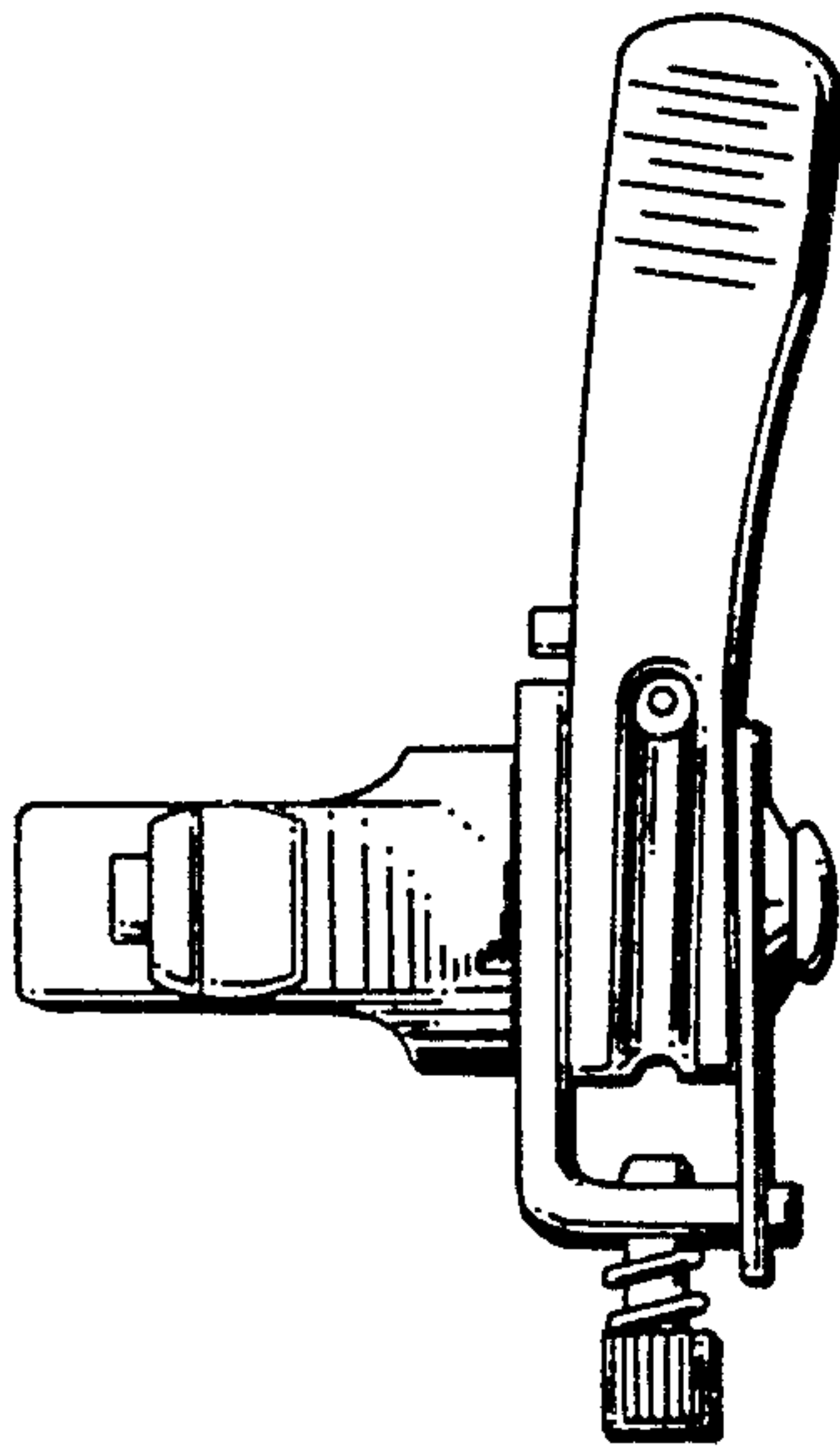


Fig. 8

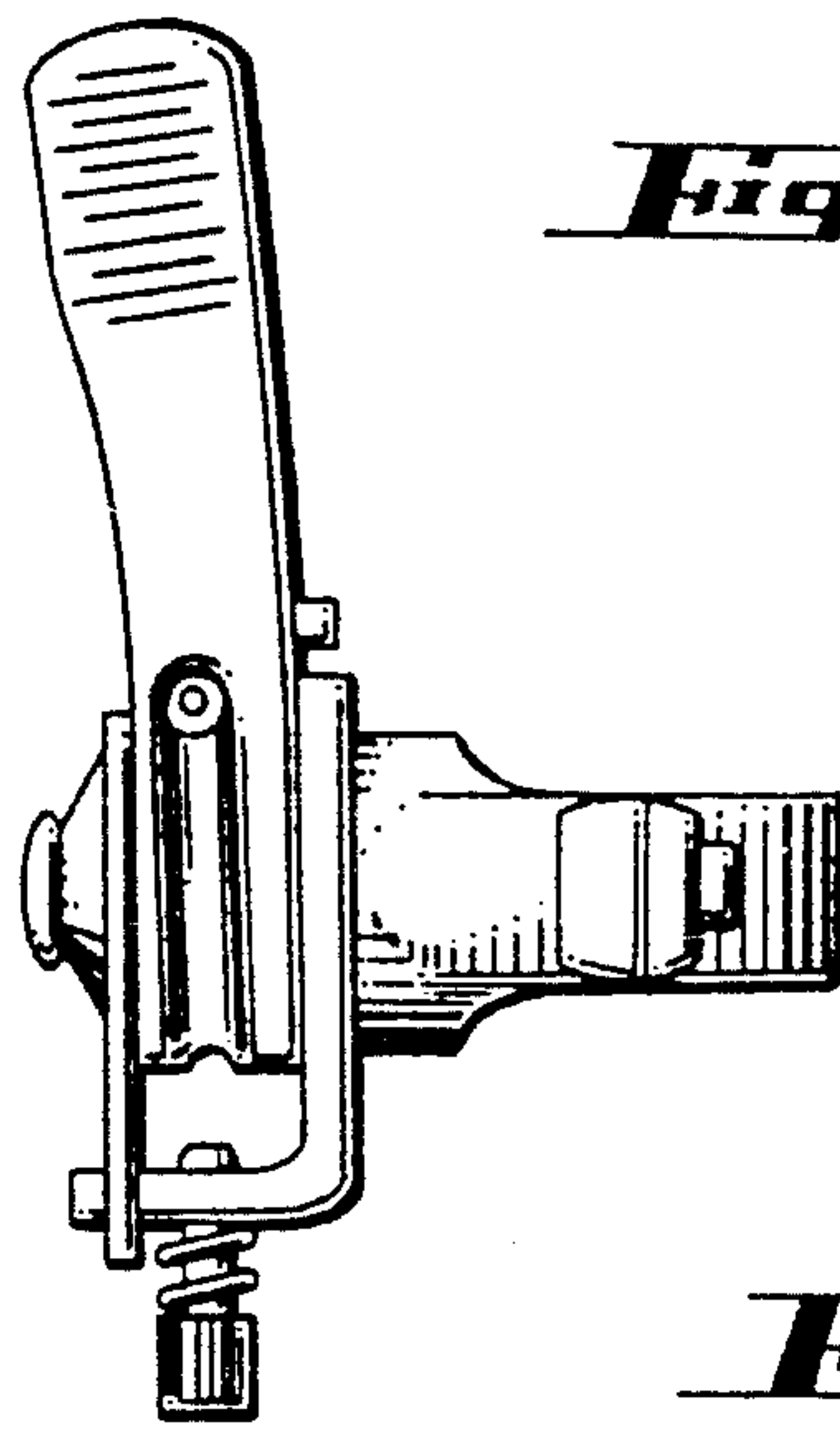


Fig. 3

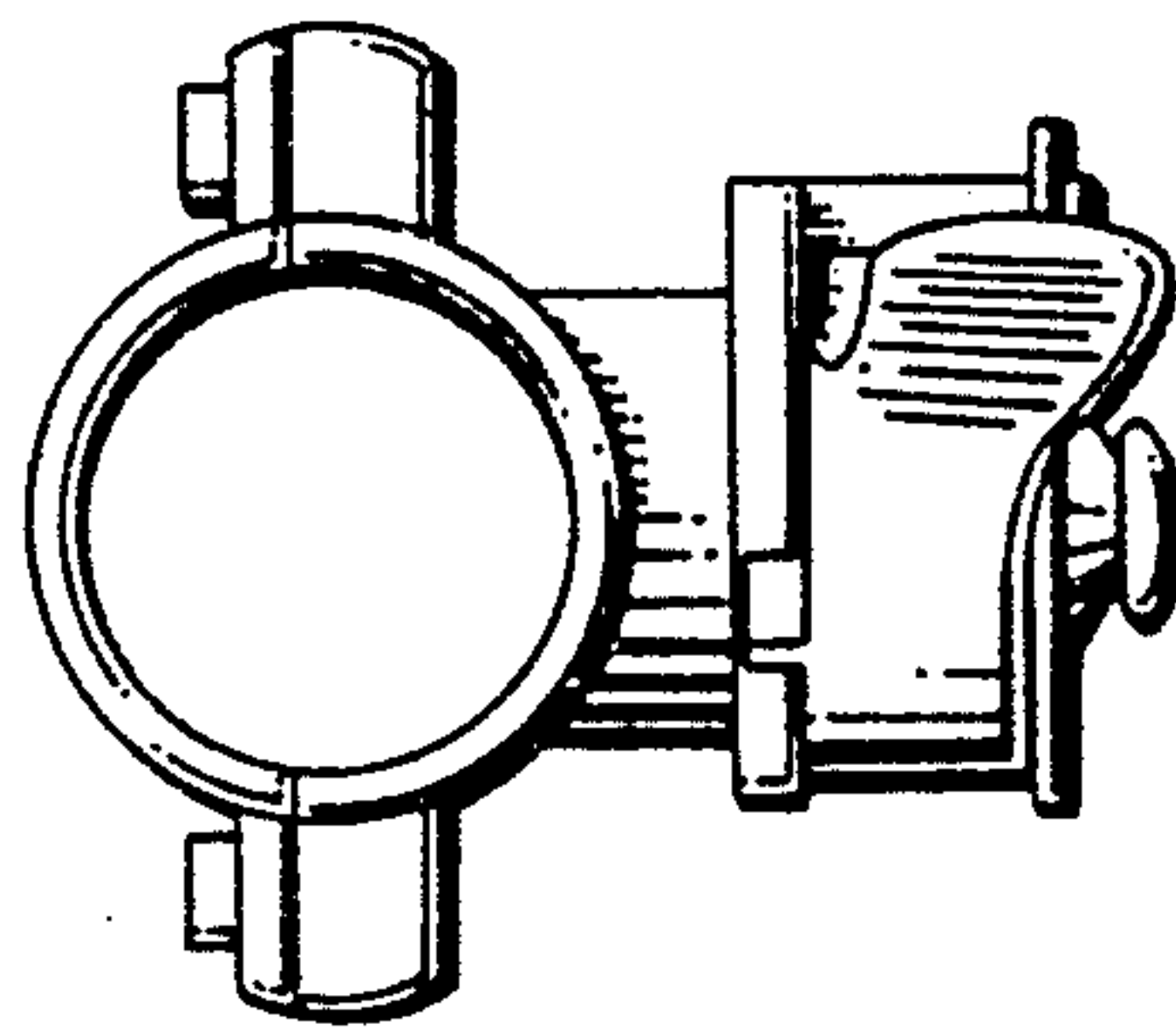


Fig. 9

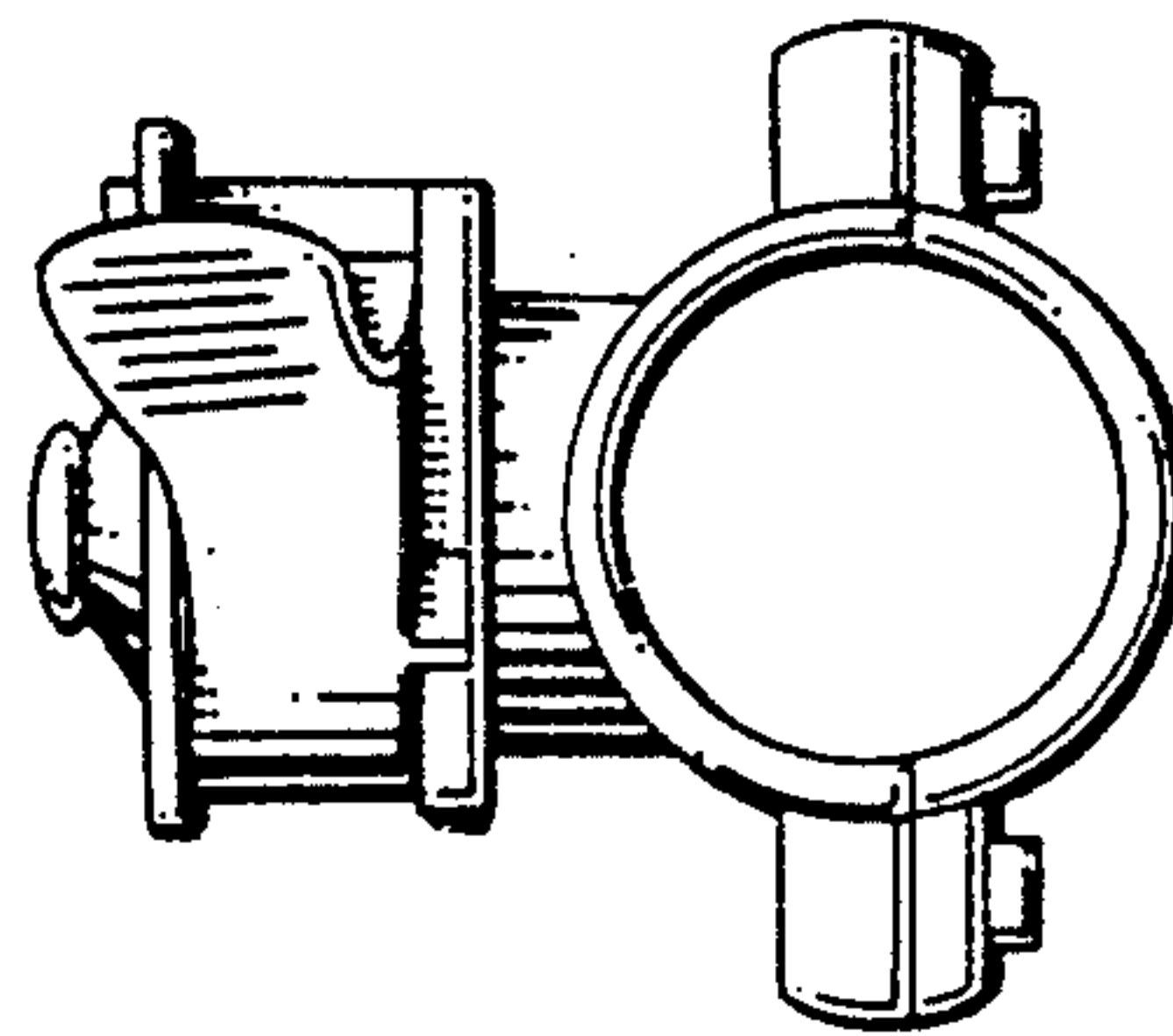


Fig. 4

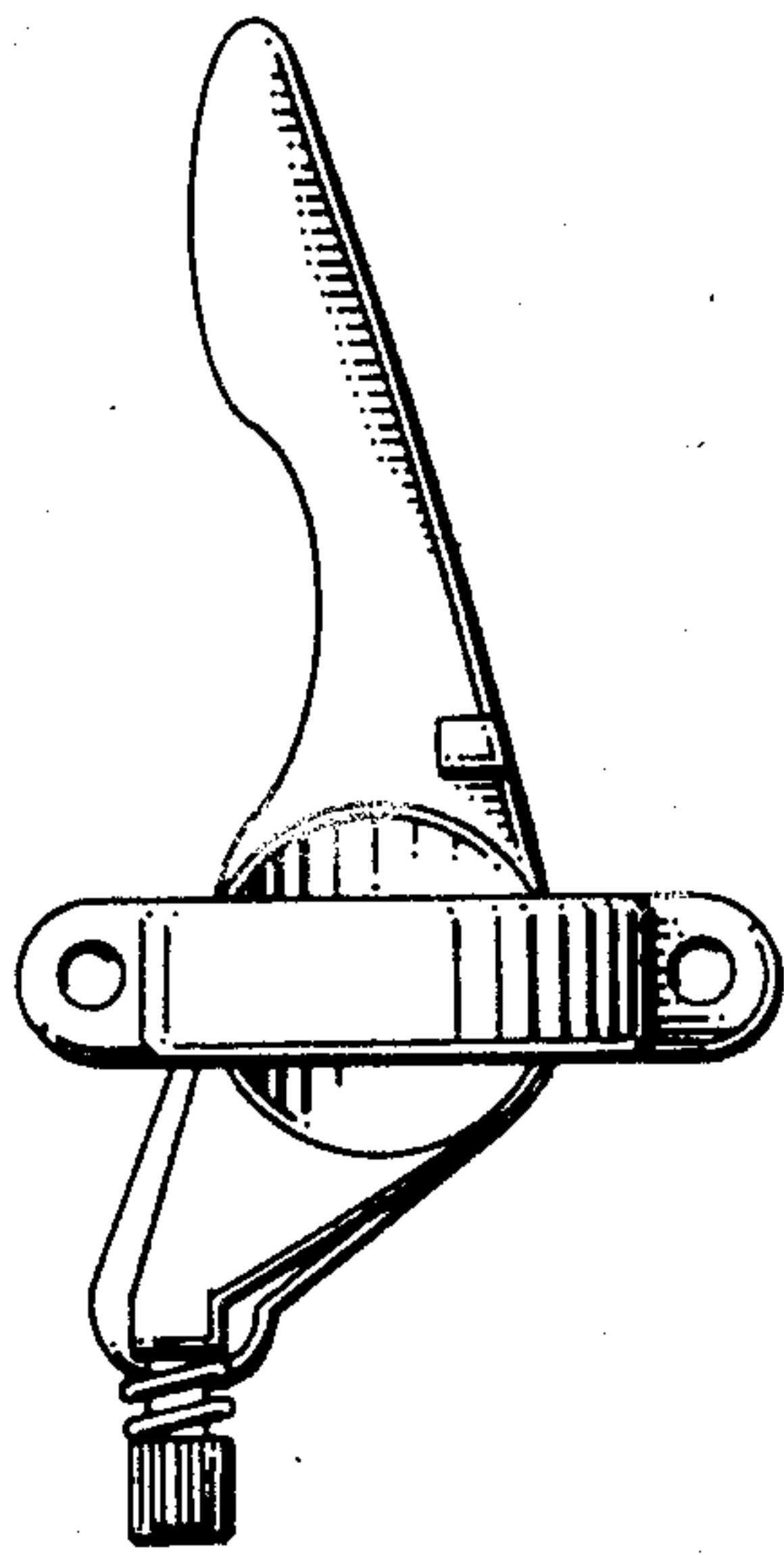


Fig. 10

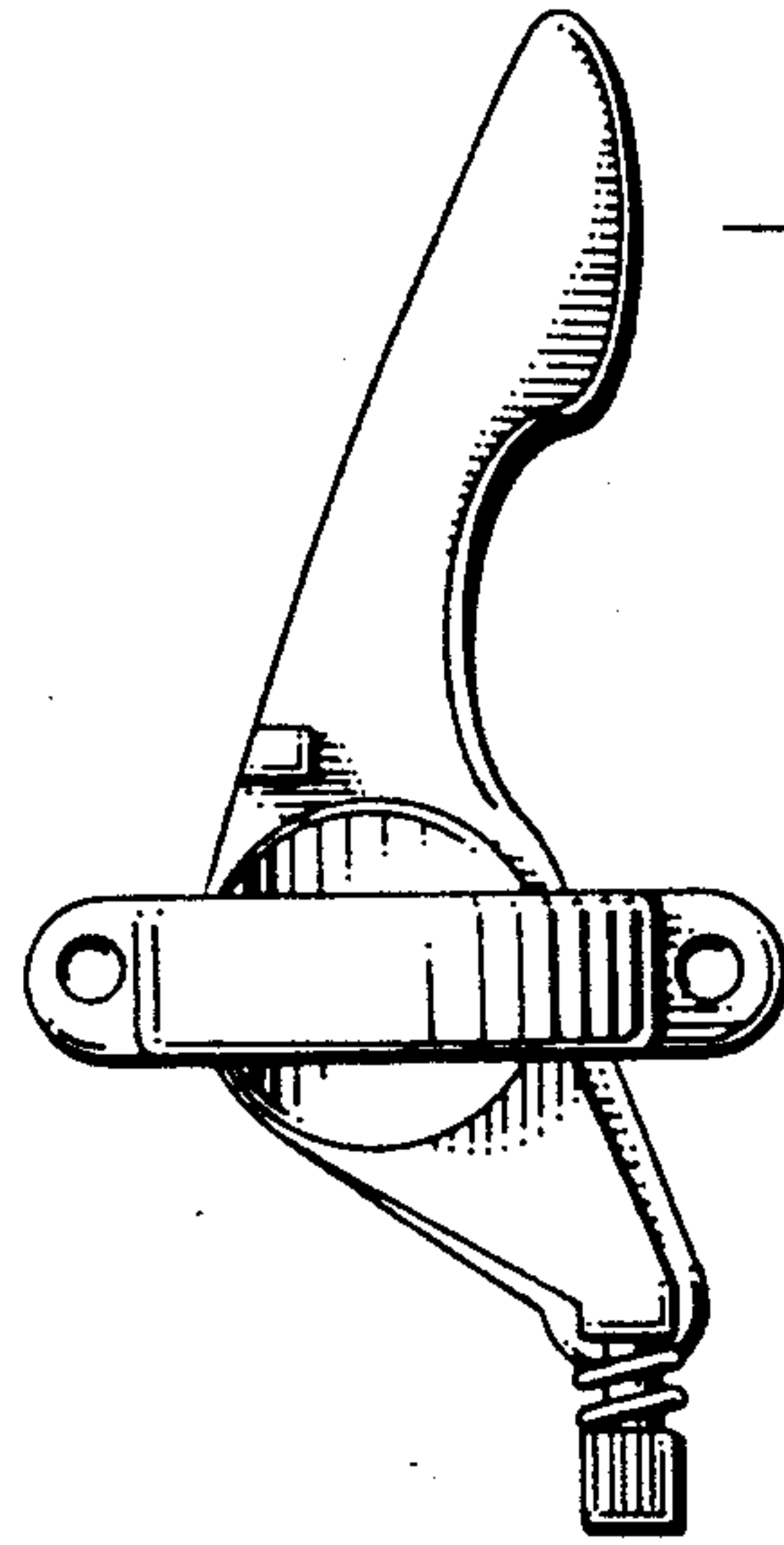


Fig. 5

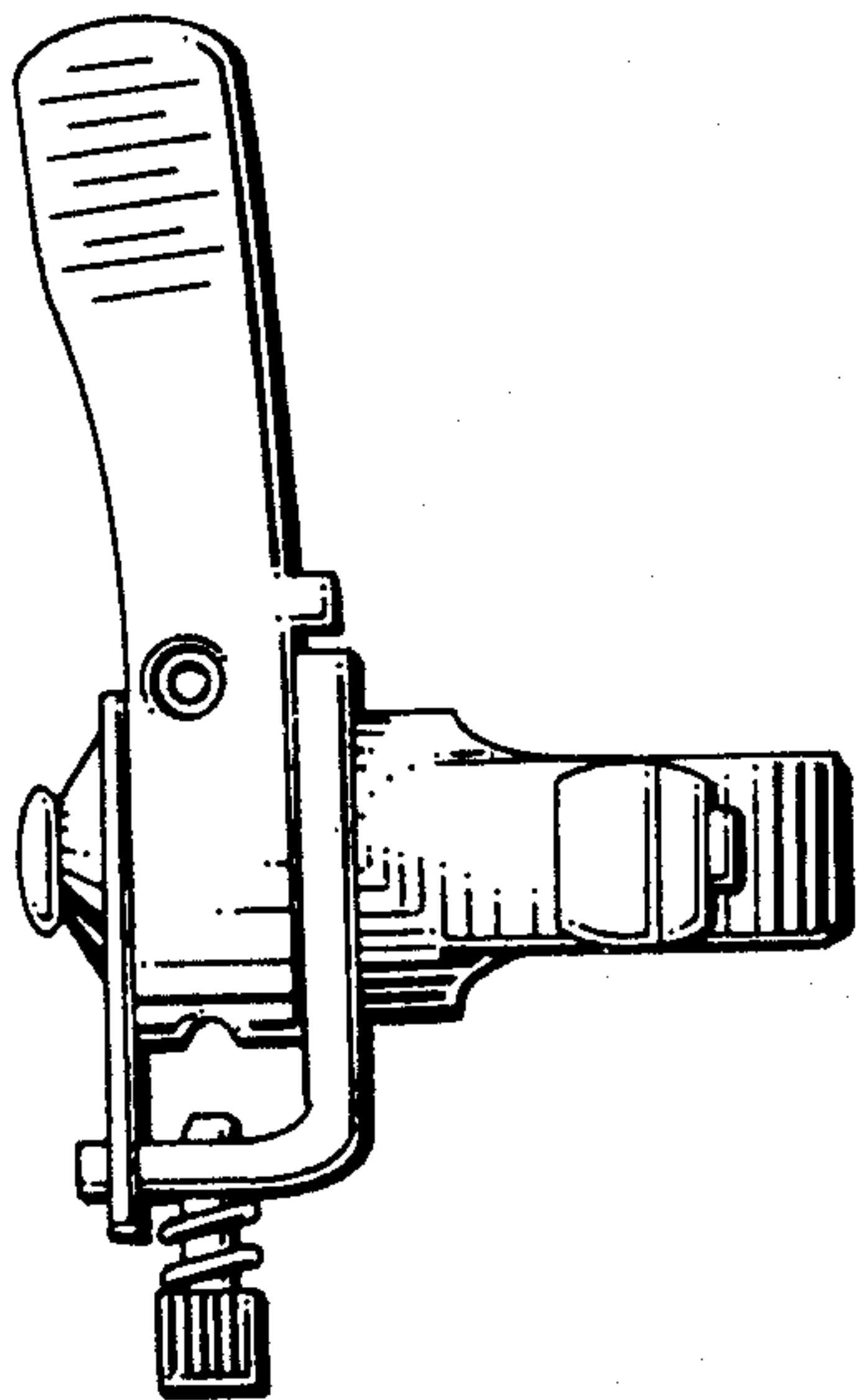


Fig. 11

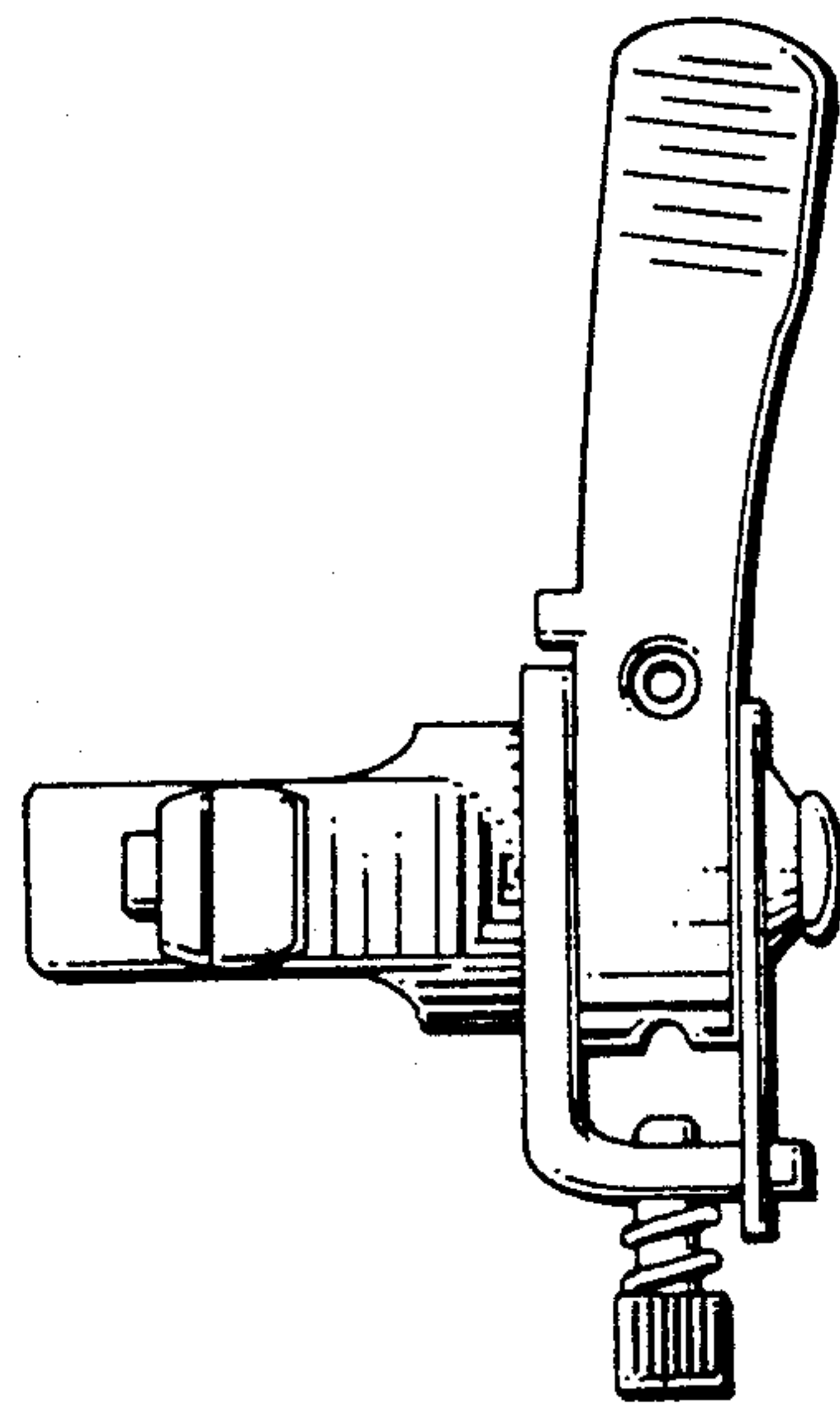


Fig. 6

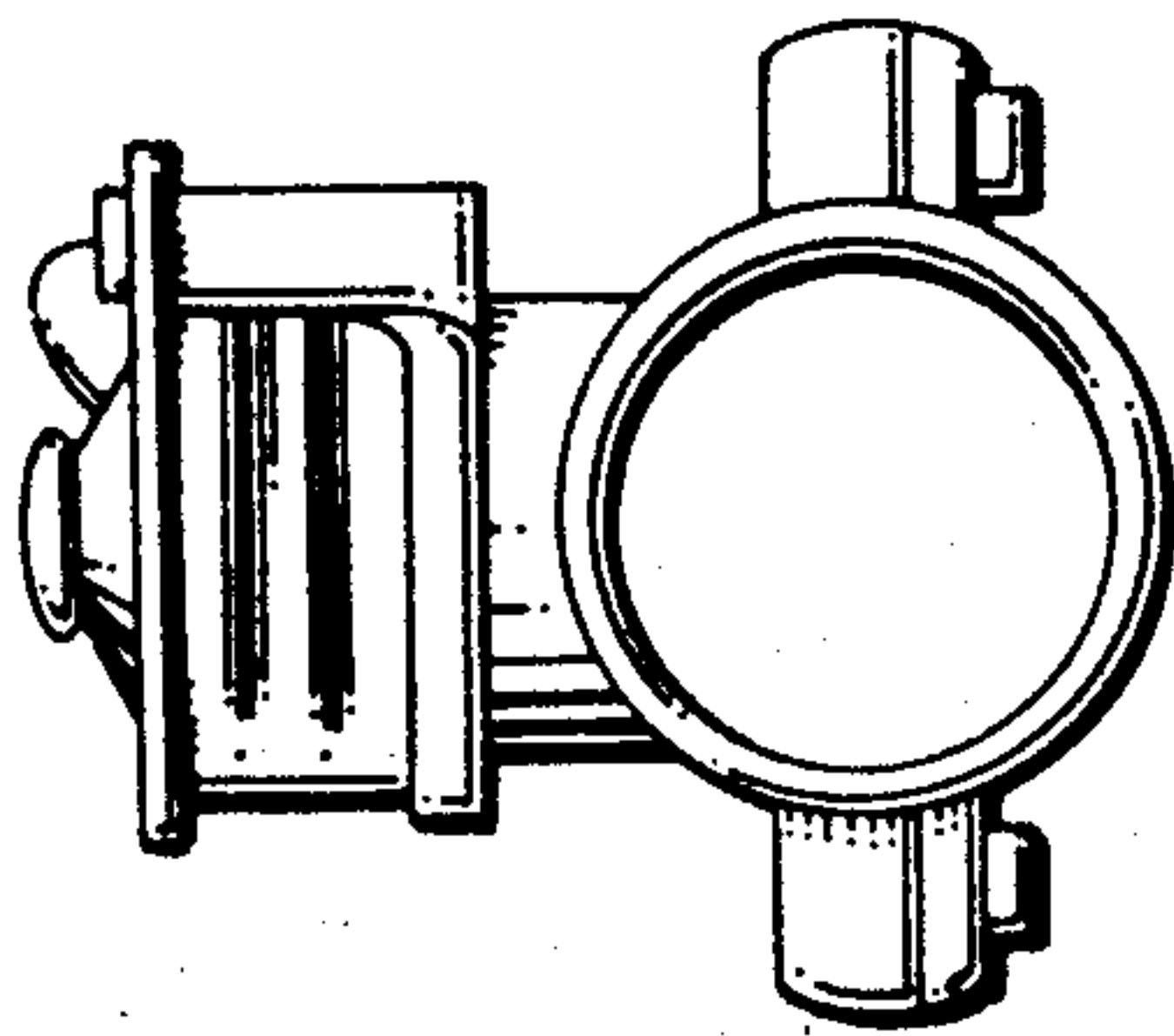


Fig. 12

