

[54] TELEPHONE LIGHT BULB REPLACEMENT TOOL

[76] Inventors: Kenneth W. Hotchkiss, 8898 Ute Dr., Blue Mountain, Golden, Colo. 80401; George H. Bramhall, 212 Pine Brook Hills, Boulder, Colo. 80302; John A. Popken, 6 Sunset Cir., Longmont, Colo. 80501

[\*\*] Term: 14 Years

[21] Appl. No.: 612,704

[22] Filed: May 21, 1984

[52] U.S. Cl. .... D8/14

[58] Field of Search ..... D8/14, 51, 107; 81/53.1, 53.11, 53.12, 64

[56] References Cited

U.S. PATENT DOCUMENTS

1,037,882 9/1912 Erickson ..... 81/53.11 X

1,667,332	4/1928	Stahler .....	81/53.1	X
2,924,481	2/1960	Wagstaff .....	81/53.11	X
3,473,423	10/1969	Peck .....	D8/14	X
4,006,653	2/1977	Kuntzsch .....	D8/14	X
4,269,311	5/1981	Rich .....	81/177.2	X

Primary Examiner—Susan J. Lucas  
Assistant Examiner—C. E. Heflin  
Attorney, Agent, or Firm—Kyle W. Rost

[57] CLAIM

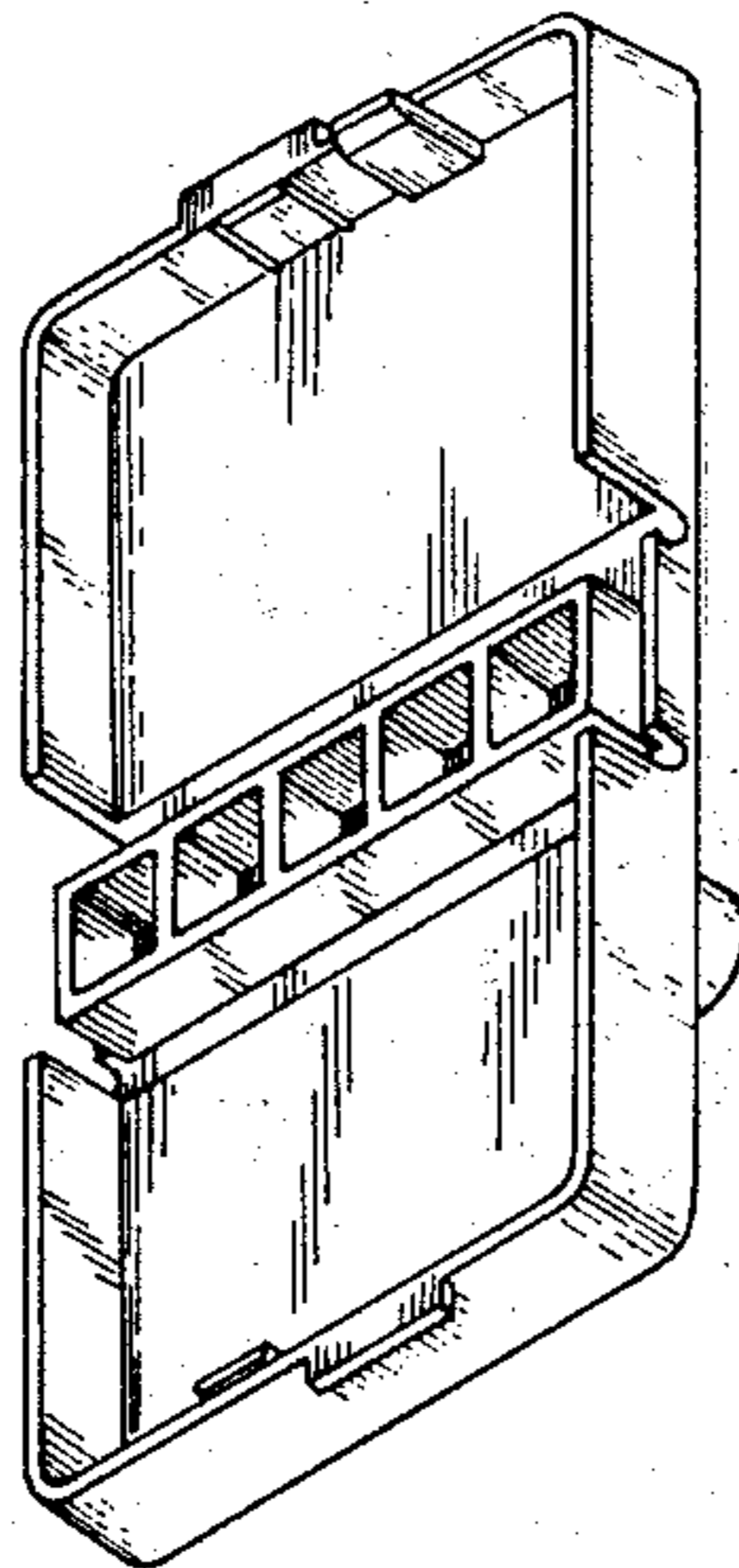
The ornamental design for a telephone light bulb replacement tool, substantially as shown.

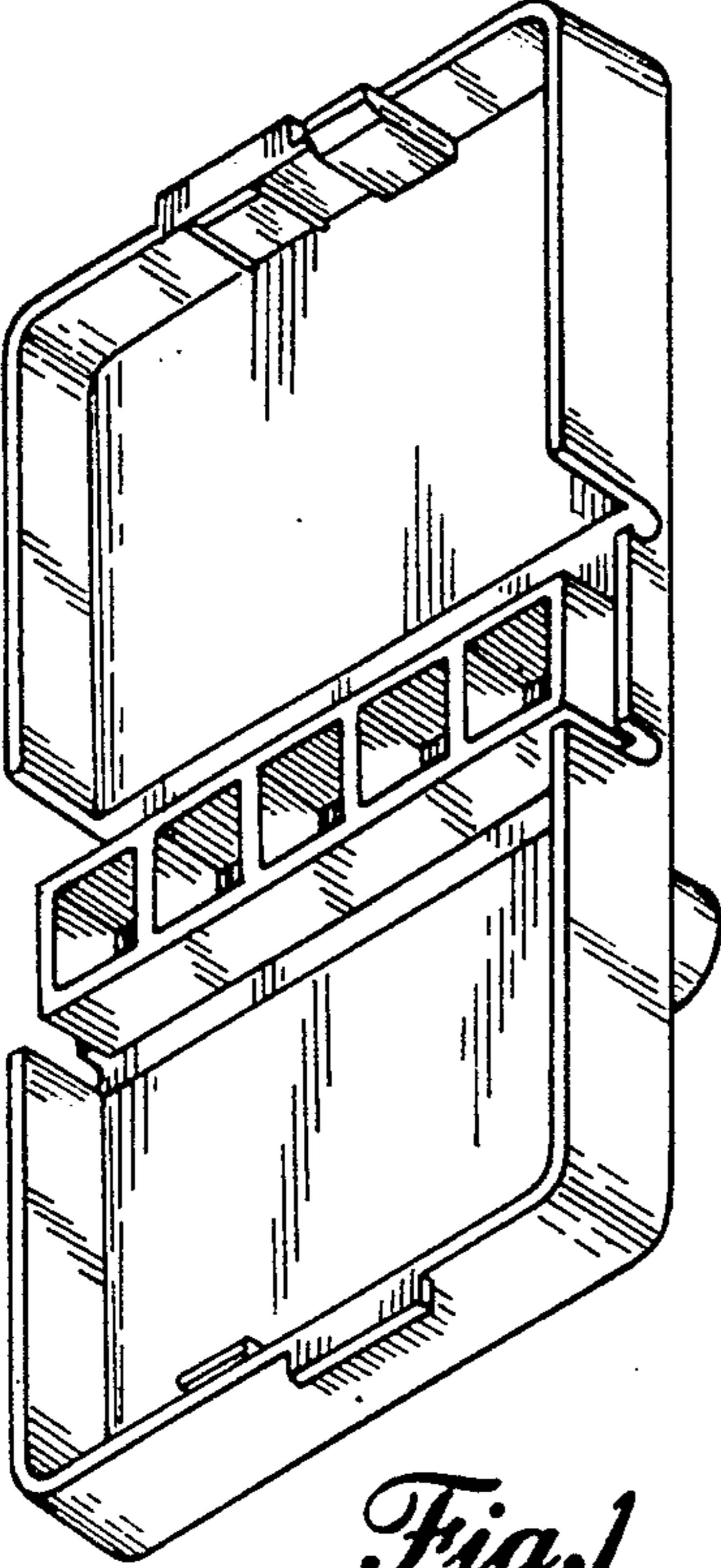
DESCRIPTION

FIG. 1 is an isometric view from the lower right rear of the telephone light bulb replacement tool, showing our new design.

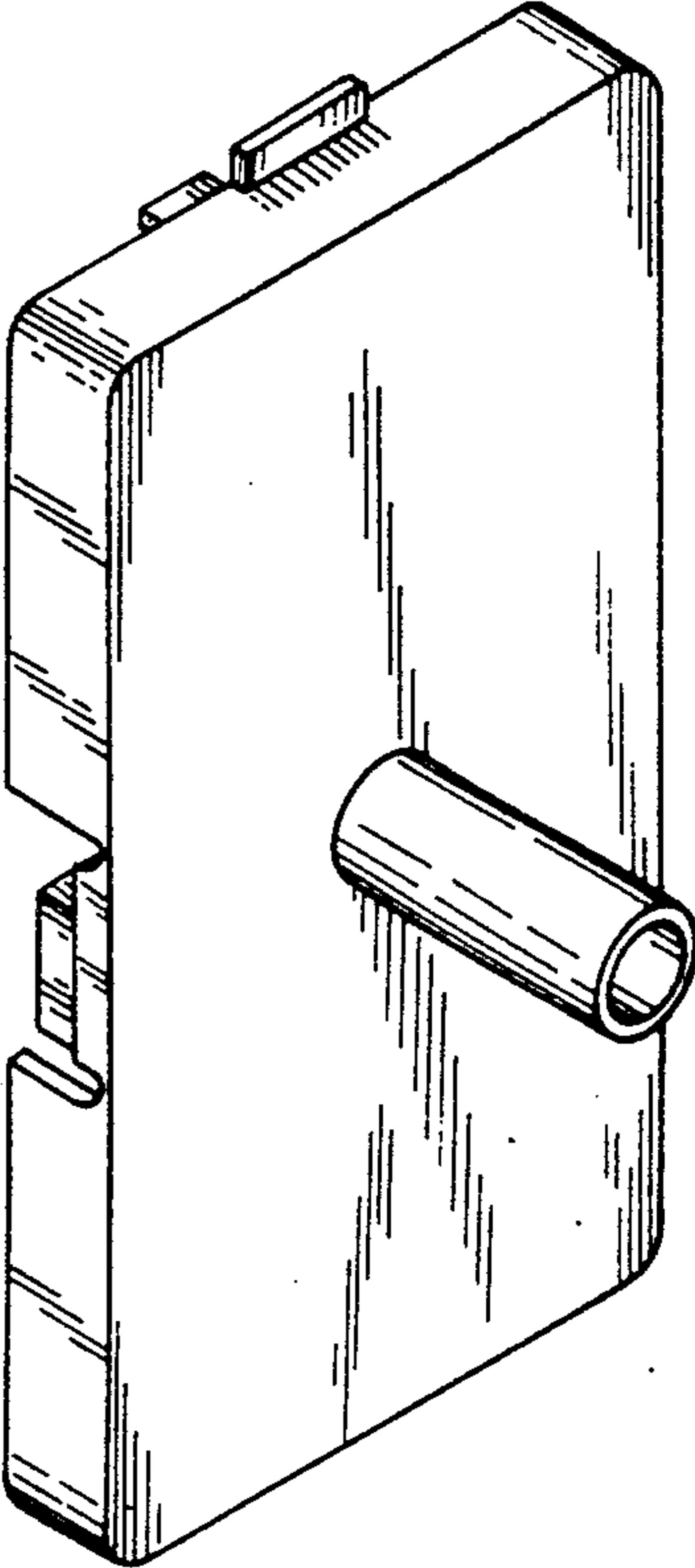
FIG. 2 is an isometric view taken from the upper, right front thereof.

FIG. 3 is an isometric view from the upper left rear thereof.

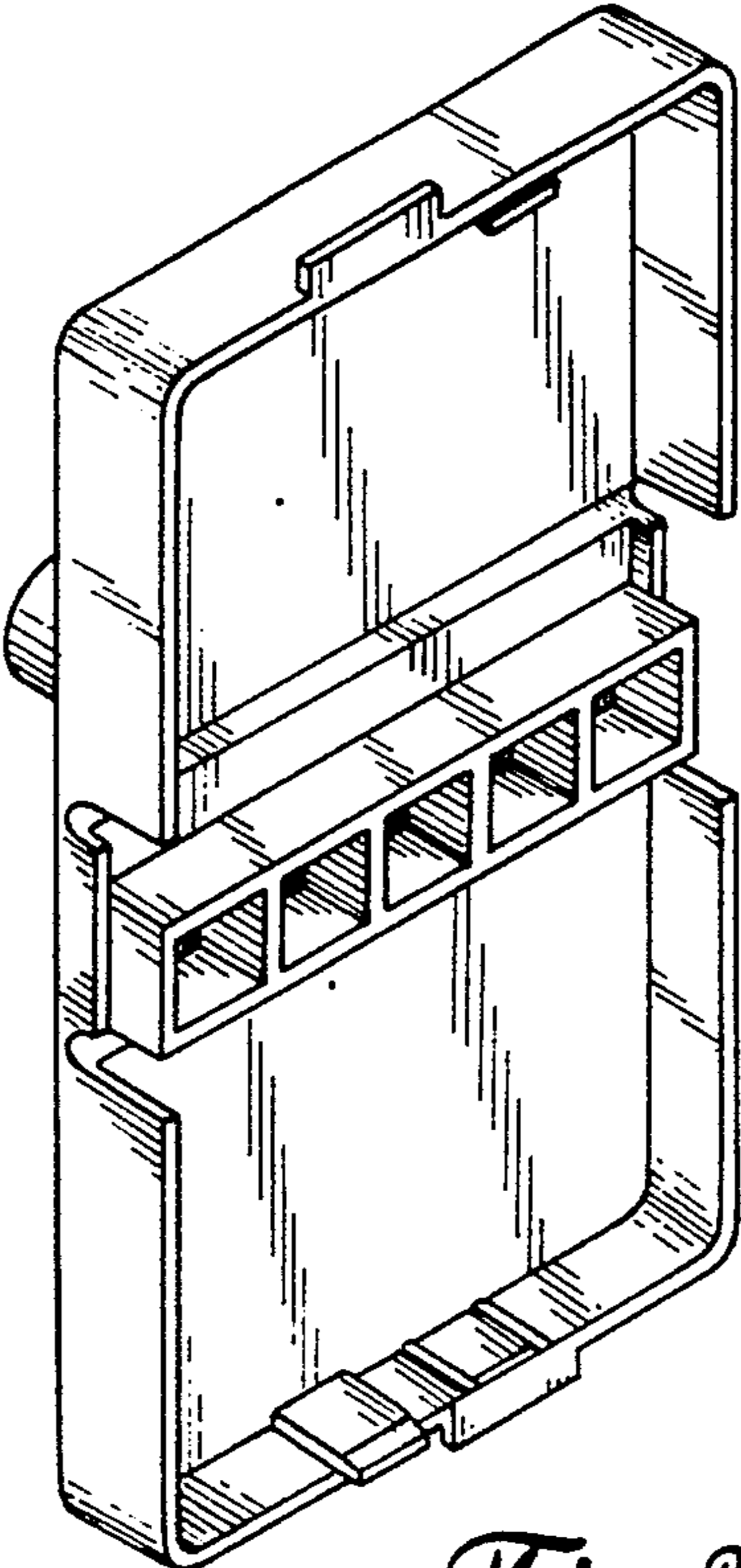




*Fig.1*



*Fig.2*



*Fig.3*