

[54] COMBINED FOOD PEELER AND SLICER

[75] Inventor: Lee R. Chasen, Port Chester, N.Y.

[73] Assignee: Coats & Clark, Inc., Stamford, Conn.

[**] Term: 14 Years

[21] Appl. No.: 703,938

[22] Filed: Feb. 21, 1985

[52] U.S. Cl. D7/147; D8/99

[58] Field of Search 30/278, 279 R, 162, 30/143, 123.7; D7/147, 137, 152; D8/99, 98

[56] References Cited

U.S. PATENT DOCUMENTS

| | | | |
|-----------|---------|--------|----------|
| 1,331,880 | 2/1920 | Smith | 30/279 R |
| 2,232,940 | 2/1941 | Fender | 30/278 |
| 3,220,110 | 11/1965 | Popeil | 30/143 |
| 3,406,450 | 10/1968 | Grotz | D7/147 X |

FOREIGN PATENT DOCUMENTS

737208 5/1980 U.S.S.R. 30/162 X

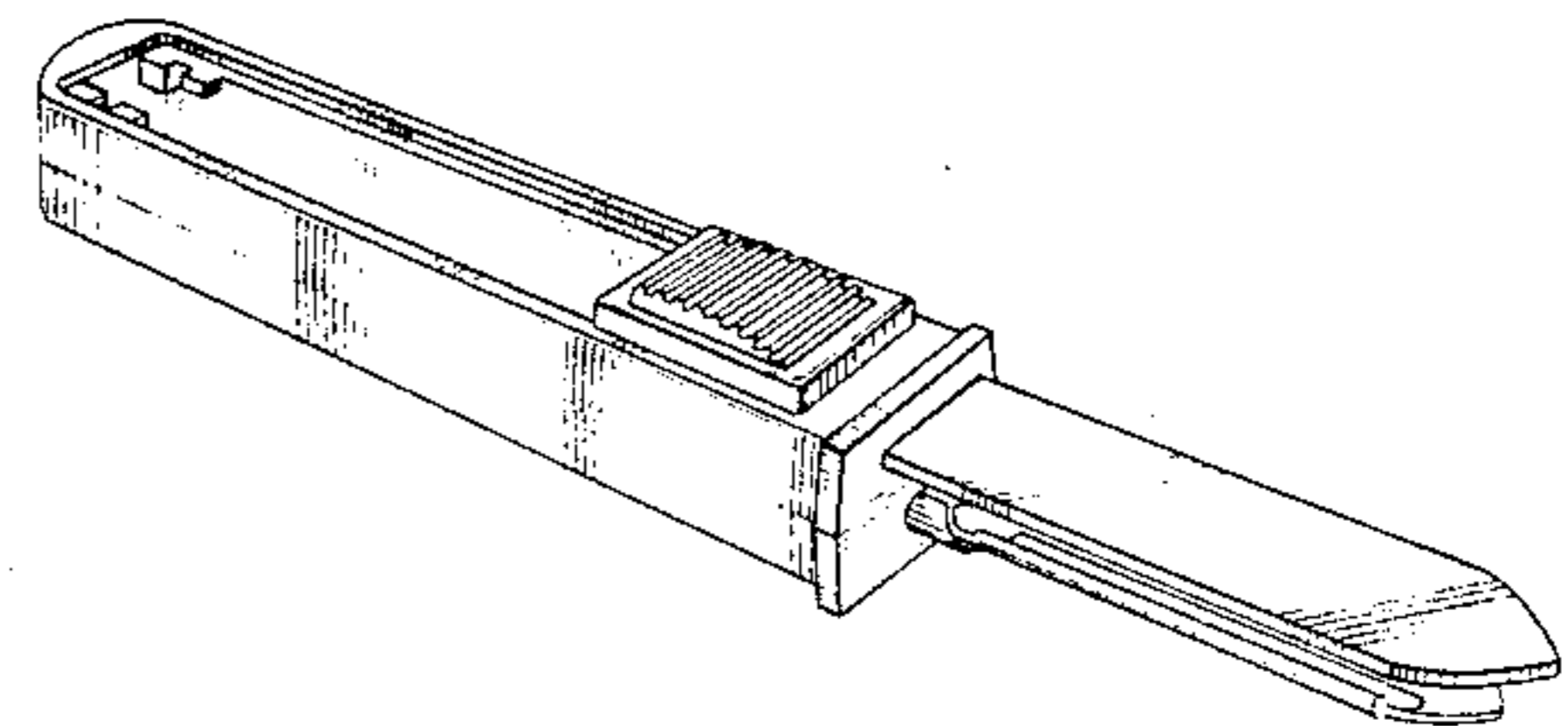
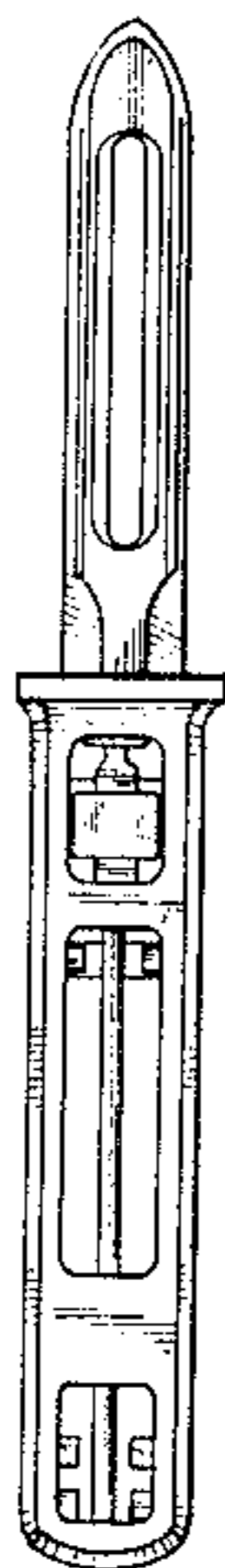
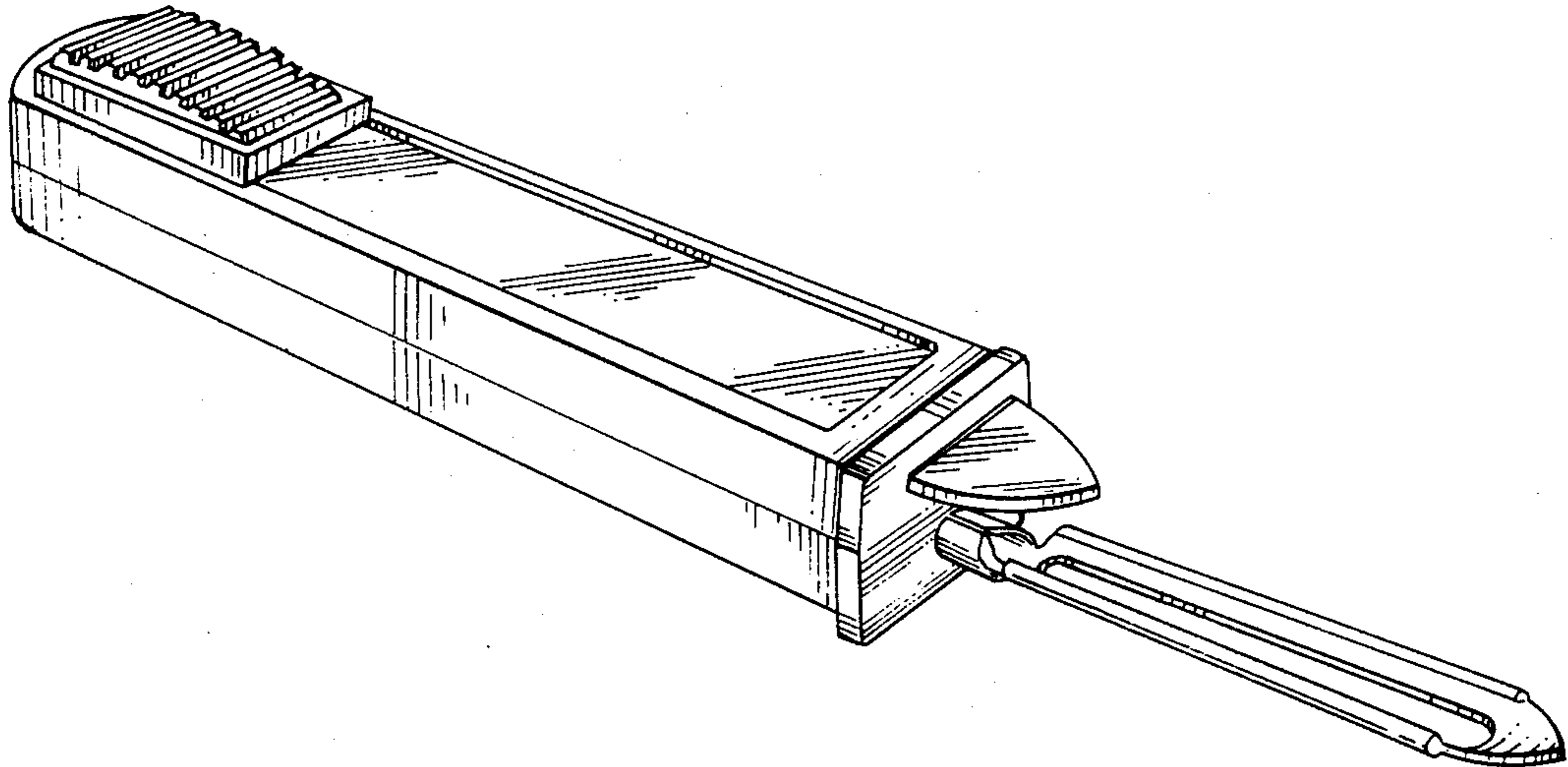
Primary Examiner—Winifred E. Herrmann
Attorney, Agent, or Firm—Burgess, Ryan & Wayne

[57] CLAIM

The ornamental design for a combined food peeler and slicer, substantially as shown and described.

DESCRIPTION

FIG. 1 is a top perspective view of a combined food peeler and slicer showing my new design; FIG. 2 is a top plan view thereof; FIG. 3 is a bottom plan view thereof; FIG. 4 is a front elevational view thereof; FIG. 5 is a rear elevational view thereof; FIG. 6 is a left side elevational view thereof; FIG. 7 is a right side elevational view thereof; and FIG. 8 is a perspective view thereof with the slicer blade retracted.



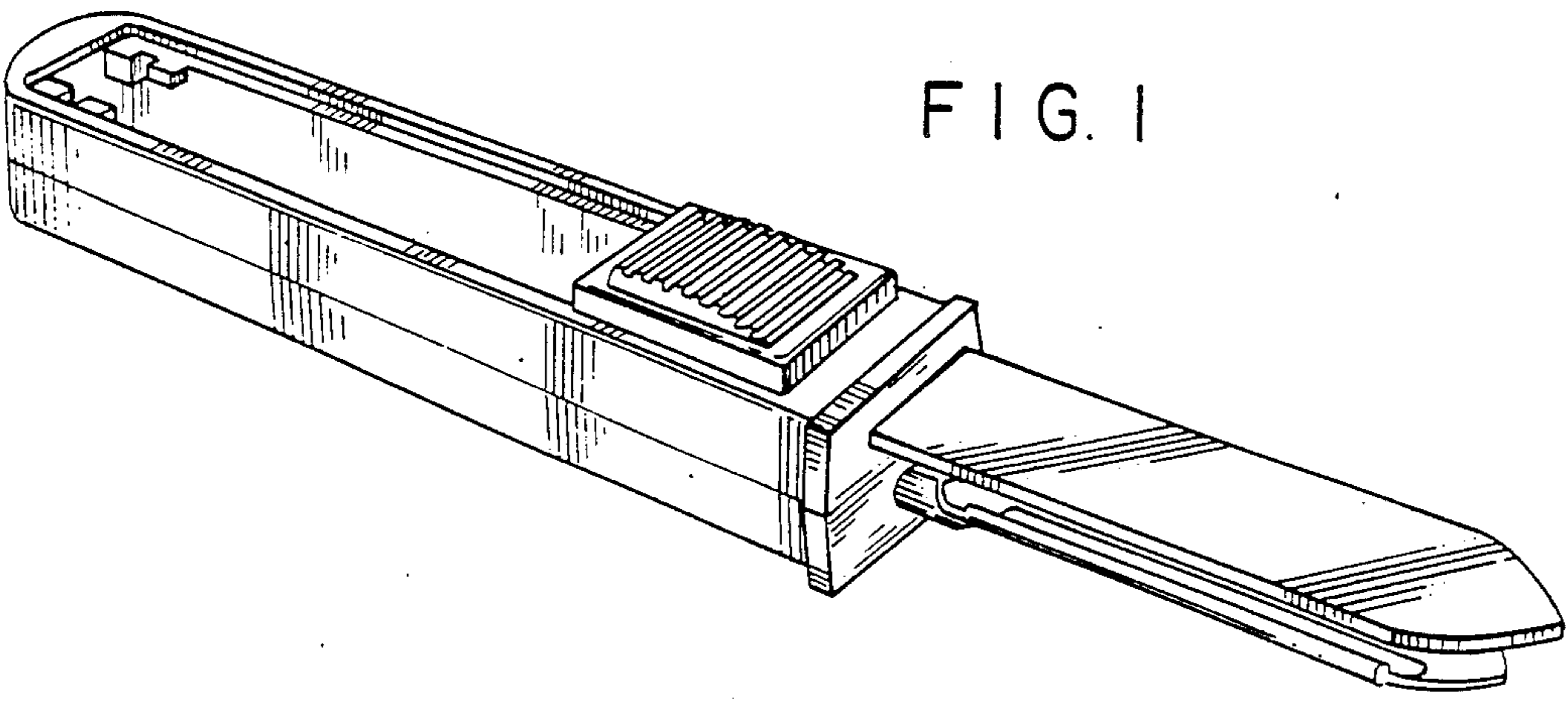


FIG. 1

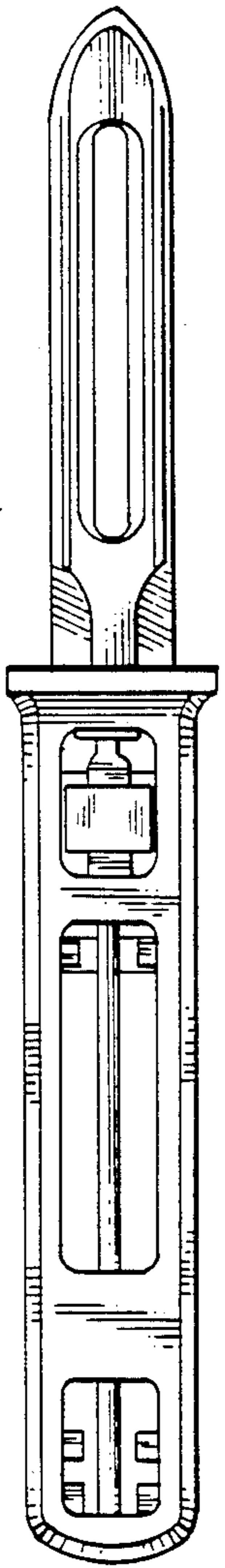


FIG. 3

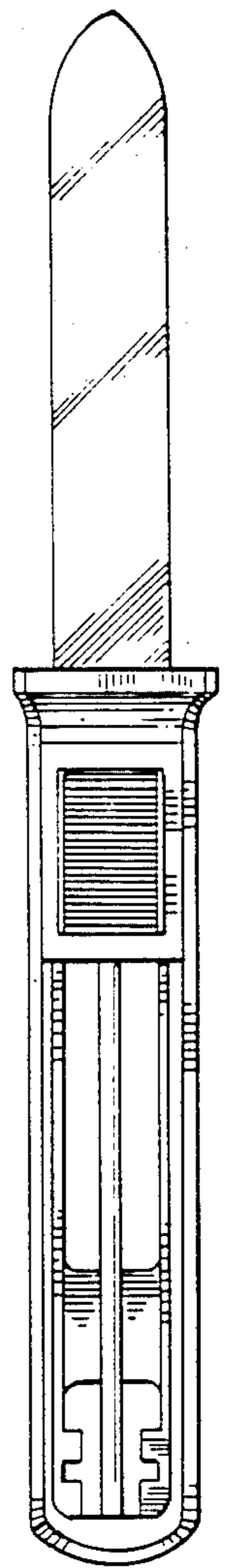


FIG. 2

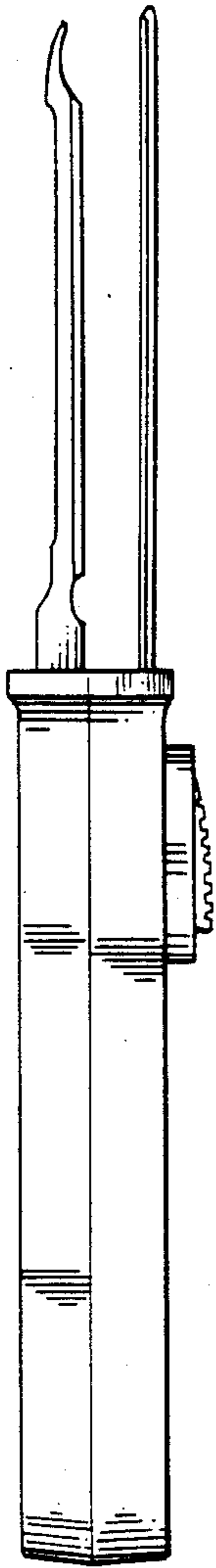


FIG. 4

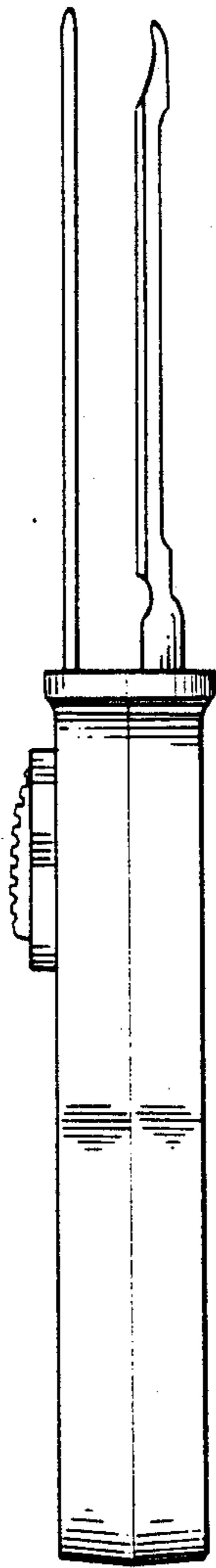


FIG. 5

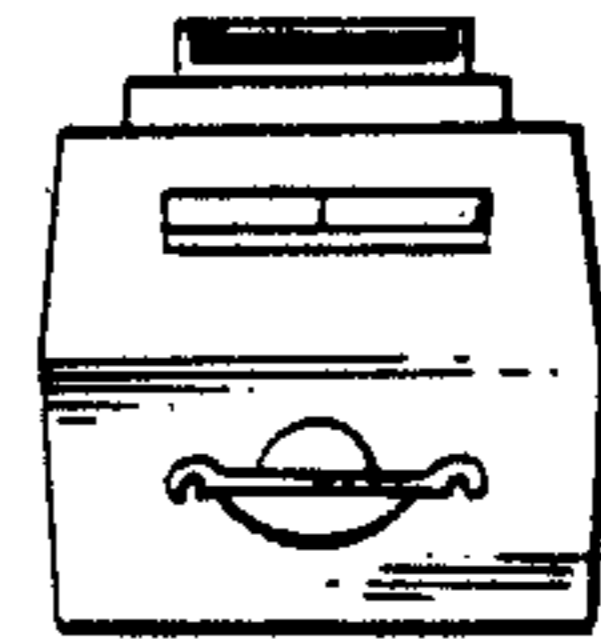


FIG. 6

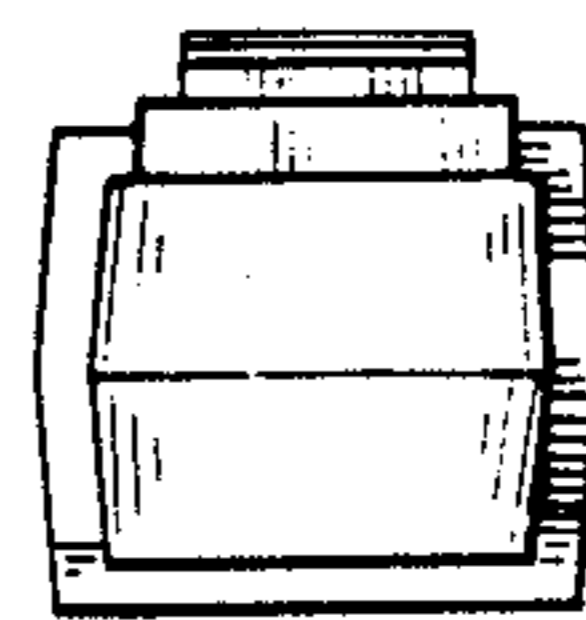


FIG. 7

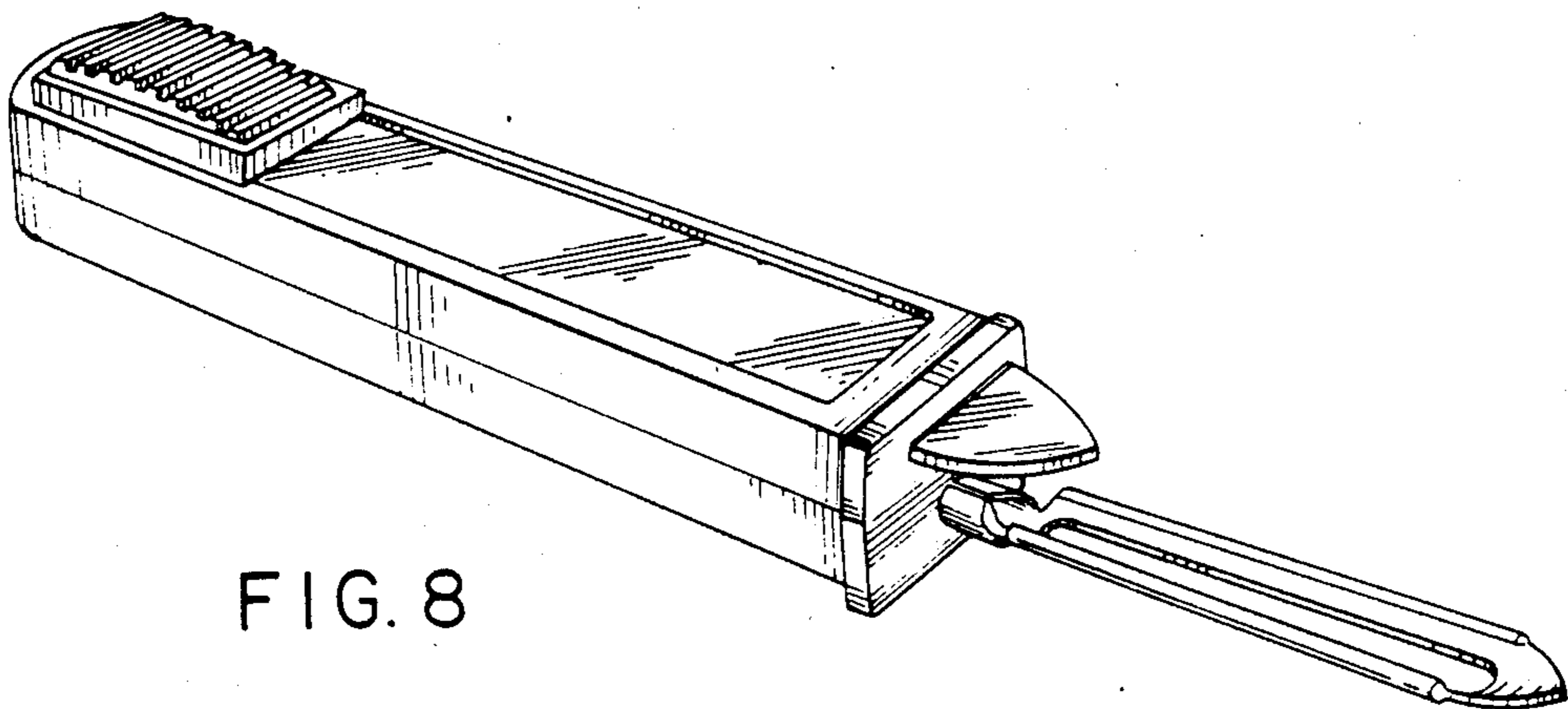


FIG. 8