

[54] **LAVATORY BRUSH WITH STAND**

[75] **Inventor: Alessandro Zuliani, Udine, Italy**

[73] **Assignee: Cosdatto SpA, Martignacco, Italy**

[**] **Term: 14 Years**

[21] **Appl. No.: 707,328**

[22] **Filed: Mar. 1, 1985**

[30] **Foreign Application Priority Data**

Sep. 3, 1984 [IT] Italy 60435/84

[52] **U.S. Cl. D6/551; D4/116; D4/127**

[58] **Field of Search 312/206, 207; 15/159 R, 15/160; 206/361, 362.2, 362.3, 15.2, 15.3; 248/110; 211/65, 66; D6/551; D4/116, 130-135, 138, 199, 127; D32/35**

[56] **References Cited**

U.S. PATENT DOCUMENTS

D. 238,917 2/1976 Vrignaud D6/551

D. 266,035	9/1982	Thompson	D4/128
D. 272,874	3/1984	Cohen	D6/551
D. 276,291	11/1984	Boroch	D4/121
1,541,088	6/1925	Whitenack .	
2,026,680	1/1936	Jacobson .	
2,966,688	1/1961	Daubert .	

FOREIGN PATENT DOCUMENTS

615519	6/1935	Fed. Rep. of Germany .
731297	5/1932	France .

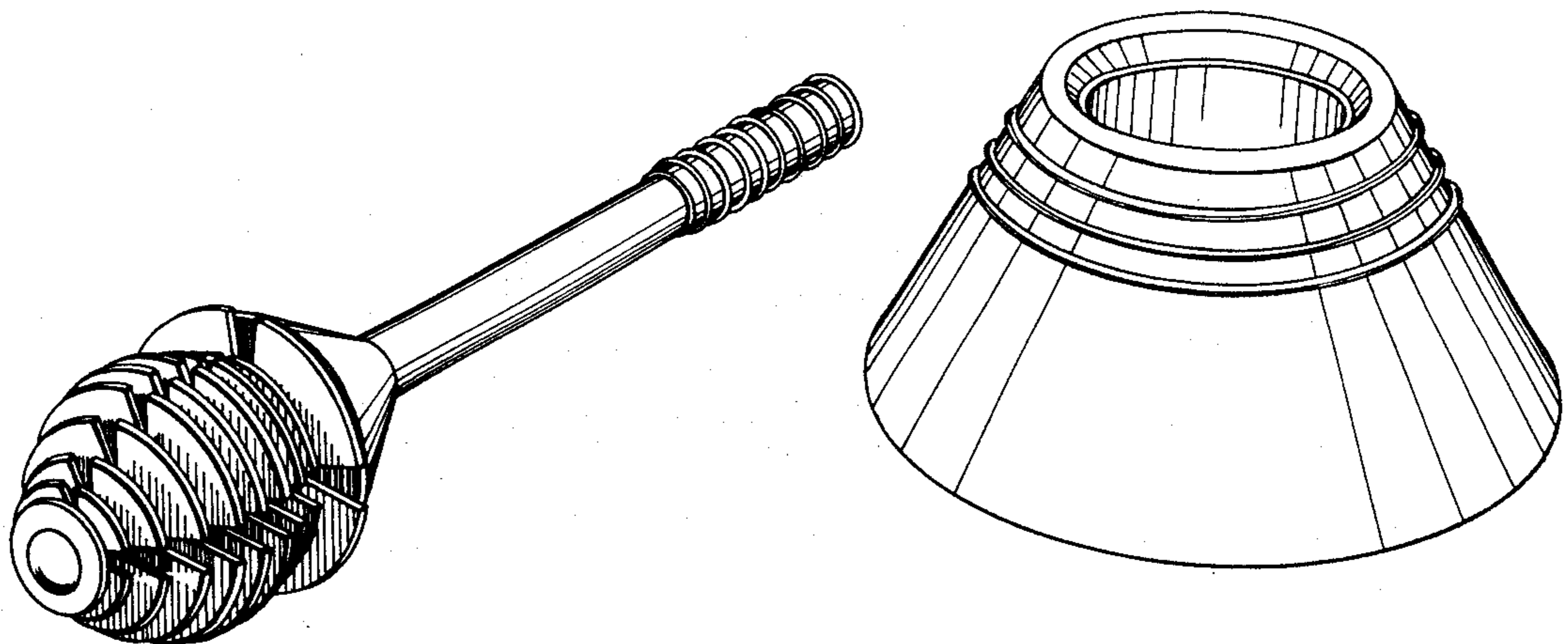
Primary Examiner—Catherine E. Kemper
Attorney, Agent, or Firm—Flynn, Thiel, Boutell & Tanis

[57] **CLAIM**

The ornamental design for a lavatory brush with stand, as shown and described.

DESCRIPTION

FIG. 1 is a perspective view of a lavatory brush with stand, showing my new design;
FIG. 2 is a perspective view showing the brush and stand separated;
FIG. 3 is another perspective view thereof.



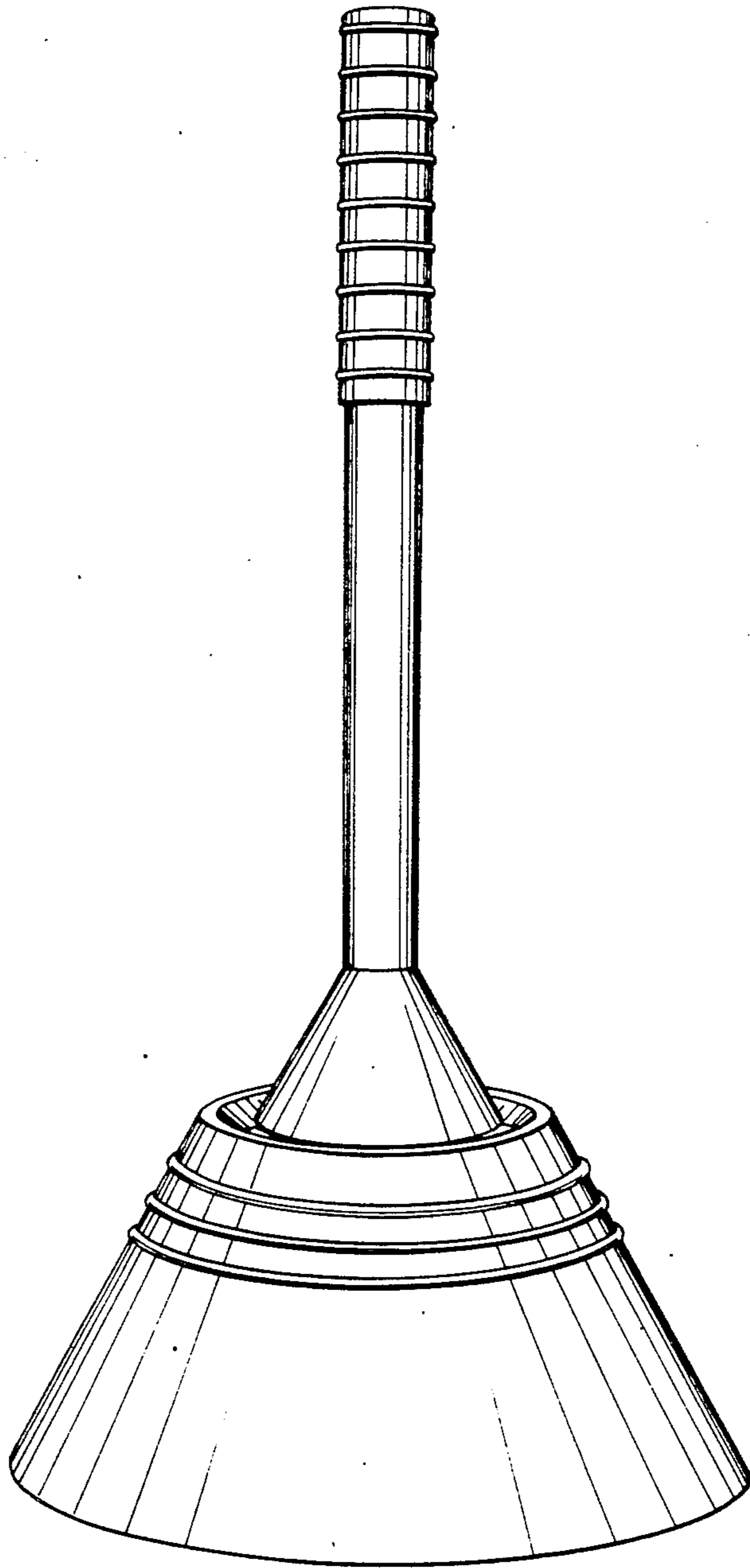


FIG. 1

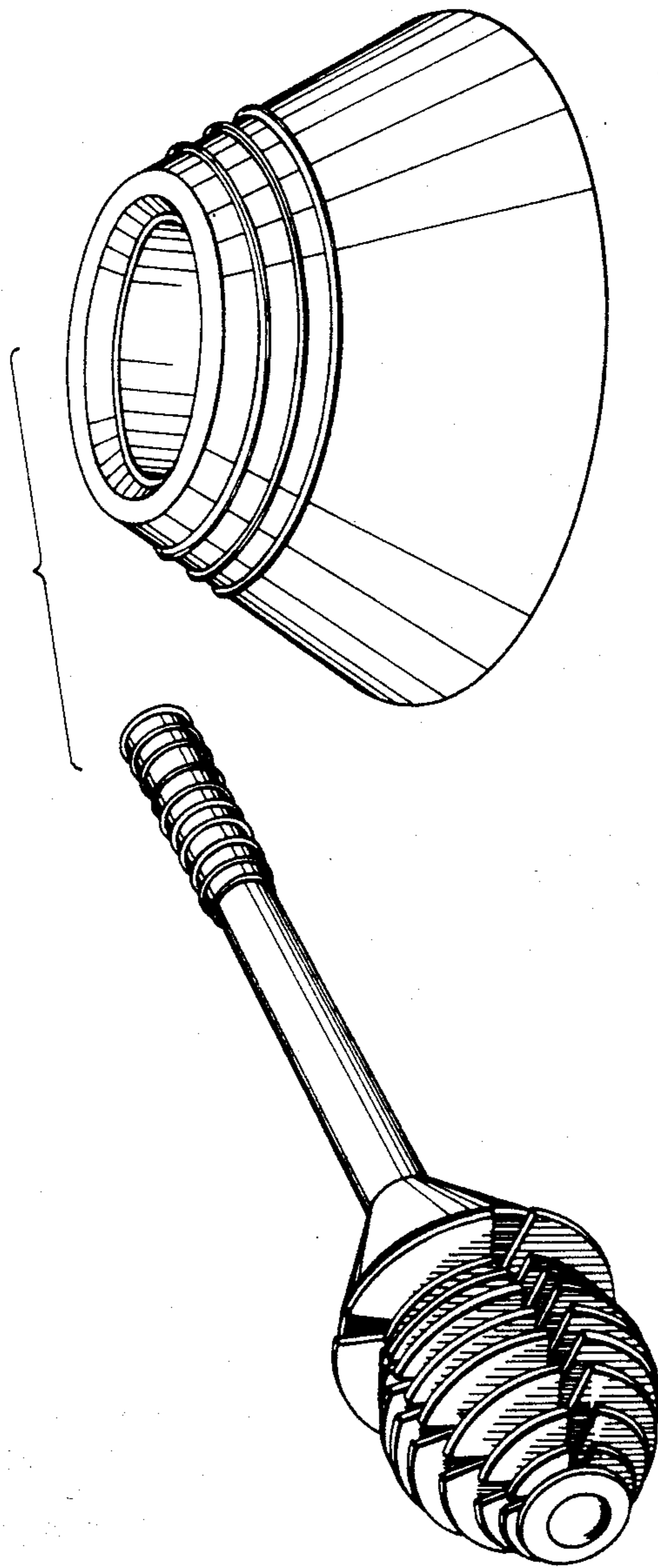


FIG. 2

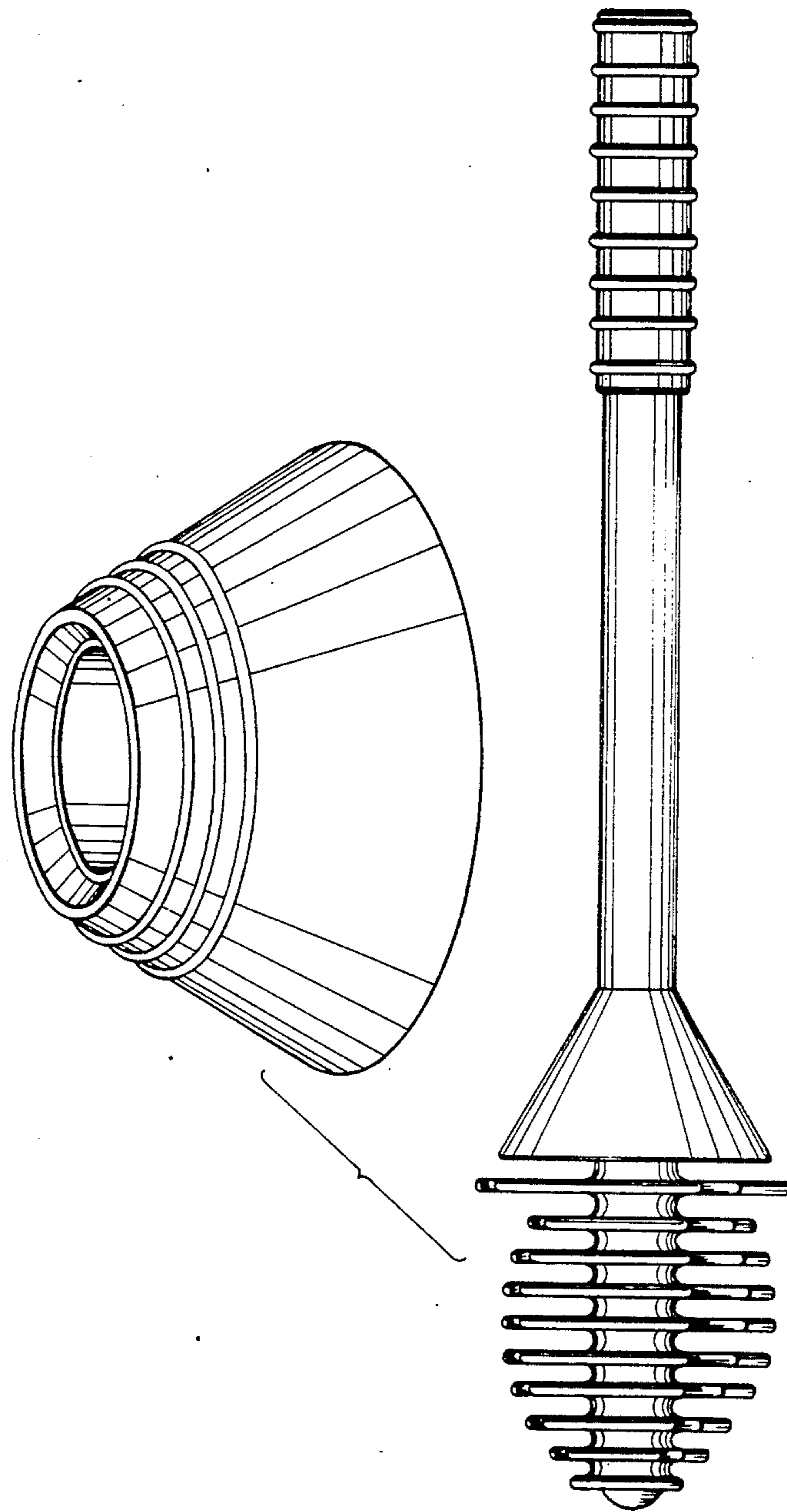


FIG. 3

UNITED STATES PATENT AND TRADEMARK OFFICE
CERTIFICATE OF CORRECTION

PATENT NO. : Des. 290,798
DATED : July 14, 1987
INVENTOR(S) : Alessandro ZULIANI

It is certified that error appears in the above-identified patent and that said Letters Patent is hereby corrected as shown below:

On the Title page, Item [73] change the name of the assignor from "Cosdatto SpA" to ---Cosatto SpA---.

Signed and Sealed this
Twenty-sixth Day of January, 1988

Attest:

Attesting Officer

DONALD J. QUIGG

Commissioner of Patents and Trademarks