

[54] TABLE

[75] Inventor: Robert B. Becker, North Salem, N.Y.

[73] Assignee: Helikon Furniture Co., Taftville, Conn.

[**] Term: 14 Years

[21] Appl. No.: 674,607

[22] Filed: Nov. 26, 1984

[52] U.S. Cl. D6/480; D6/486

[58] Field of Search D6/449, 422-428, D6/480, 484, 486, 487

[56] References Cited

U.S. PATENT DOCUMENTS

D. 151,586	11/1948	Buckner	D6/486
D. 233,088	10/1974	Skarky	D6/486 X
D. 261,459	10/1981	Berman et al.	D6/422
D. 265,782	8/1982	Ohle	D6/486 X
D. 285,760	9/1986	Milling	D6/486

OTHER PUBLICATIONS

Interiors, Jul. 1977, p. 22, Octagon Table, top left by Brio.

Arbitare Magazine, Mar. 1982, p. 126, Table.

Primary Examiner—Bruce W. Dunkins

Attorney, Agent, or Firm—Darby & Darby

[57] CLAIM

The ornamental design for a table, as shown and described.

DESCRIPTION

FIG. 1 is a perspective view of a table showing my design;

FIG. 2 is a top plan view;

FIG. 3 is an elevational view showing one of the two identical sides;

FIG. 4 is an elevational view showing one of the two identical ends; and

FIG. 5 is a bottom plan view thereof.

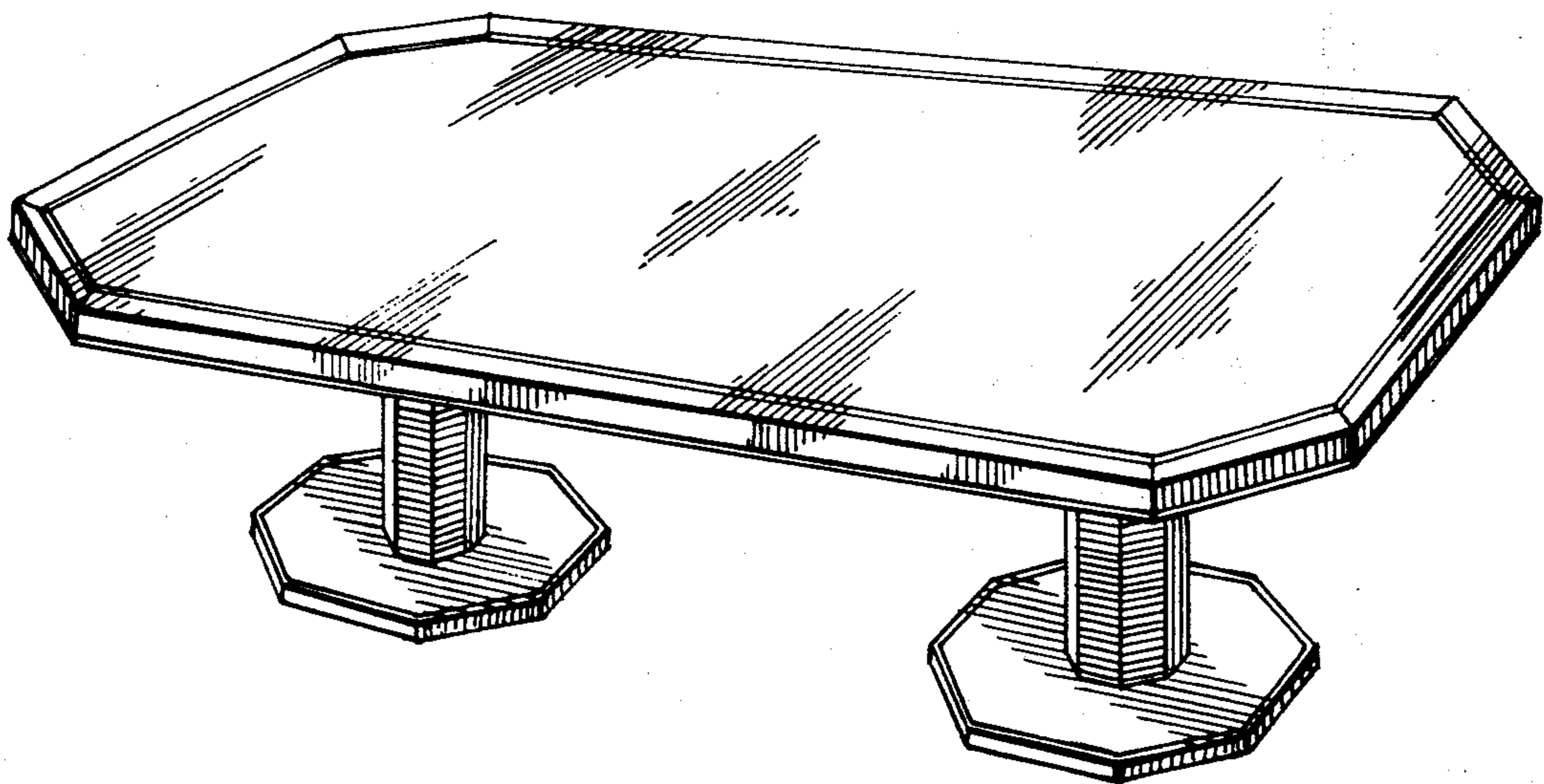


FIG. 1

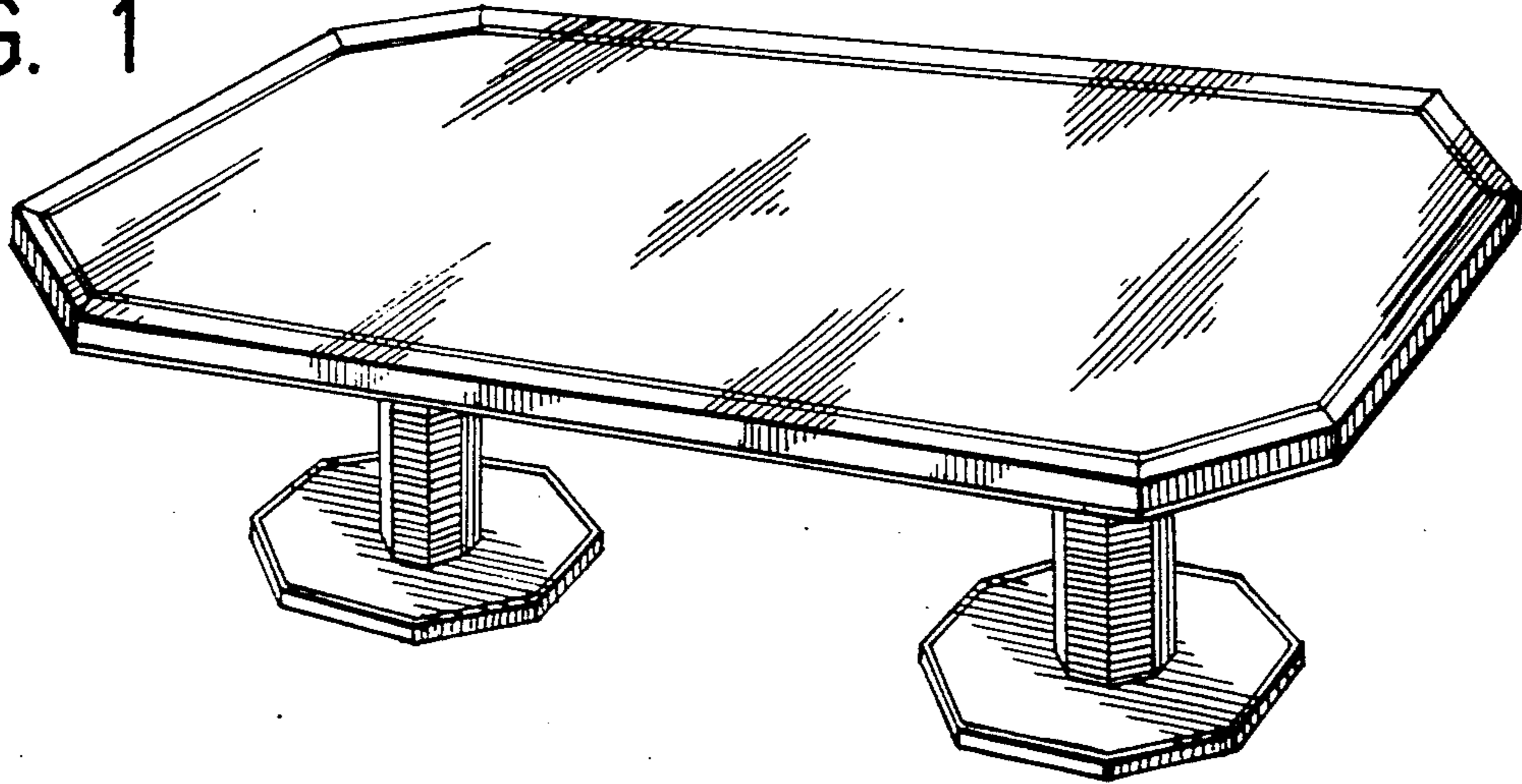


FIG. 2

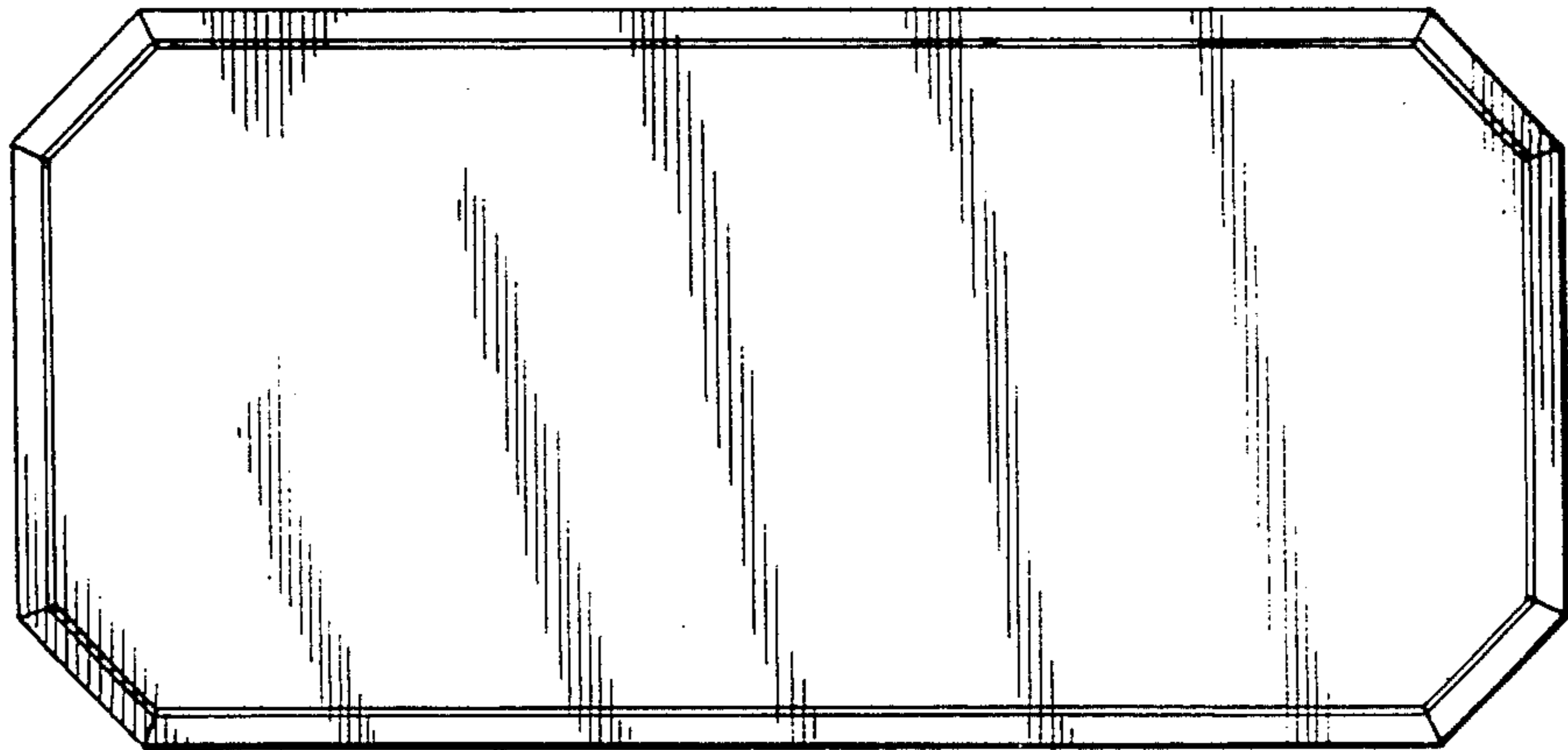


FIG. 3

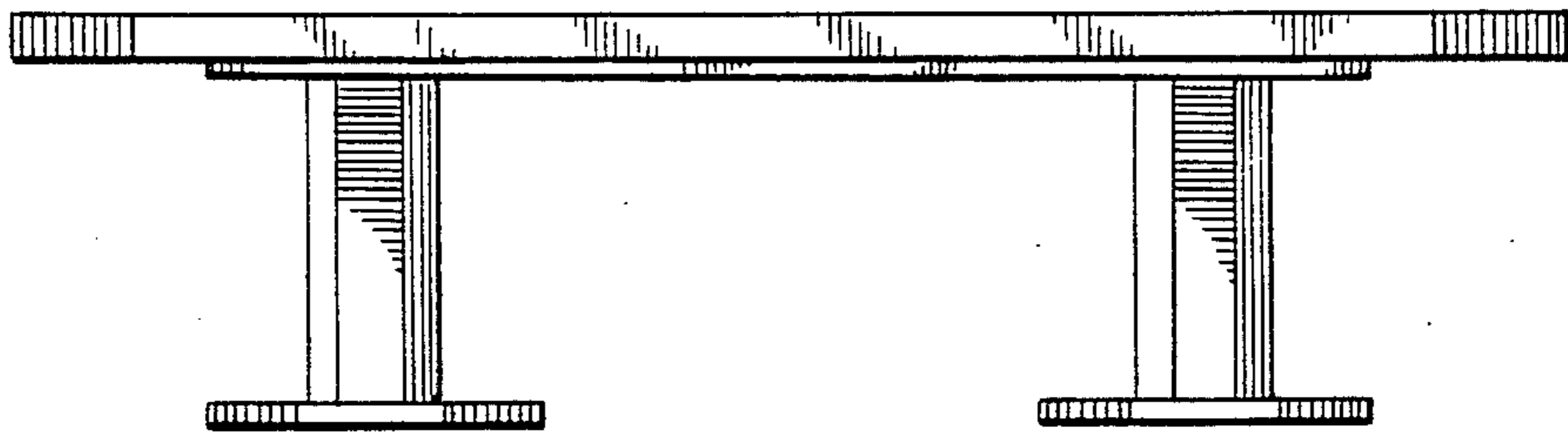


FIG. 4

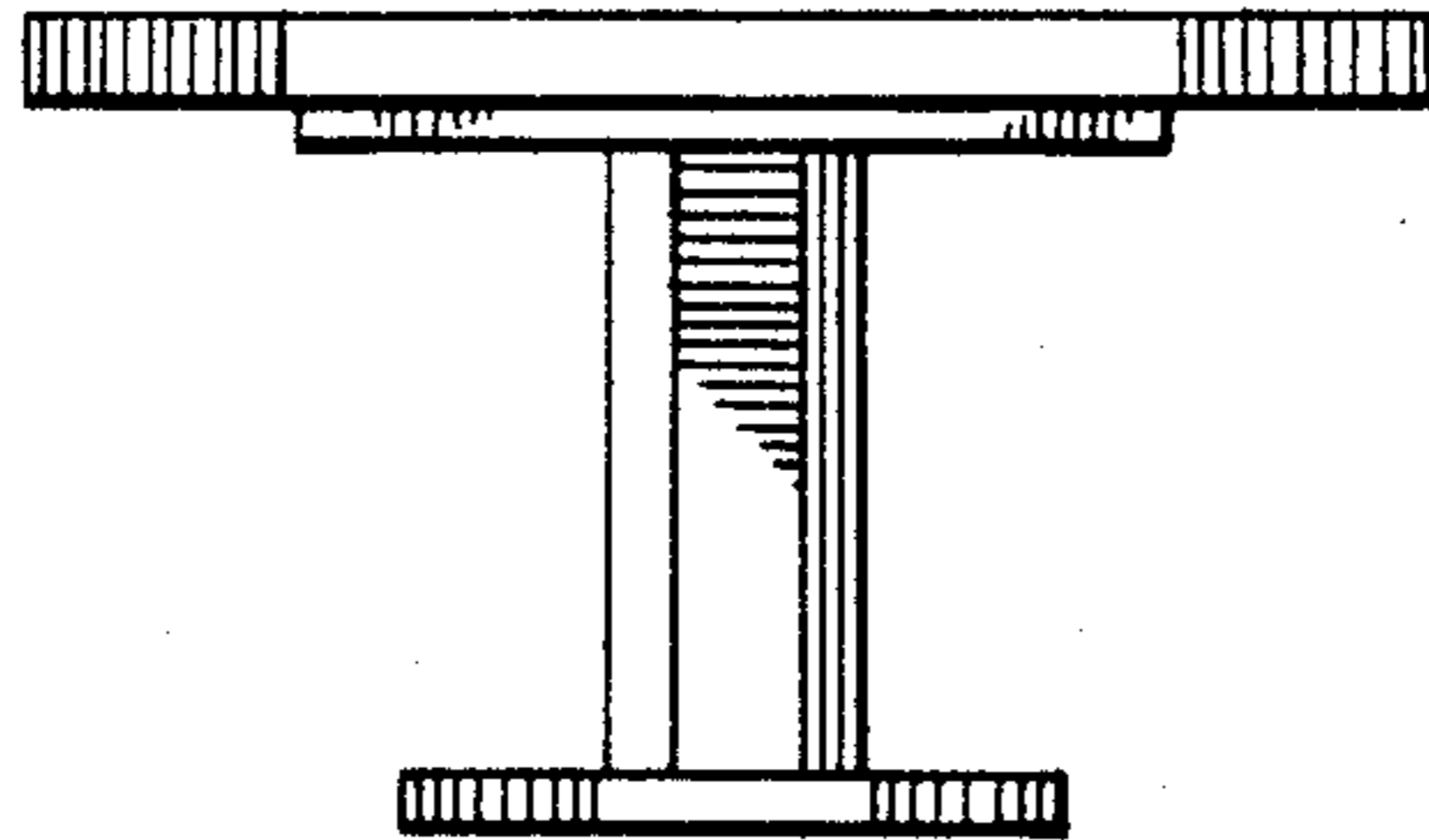


FIG. 5

