

[54] DISPLAY STAND

[76] Inventors: Rudolph Lukezich; Richard Lukezich, both of 1211 N. Maple, Royal Oak, Mich. 48067

[\*\*] Term: 14 Years

[21] Appl. No.: 653,098

[22] Filed: Sep. 24, 1984

Related U.S. Application Data

[63] Continuation of Ser. No. 418,408, Sep. 9, 1982.
[52] U.S. Cl. D6/462
[58] Field of Search 211/45, 51, 89, 181; 248/146, 153, 176, 49.1, 50, 51, 133; D6/486, 487, 365, 403, 429, 430, 455, 458, 462

[56] References Cited

U.S. PATENT DOCUMENTS

D. 34,227 3/1901 Morrow D6/455
D. 220,015 2/1971 Schremmer D6/429
D. 221,970 9/1971 Kelly D6/403

295,940 4/1884 Plummer 211/51
557,623 4/1896 Sternberger 211/51
630,314 8/1899 Bankmann et al. 211/51
825,067 7/1906 McPike 211/51
1,245,494 11/1917 Morris 211/51
3,927,768 12/1975 Cohen 211/181 X

OTHER PUBLICATIONS

Howell Modern Chromsteel Furniture ©1937, p. 35, Item #185 "Smoker" bottom right on page.

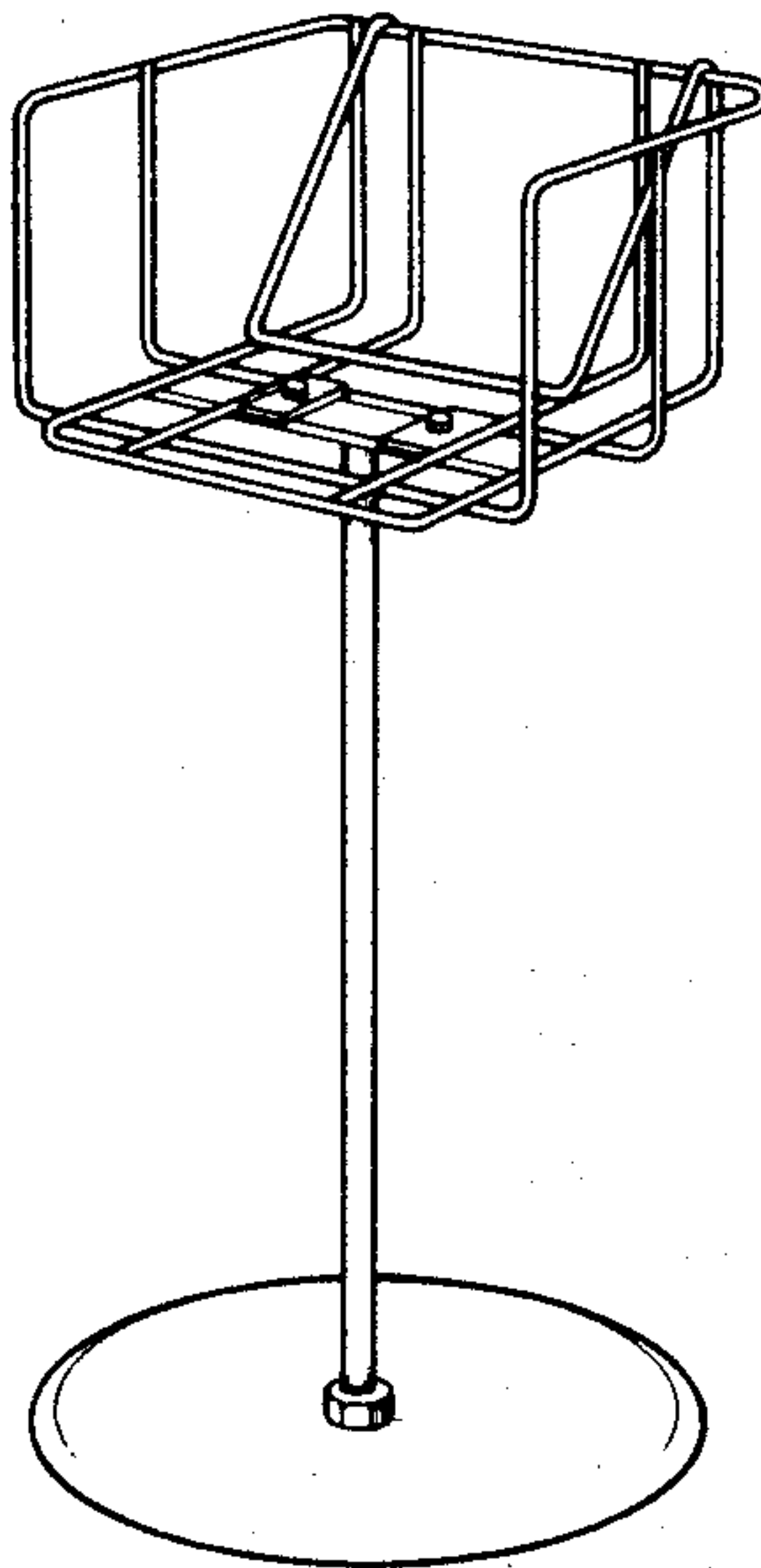
Primary Examiner—Carmen H. Vales
Attorney, Agent, or Firm—Gifford, Groh, VanOphem, Sheridan, Sprinkle and Dolgorukov

[57] CLAIM

The ornamental design for a display stand, as shown and described.

DESCRIPTION

FIG. 1 is a perspective view of a display stand showing our new design; FIG. 2 is a right side elevational view thereof; and FIG. 3 is a front elevational view, the shaft broken away for convenience of illustration.



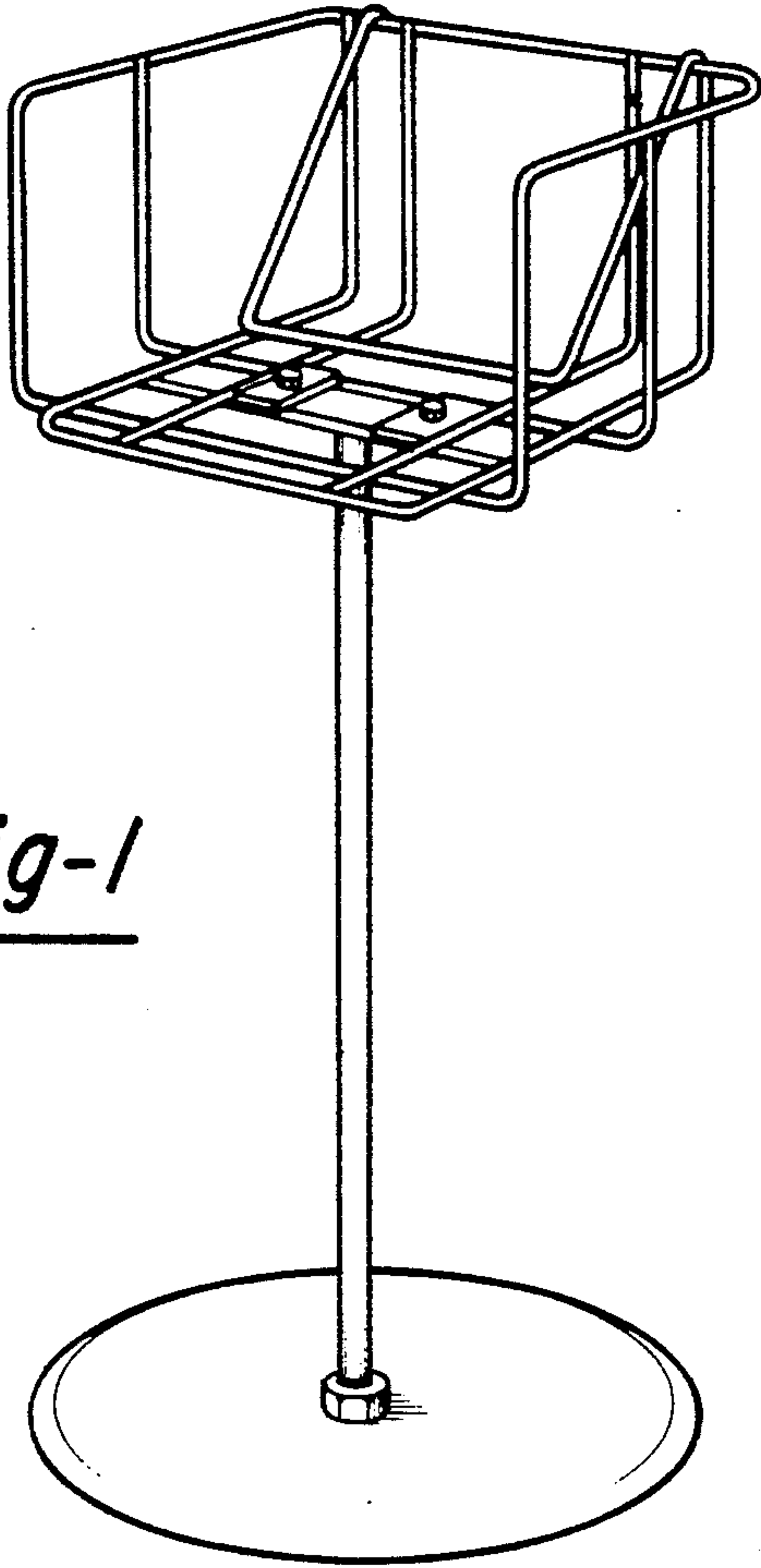


Fig-1

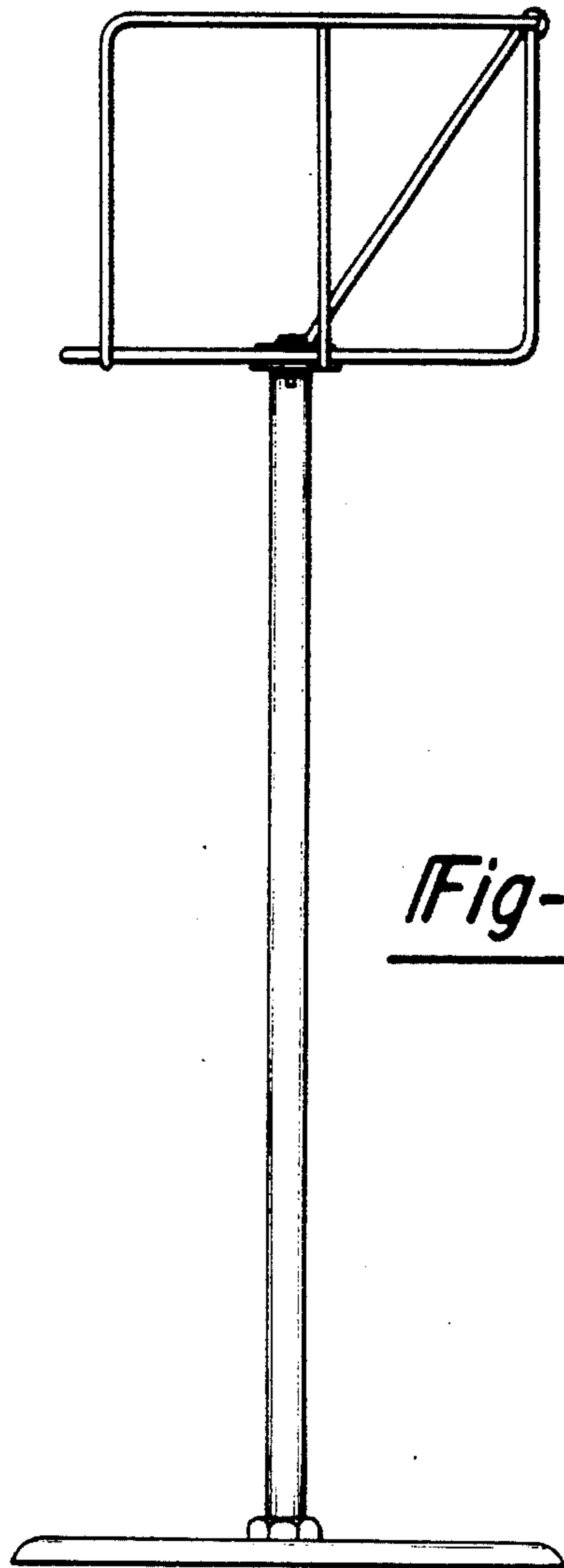


Fig-2

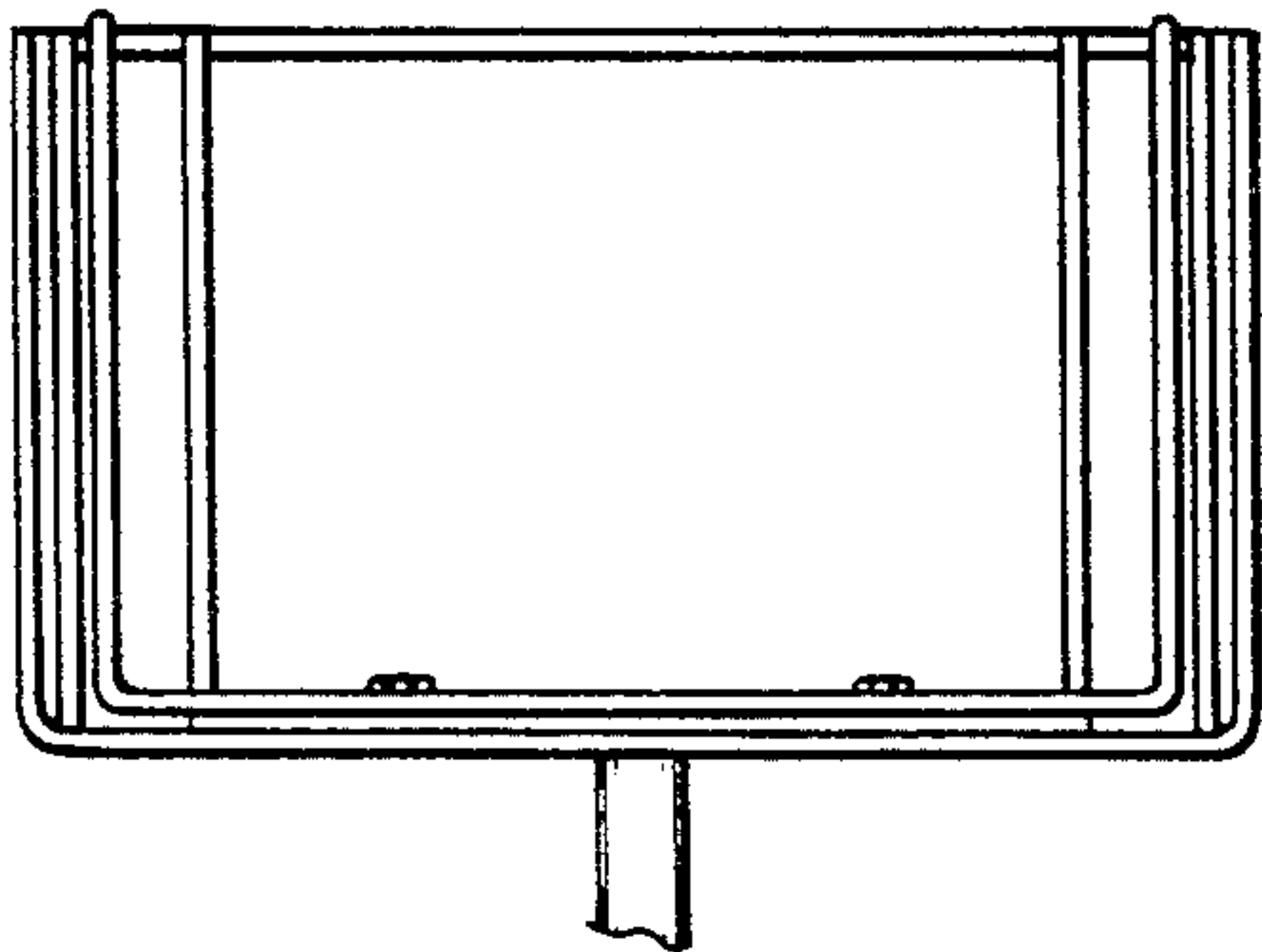


Fig-3