

[54] DISPENSER RACK FOR CANS OR BOTTLES

[75] Inventors: Walter Nathan, Glencoe; Armand S. Zucker, Skokie, both of Ill.

[73] Assignee: RTC Industries, Inc., Chicago, Ill.

[**] Term: 14 Years

[21] Appl. No.: 716,328

[22] Filed: Mar. 26, 1985

[52] U.S. Cl. D6/408; D6/515

[58] Field of Search D6/408, 491, 492, 493, D6/494, 511, 515, 517, 518, 572, 574; 312/42, 45; 211/59.2

[56] References Cited

U.S. PATENT DOCUMENTS

- D. 268,068 3/1983 Ellenson et al. D6/515
- D. 277,154 1/1985 Nasgowitz D6/408
- 2,915,162 12/1959 Umstead 312/45 X

- 3,784,022 1/1974 Beesley, Jr. 211/59.2
- 4,105,126 8/1978 Deffner et al. 211/59.2
- 4,356,923 11/1982 Young et al. 211/59.2
- 4,423,818 1/1984 Spamer 211/59.2
- 4,474,297 10/1984 Zucker 312/45 X
- 4,598,828 7/1986 Young et al. 211/59.2

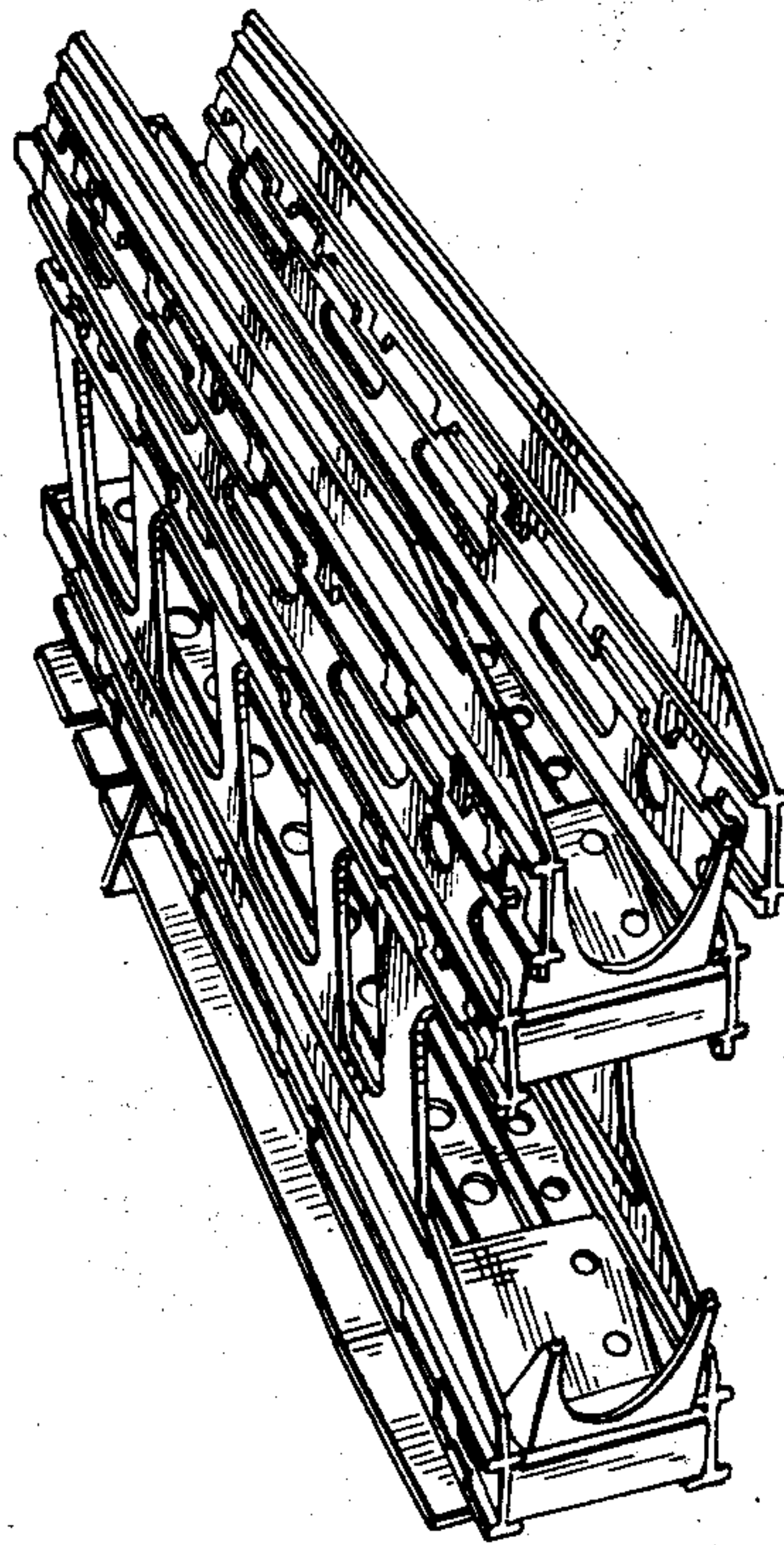
Primary Examiner—Carmen H. Vales
Attorney, Agent, or Firm—Norman Lettvin

[57] CLAIM

The ornamental design for a dispenser rack for cans or bottles, as shown.

DESCRIPTION

FIG. 1 is a perspective view of a dispenser rack for cans or bottles showing our new design; FIG. 2 is a side elevational view thereof; FIG. 3 is a top plan view thereof; FIG. 4 is a front elevational view thereof; and FIG. 5 is a rear elevational view thereof.



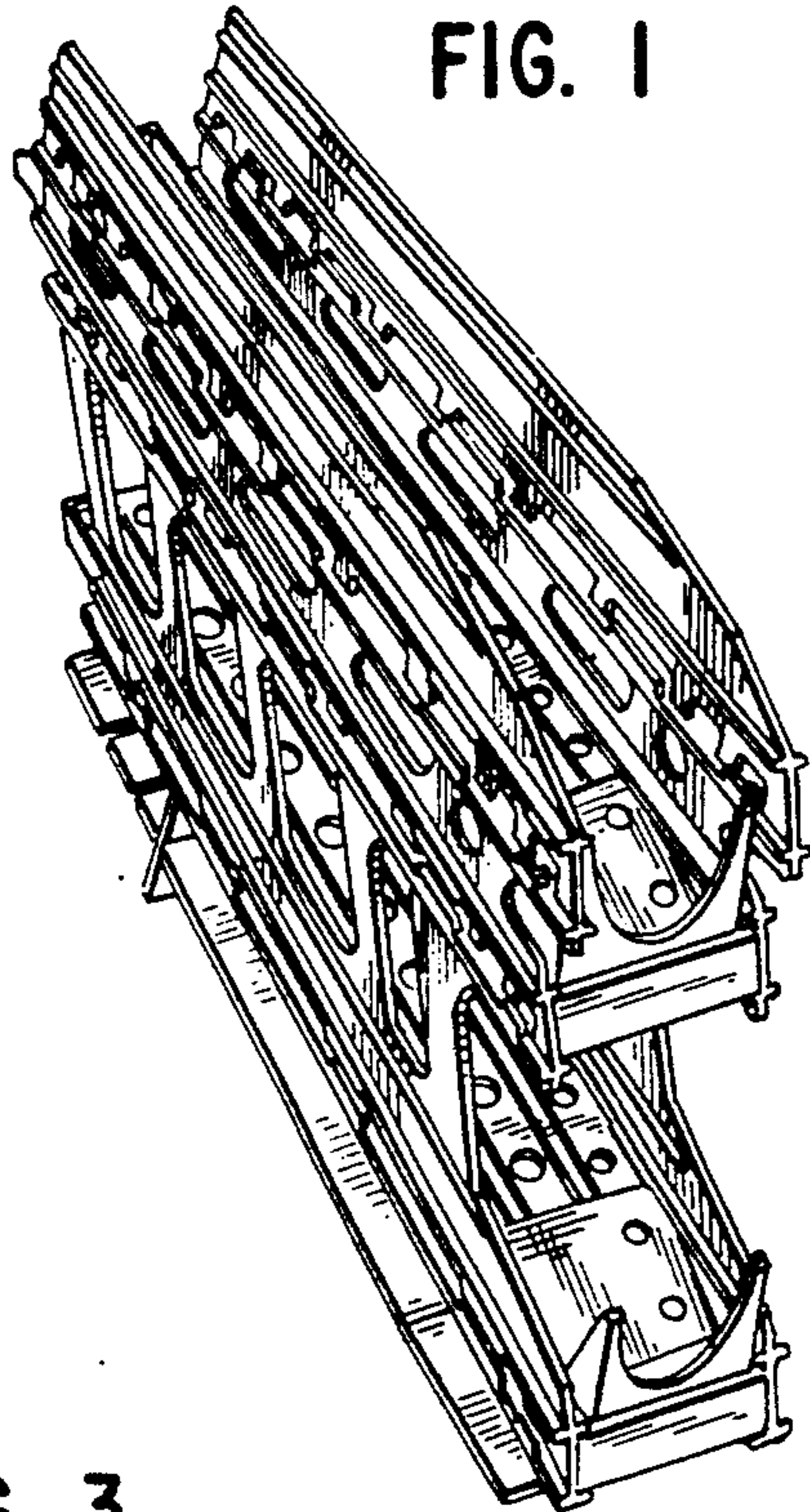


FIG. 1

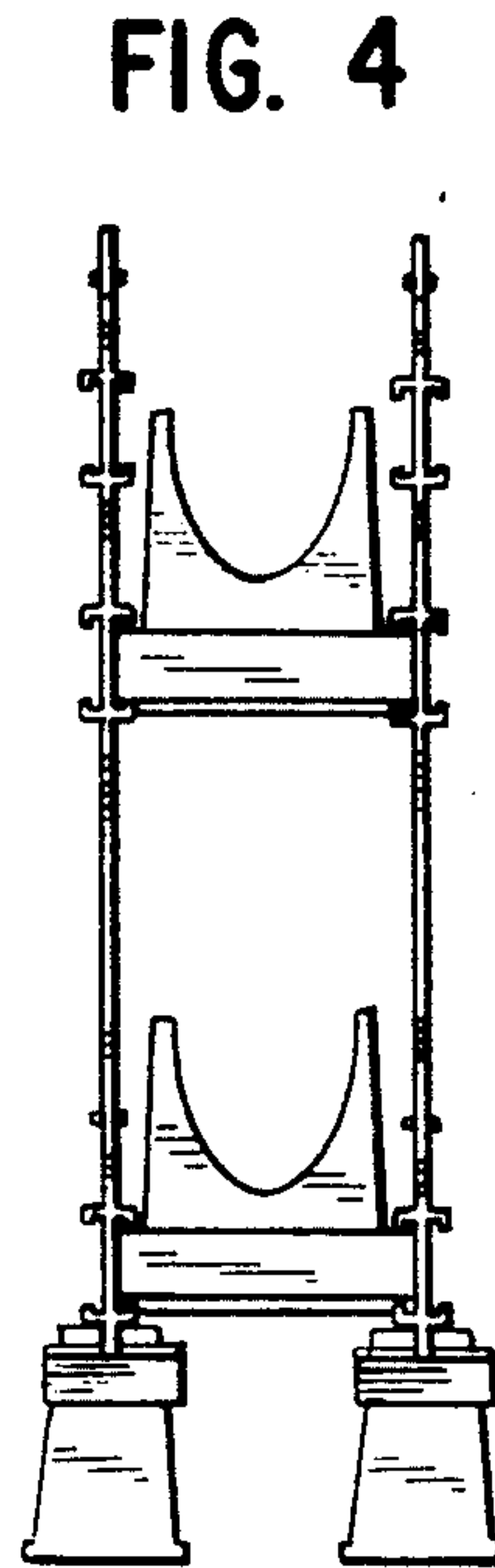


FIG. 4

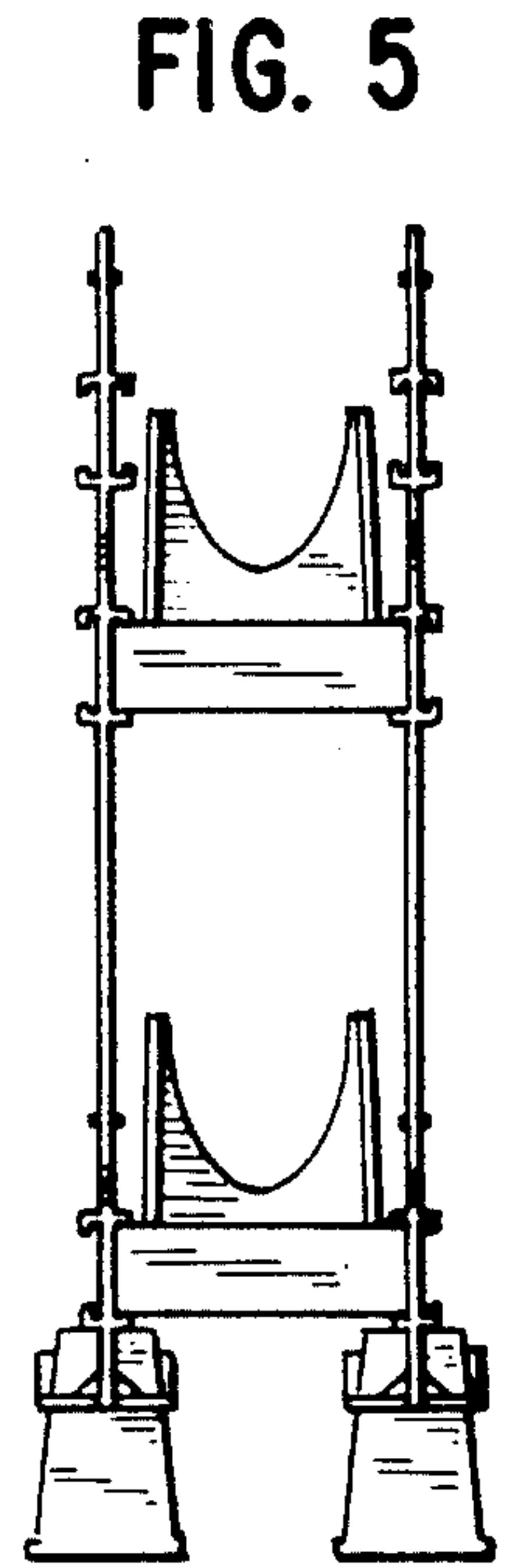


FIG. 5

FIG. 3

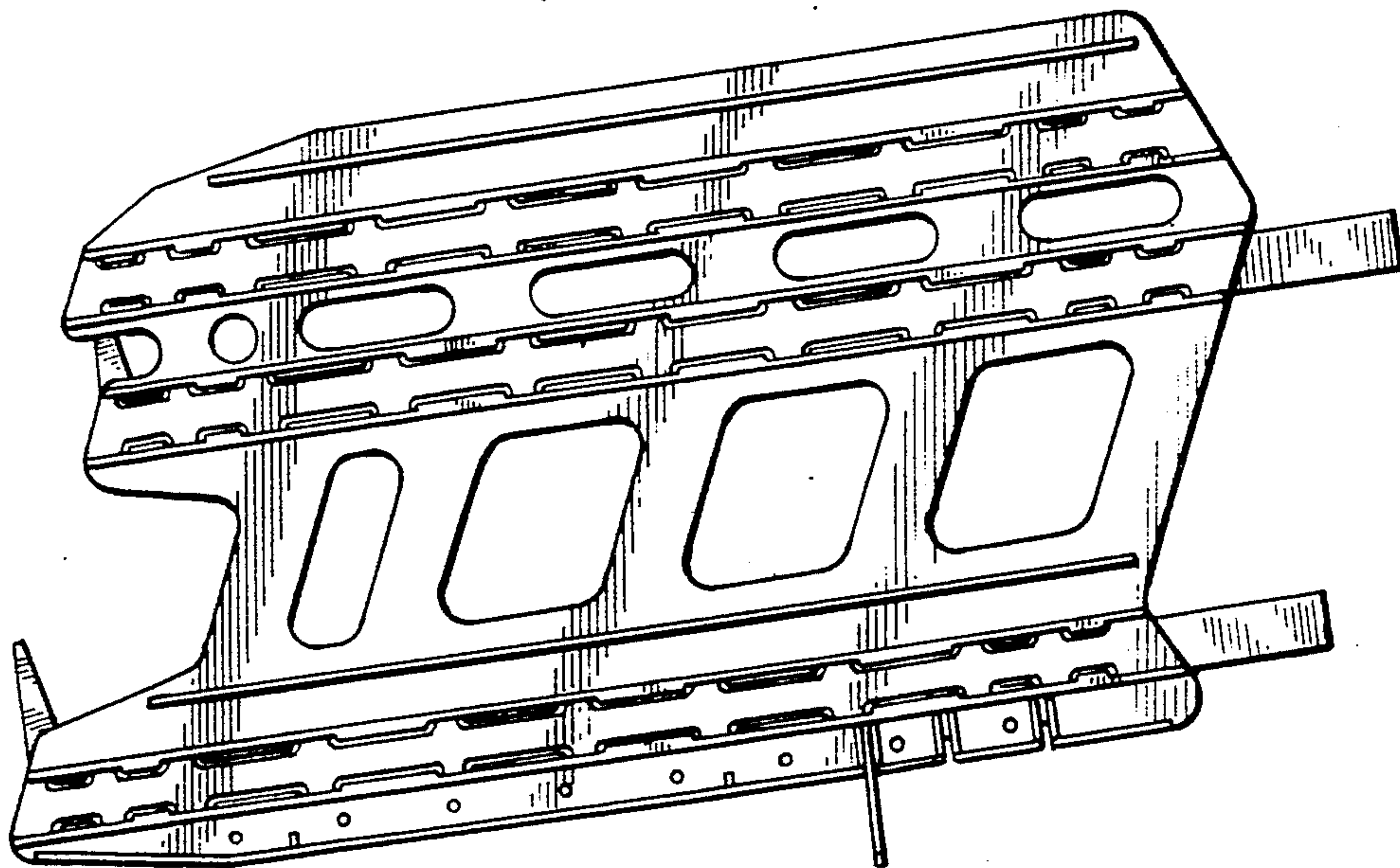
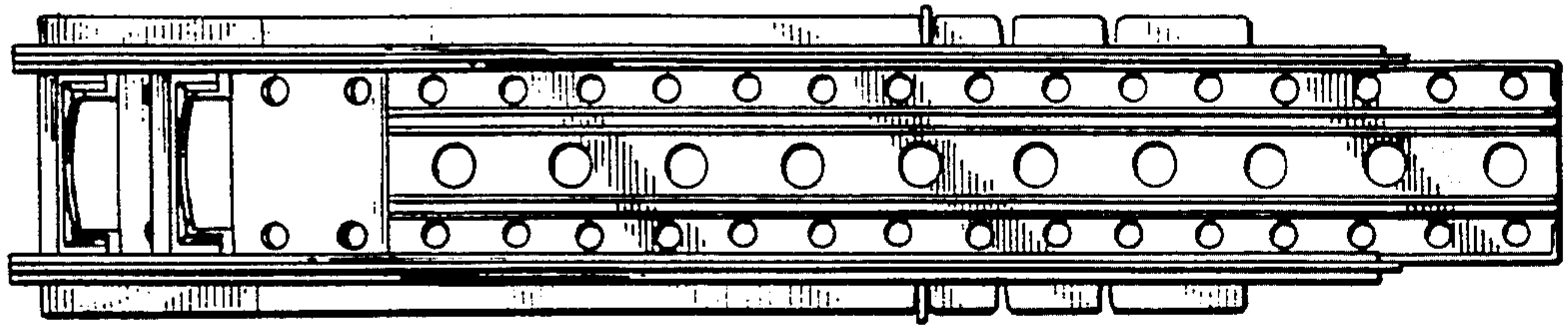


FIG. 2