

[54] SUCTION TOOL FOR REMOVING TIN DURING DESOLDERING OPERATION

3,818,539 6/1974 Fortune 15/341
3,912,149 10/1975 Fortune 228/20
4,292,706 10/1981 Fortune 228/20

[75] Inventor: Rolf Wallin, Järfälla, Sweden

[73] Assignee: Rolf Lundell, Jarfalla, Sweden

[**] Term: 14 Years

[21] Appl. No.: 598,720

[22] Filed: Apr. 10, 1984

[52] U.S. Cl. D32/17; D8/30

[58] Field of Search D32/17, 25, 30, 31-33;
D8/30, 51; 228/20-21, 51-52; 15/341, 415 R

[56] References Cited

U.S. PATENT DOCUMENTS

D. 237,139	10/1975	Fortune	D8/30
D. 271,371	11/1983	Fortune	D8/30
3,289,399	12/1966	Princiotta, Jr.	15/415 R
3,443,734	5/1969	Fortune	228/52
3,543,990	12/1970	Fortune	228/20

OTHER PUBLICATIONS

Ungar Soldering and Desoldering Equipment, p. 17, item F #7874.

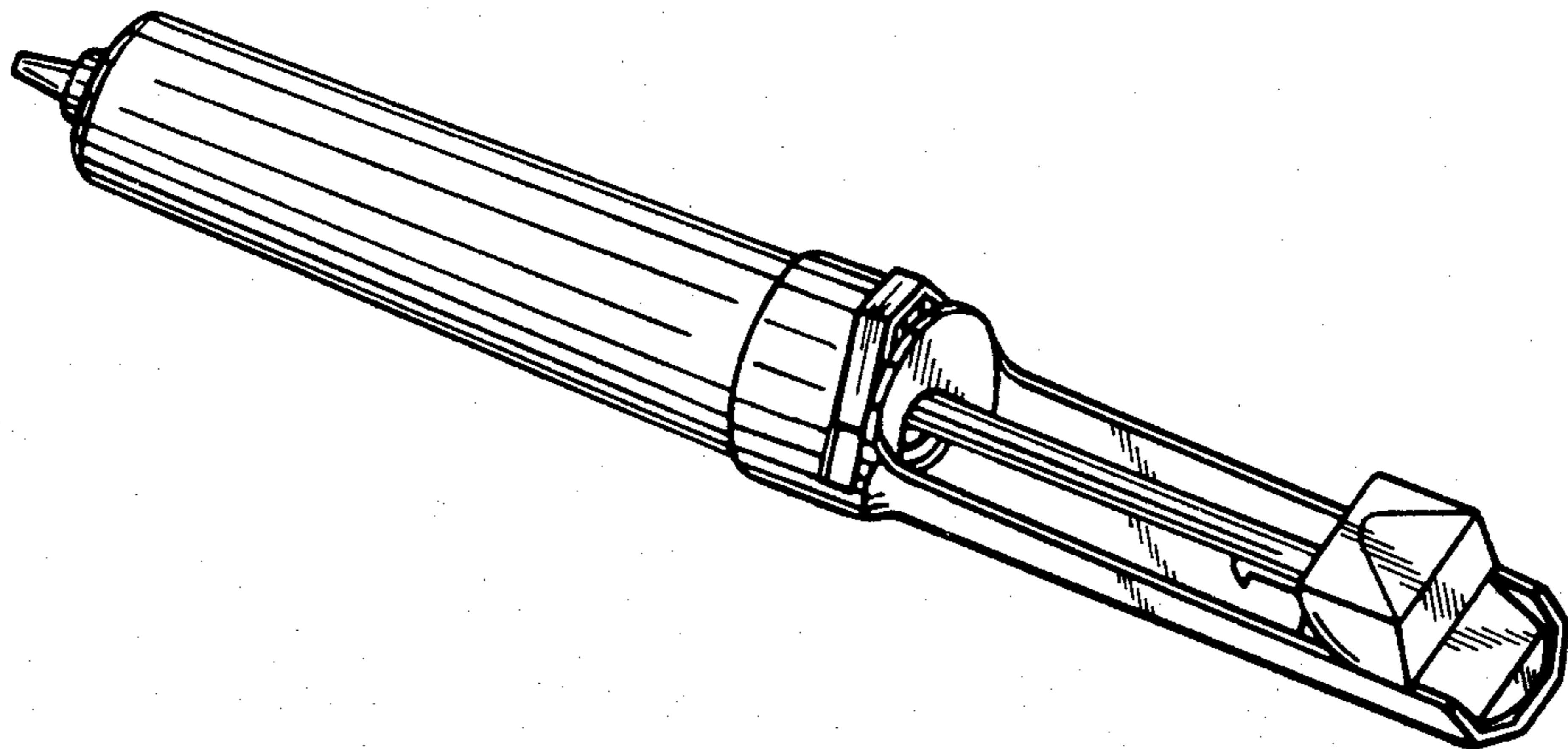
Primary Examiner—Wallace R. Burke
Assistant Examiner—Ruth E. Takemoto
Attorney, Agent, or Firm—Holman & Stern

[57] CLAIM

The ornamental design for suction tool for removing tin during desoldering operation, as shown in FIGS. 1-2.

DESCRIPTION

FIG. 1 is a top and side perspective view of a suction tool for removing tin during desoldering operation, showing my new design;
FIG. 2 is a bottom and side perspective view thereof;
FIG. 3 is a top plan view thereof.



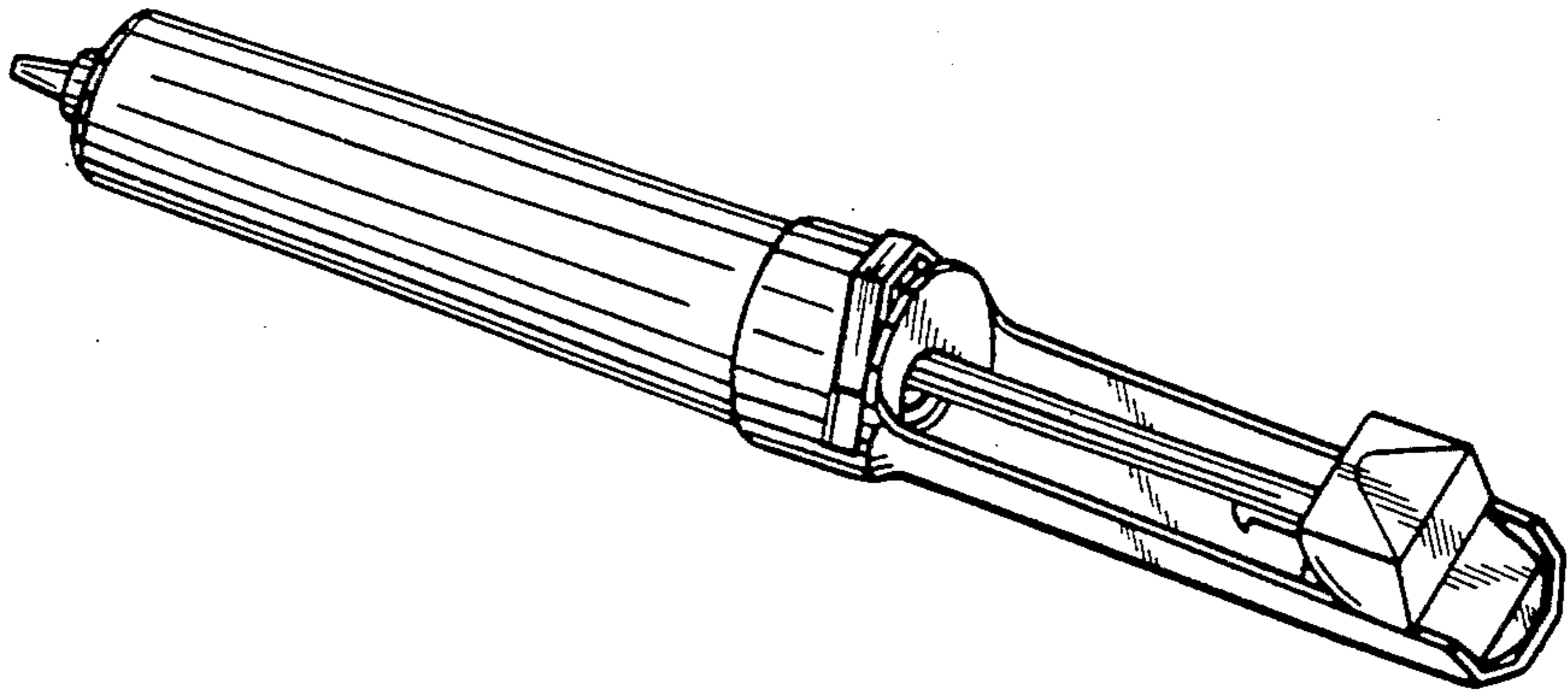


FIG. 1

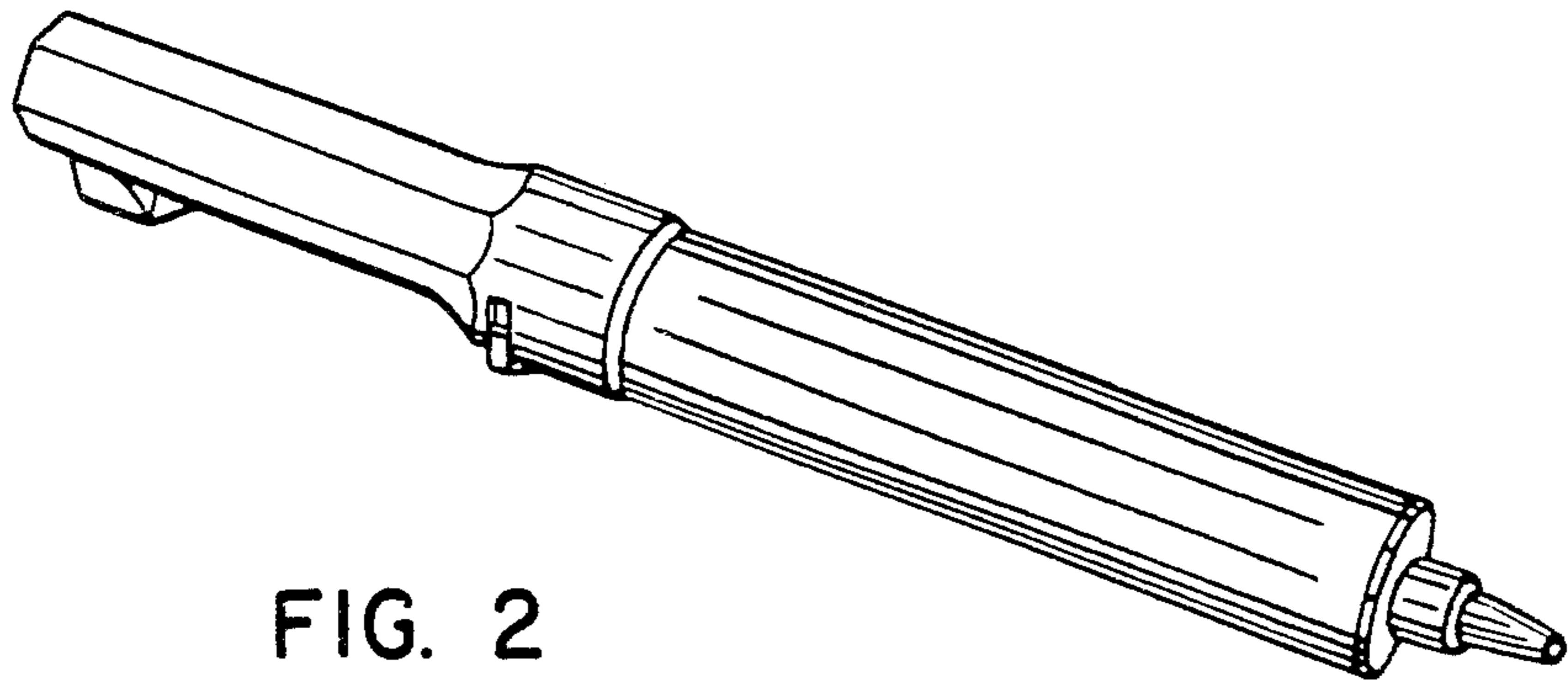


FIG. 2

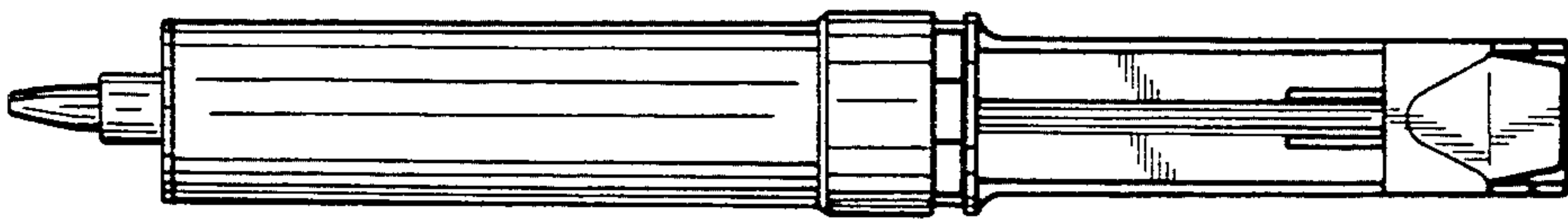


FIG. 3