

[54] SUPPORT BRACKET FOR A CAGE MOUNTED POULTRY WATERING DEVICE OR SIMILAR ARTICLE

[75] Inventor: Eldon Hostetler, Middlebury, Ind.

[73] Assignee: Ziggity Systems, Inc., Middlebury, Ind.

[**] Term: 14 Years

[21] Appl. No.: 932,387

[22] Filed: Nov. 19, 1986

- 3,838,664 10/1974 Atchley .
- 3,964,440 6/1976 Hart .
- 4,284,036 8/1981 Hostetler .
- 4,389,977 6/1983 Borak .
- 4,444,149 4/1984 Shomer .

Primary Examiner—James R. Largen
Attorney, Agent, or Firm—Barnes & Thornburg

[57] CLAIM

The ornamental design for a support bracket for a cage mounted poultry watering device or similar article, substantially as shown and described.

DESCRIPTION

FIG. 1 is a prospective view taken from the bottom, front, and left side of a support bracket for a cage mounted poultry watering unit or similar article showing my new design;

FIG. 2 is a left side elevational view thereof;

FIG. 3 is right side elevational view thereof;

FIG. 4 is bottom plan view thereof;

FIG. 5 is a top plan view thereof;

FIG. 6 is front elevational view thereof;

FIG. 7 is a rear elevational view thereof; and

FIG. 8 is another perspective view taken from the bottom, front and left side thereof, the fragmentary broken line representation of a wire cage and a watering unit are for purposes of illustration only.

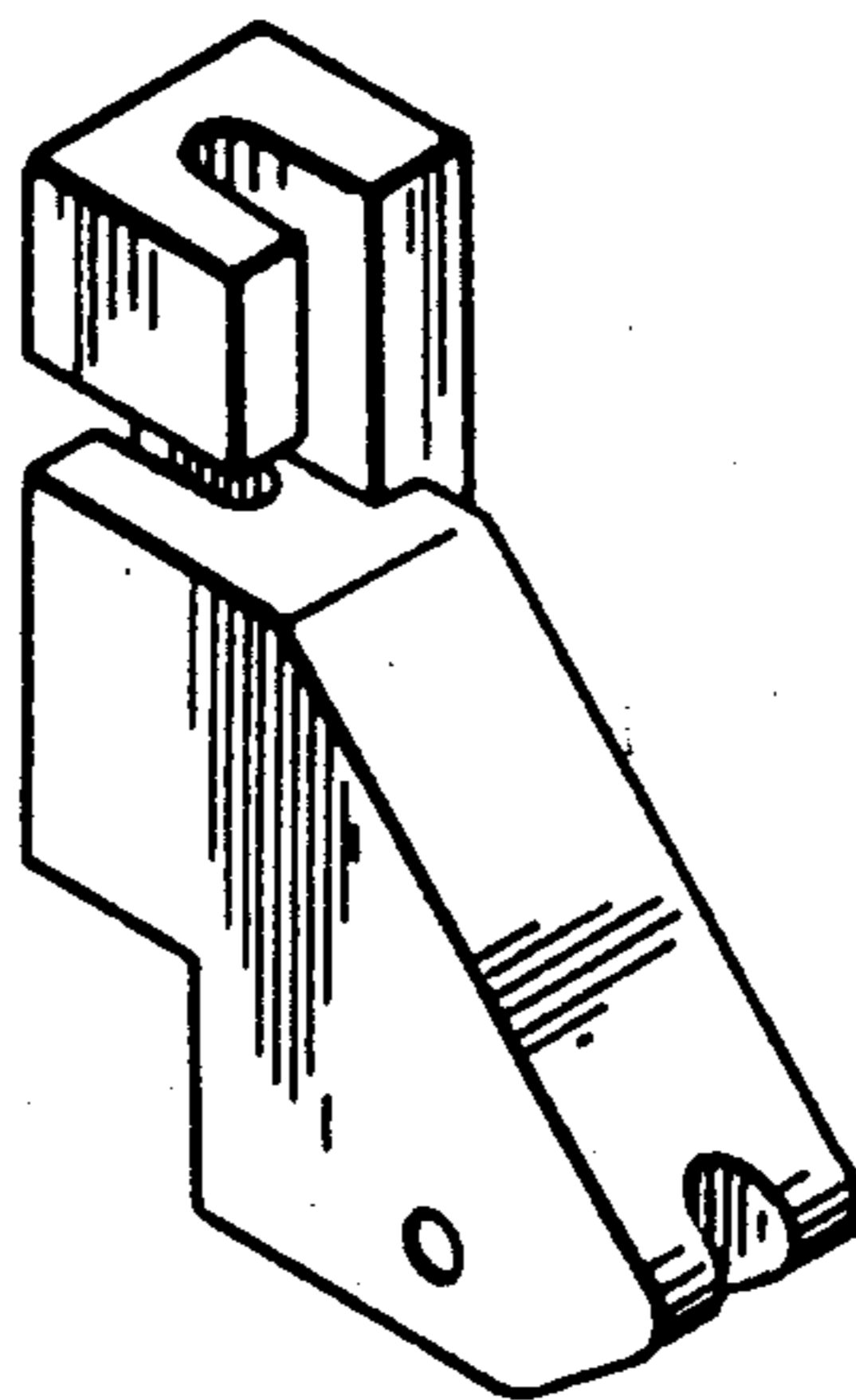
Related U.S. Application Data

- [62] Division of Ser. No. 688,363, Jan. 2, 1985.
- [52] U.S. Cl. D30/14
- [58] Field of Search D30/13-18;
119/72.5, 75

References Cited

U.S. PATENT DOCUMENTS

- D. 150,917 9/1948 Berg .
- D. 177,053 4/1956 Kofford D30/16
- D. 222,271 10/1971 Rader D30/13
- D. 234,145 1/1975 Pepler et al. D30/16
- D. 250,422 11/1978 Mallinson D30/13
- 1,446,740 2/1923 Eummelen .
- 2,848,013 8/1958 Koffard .



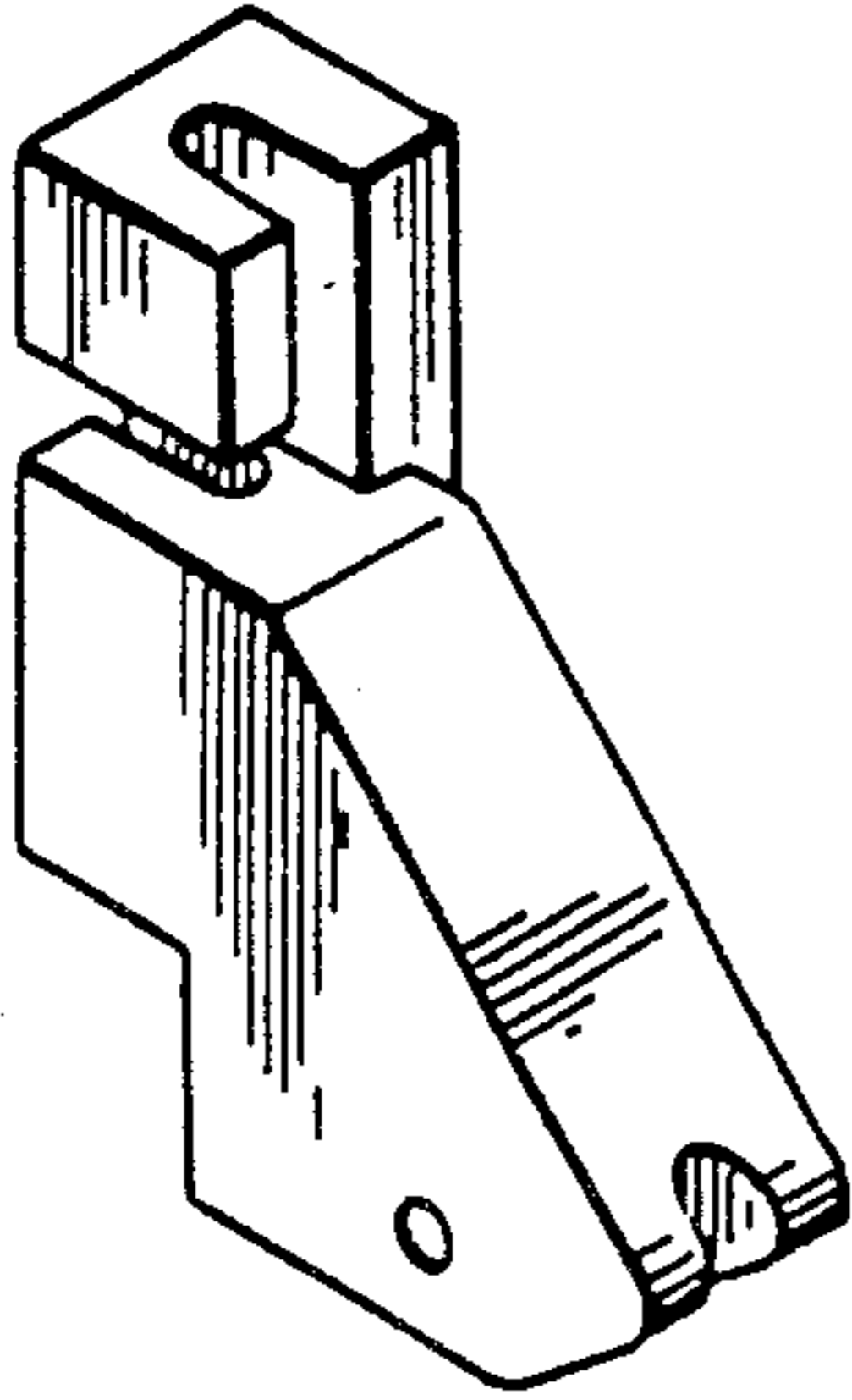


FIG. 1

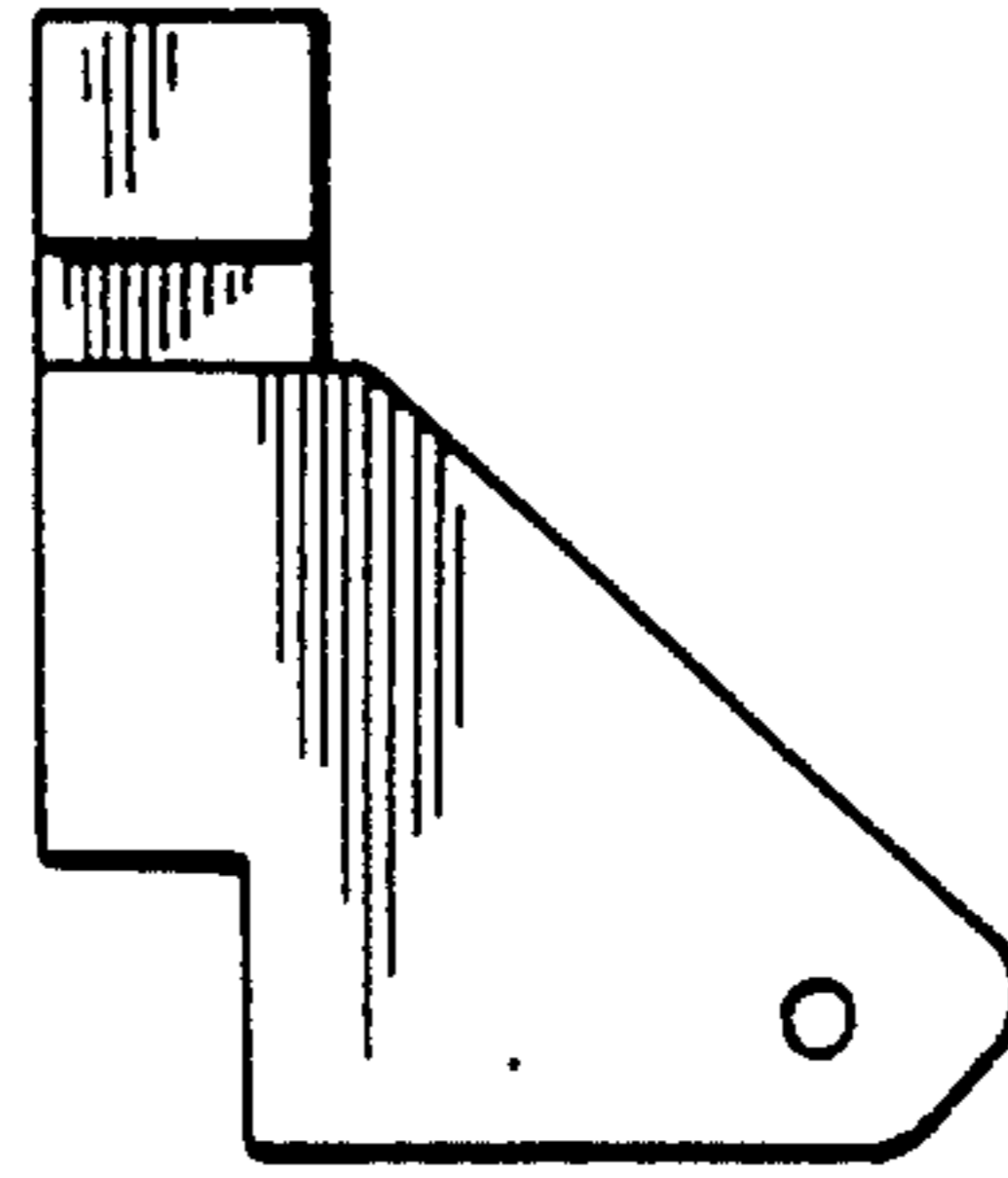


FIG. 2



FIG. 4

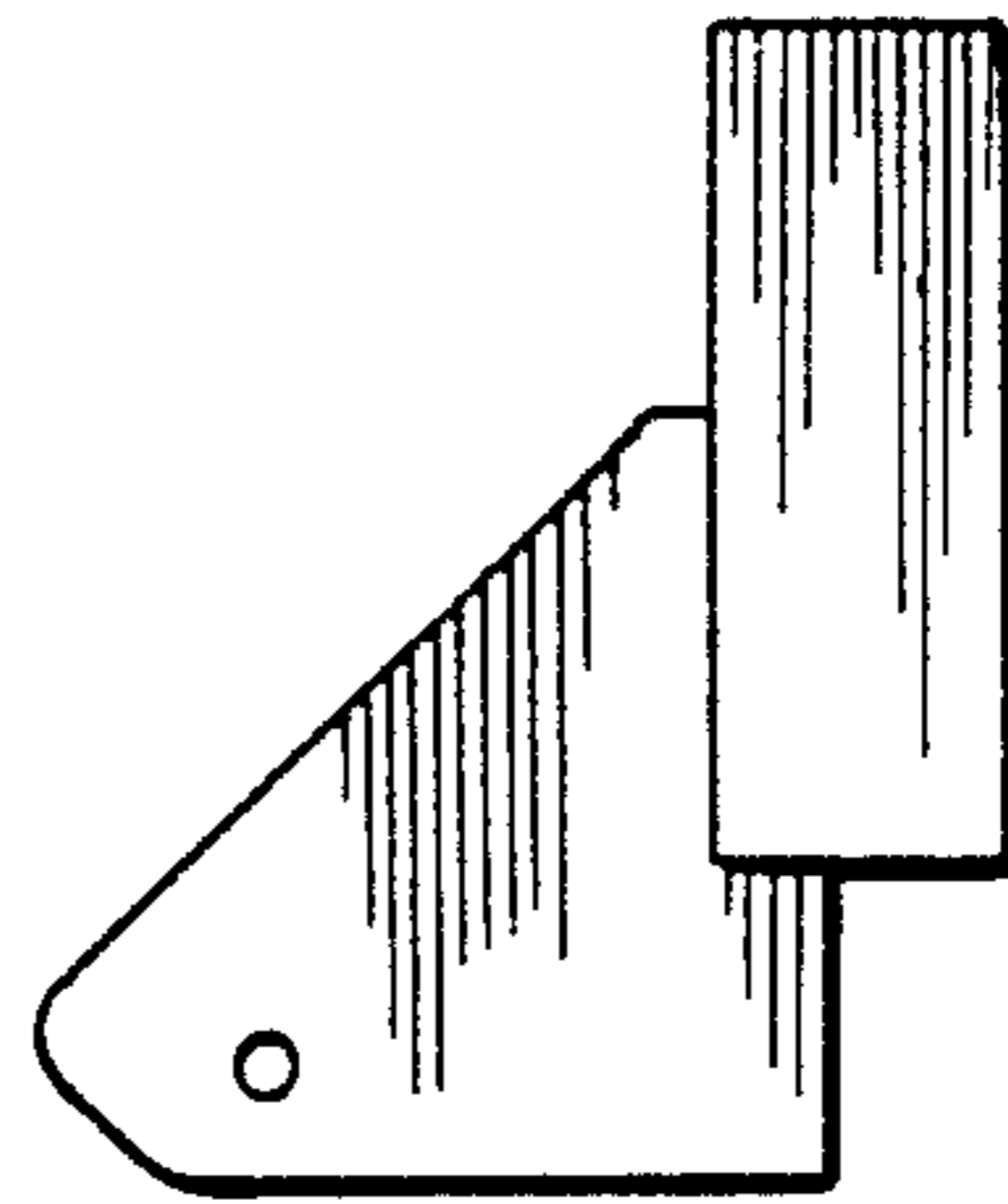


FIG. 3



FIG. 5



FIG. 6

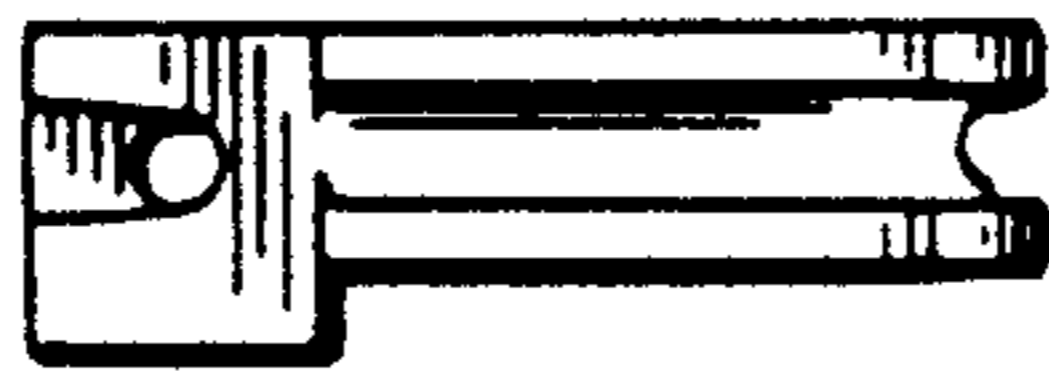


FIG. 7

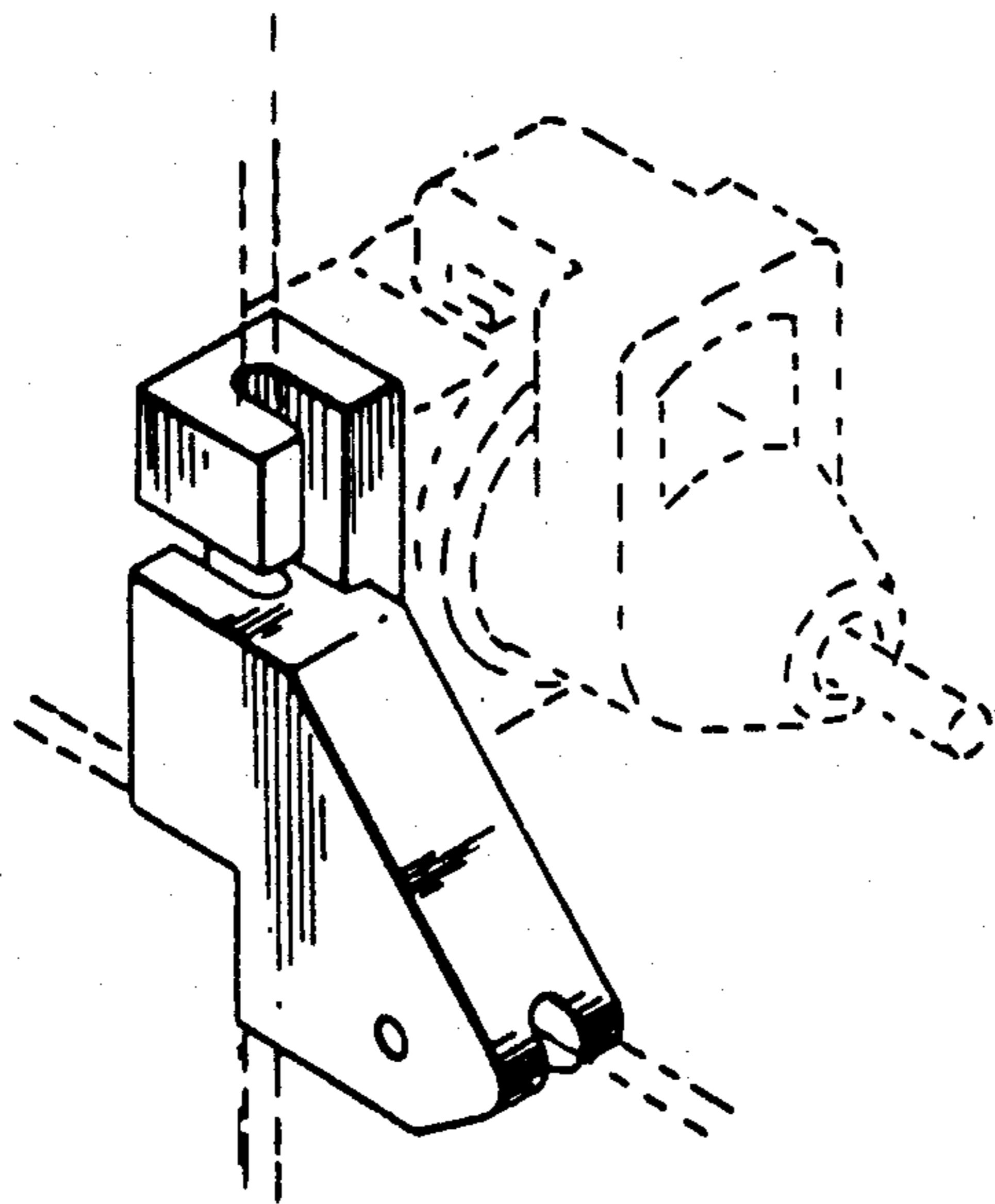


FIG. 8