

[54] STABILIZING ARM FOR POULTRY WATERING UNITS

[75] Inventor: Eldon Hostetler, Middlebury, Ind.

[73] Assignee: Ziggity Systems, Inc., Middlebury, Ind.

[**] Term: 14 Years

[21] Appl. No.: 694,416

[22] Filed: Jan. 24, 1985

[52] U.S. Cl. D30/13

[58] Field of Search D30/13-18; 119/72.58, 75

[56] References Cited

U.S. PATENT DOCUMENTS

D. 177,053	3/1956	Kofford	D30/16
D. 234,145	1/1975	Peppler	D30/16
D. 250,422	11/1978	Mallinson	D30/13
3,870,022	3/1975	Hart	.	
3,983,844	10/1976	Hart	.	

4,471,722	9/1984	Dubo et al.	119/75
4,477,812	10/1976	Duber et al.	.	

Primary Examiner—James R. Largen
Attorney, Agent, or Firm—Barnes & Thornburg

[57] CLAIM

The ornamental design for a stabilizing arm for poultry watering units, as shown and described.

DESCRIPTION

FIG. 1 is a perspective view taken from the top, front and left side of a stabilizing arm for poultry watering units showing my new design;

FIG. 2 is a left side elevational view thereof;

FIG. 3 is a right side elevational view thereof;

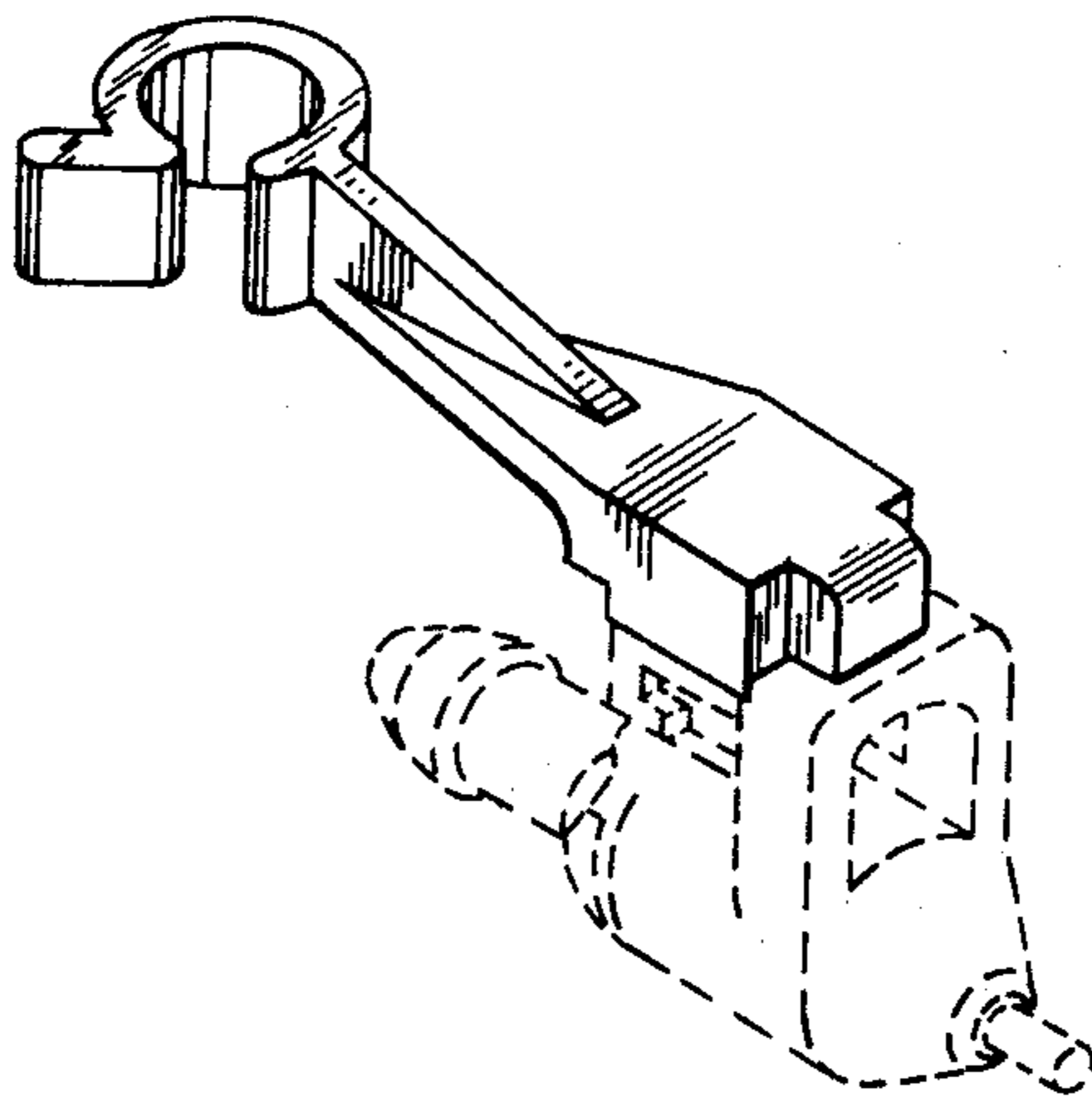
FIG. 4 is a front elevational view thereof;

FIG. 5 is a top plan view thereof;

FIG. 6 is a bottom plan view thereof; and

FIG. 7 is a rear elevational view thereof.

The broken line representation of a poultry drinking valve in FIG. 1 and a drinking valve and supply pipe in FIG. 2 is for purposes of illustration only.



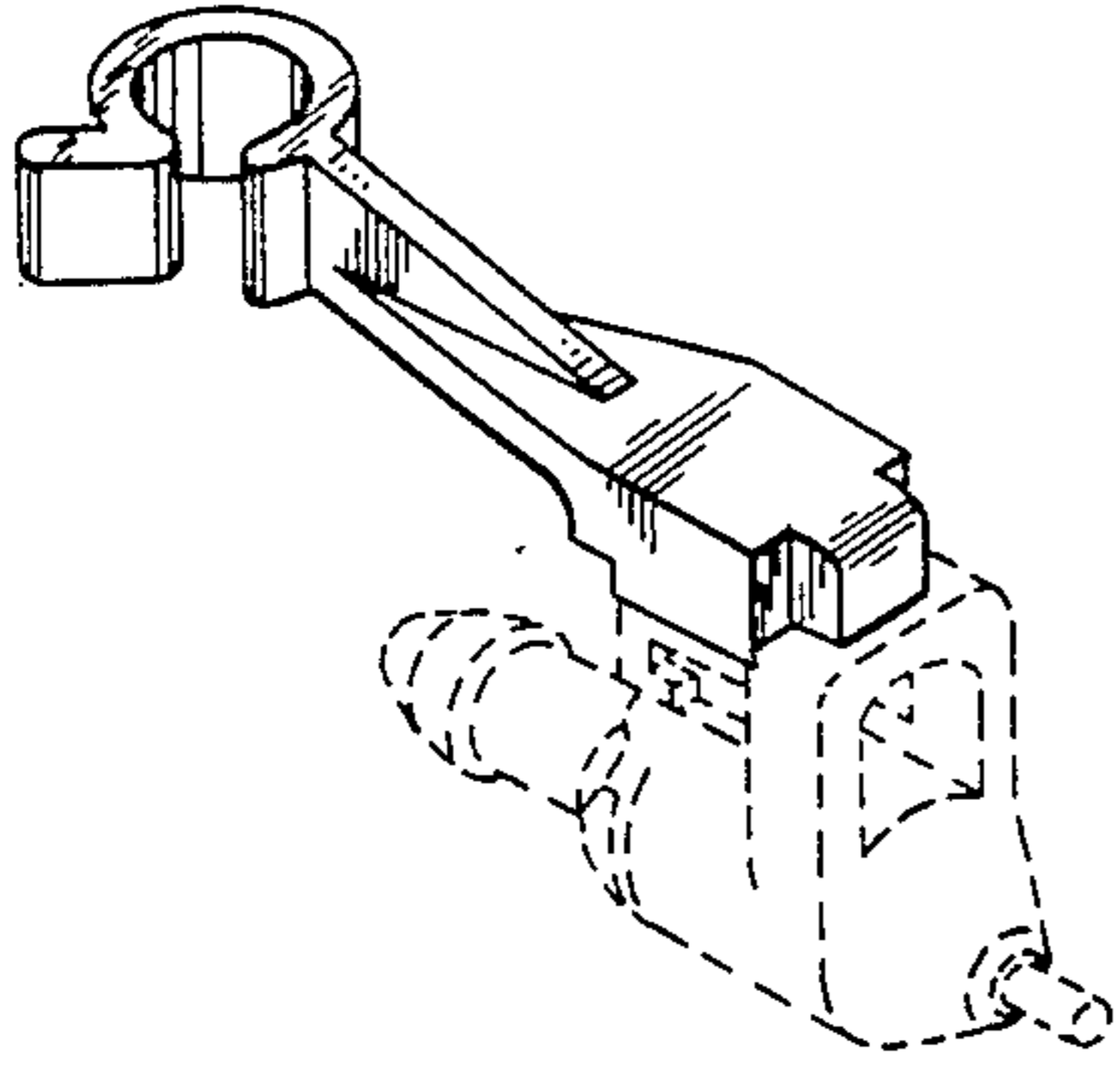


FIG. 1

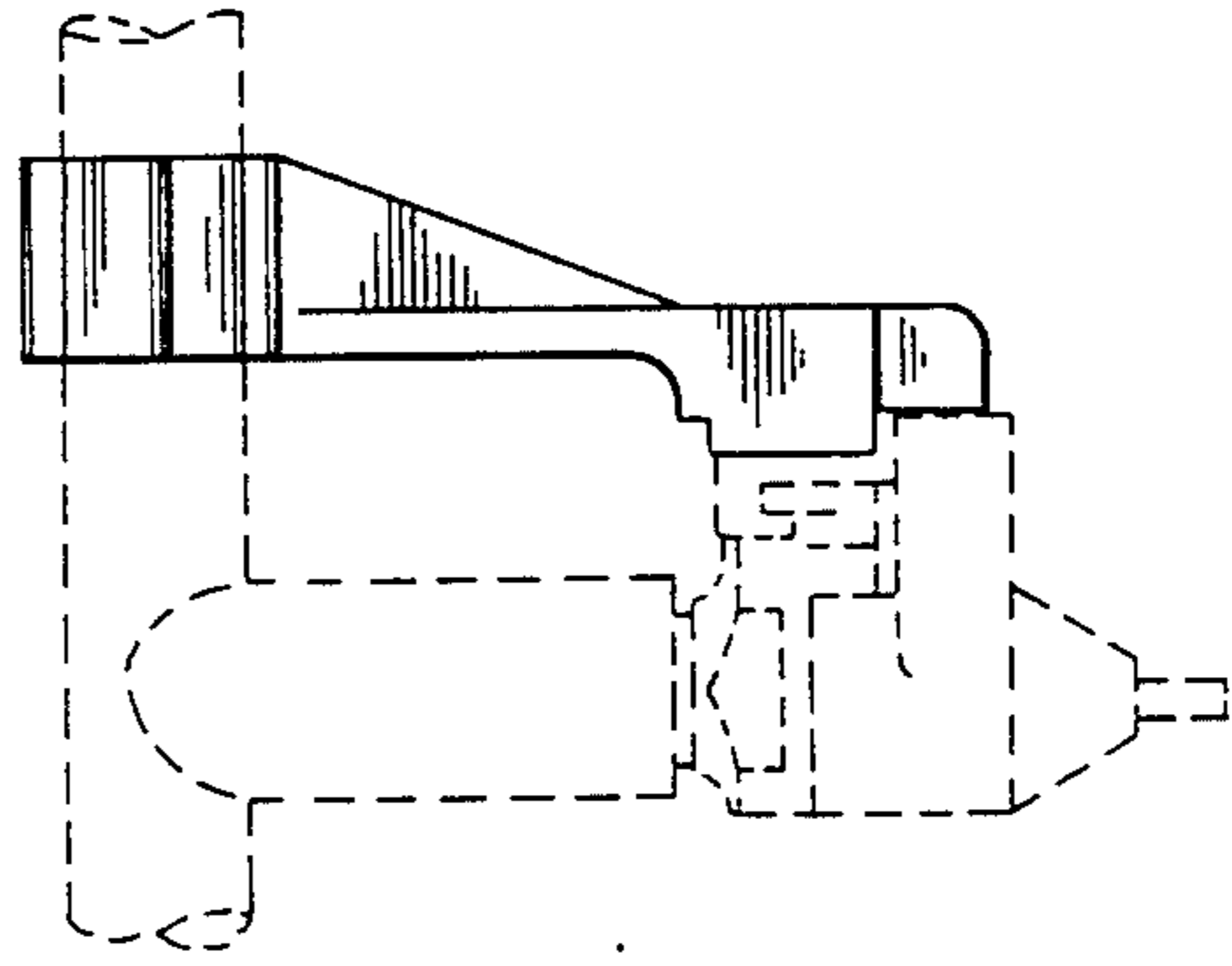


FIG. 2

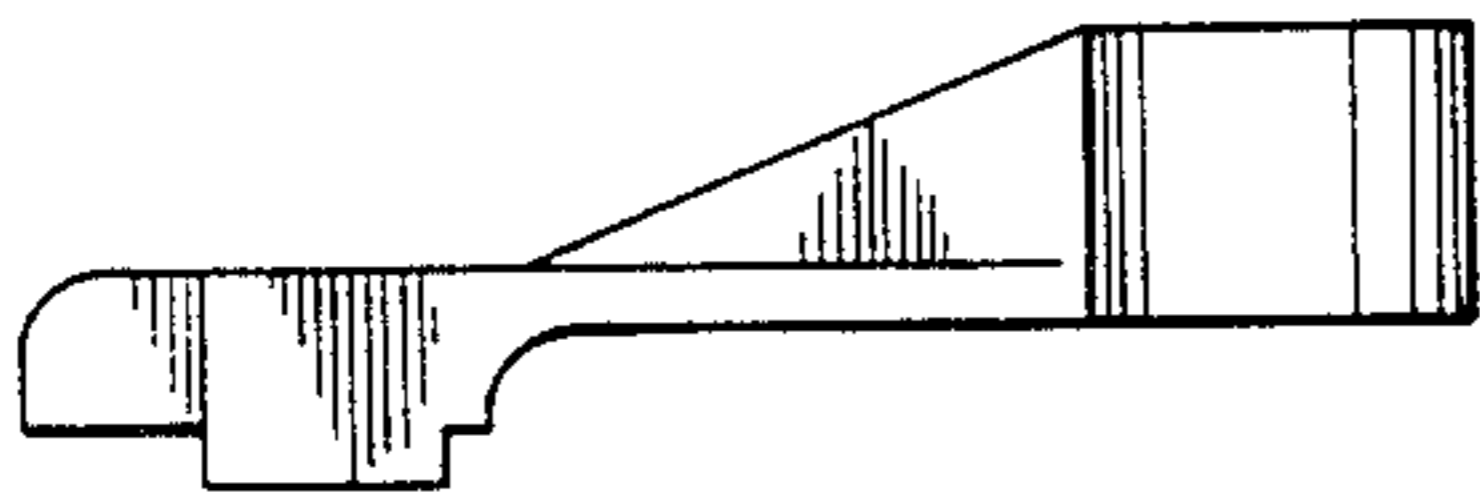


FIG. 3

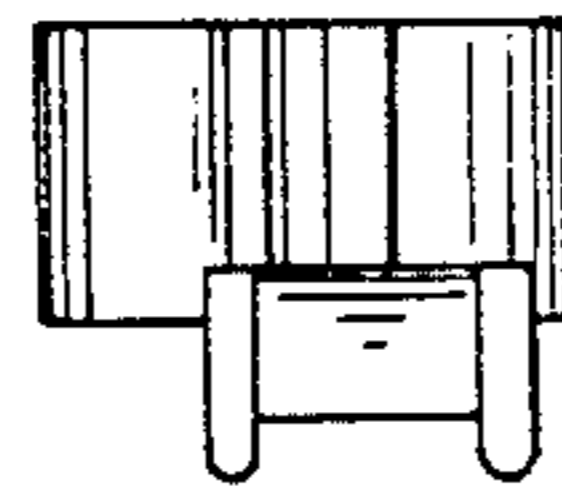


FIG. 4

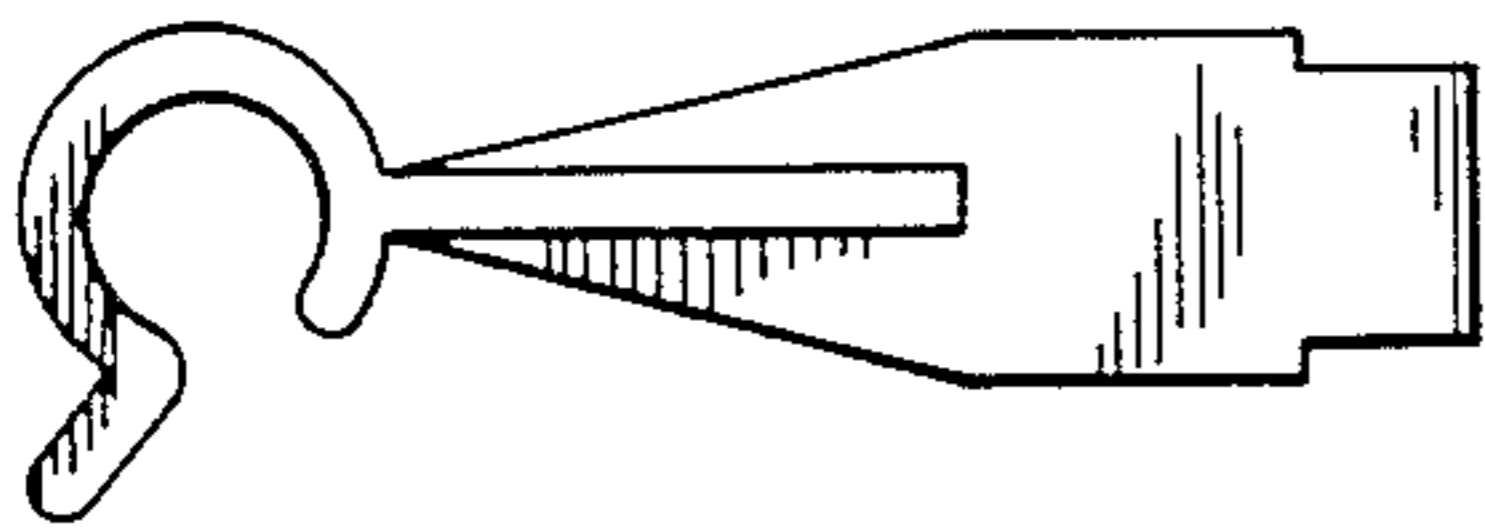


FIG. 5

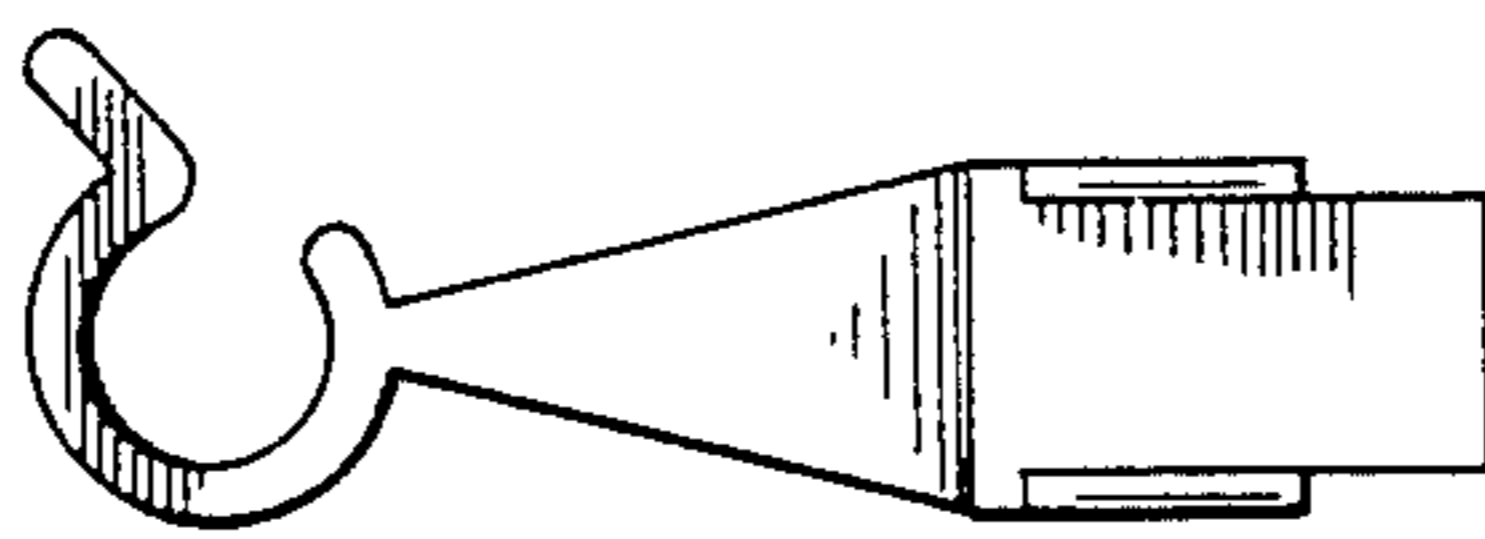


FIG. 6

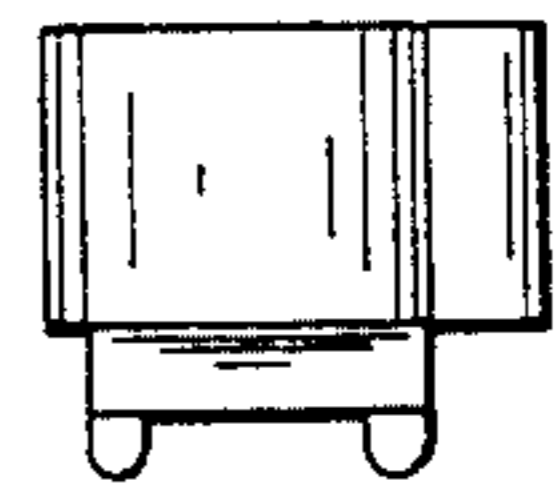


FIG. 7