

[54] AVIATOR-STYLE SWIM MASK

[75] Inventor: Steven M. Berenson, Sharon, Mass.

[73] Assignee: Aqua-Leisure Industries, Inc., Avon, Mass.

[**] Term: 14 Years

[21] Appl. No.: 704,604

[22] Filed: Feb. 25, 1985

[52] U.S. Cl. D29/9

[58] Field of Search D16/107; D29/9, 18; D2/234; 2/12, 13, 15, 426-454

[56] References Cited

FOREIGN PATENT DOCUMENTS

1261514 4/1961 France 2/430

OTHER PUBLICATIONS

Skin Diver, Mar. 1979, p. 41, "The Bermuda" by Tabata.

Skin Diver, Jun. 1979, p. 25, "Maui" Mask by Mares. Skin Diver, Feb. 1980, p. 68, "Concha" by U.S. Nemrod #6528.

Primary Examiner—Susan J. Lucas
Assistant Examiner—C. E. Heflin
Attorney, Agent, or Firm—James E. Mrose

[57] CLAIM

The ornamental design for an aviator-style swim mask, as shown and described.

DESCRIPTION

FIG. 1 is a perspective view of an aviator-style swim mask showing my new design; FIG. 2 is a front elevational view thereof; FIG. 3 is a top plan view thereof; FIG. 4 is a bottom plan view thereof; FIG. 5 is a rear elevational view thereof; and FIG. 6 is a side elevational view thereof, looking toward the left side of the mask as it appears in FIGS. 1, 2 and 3.

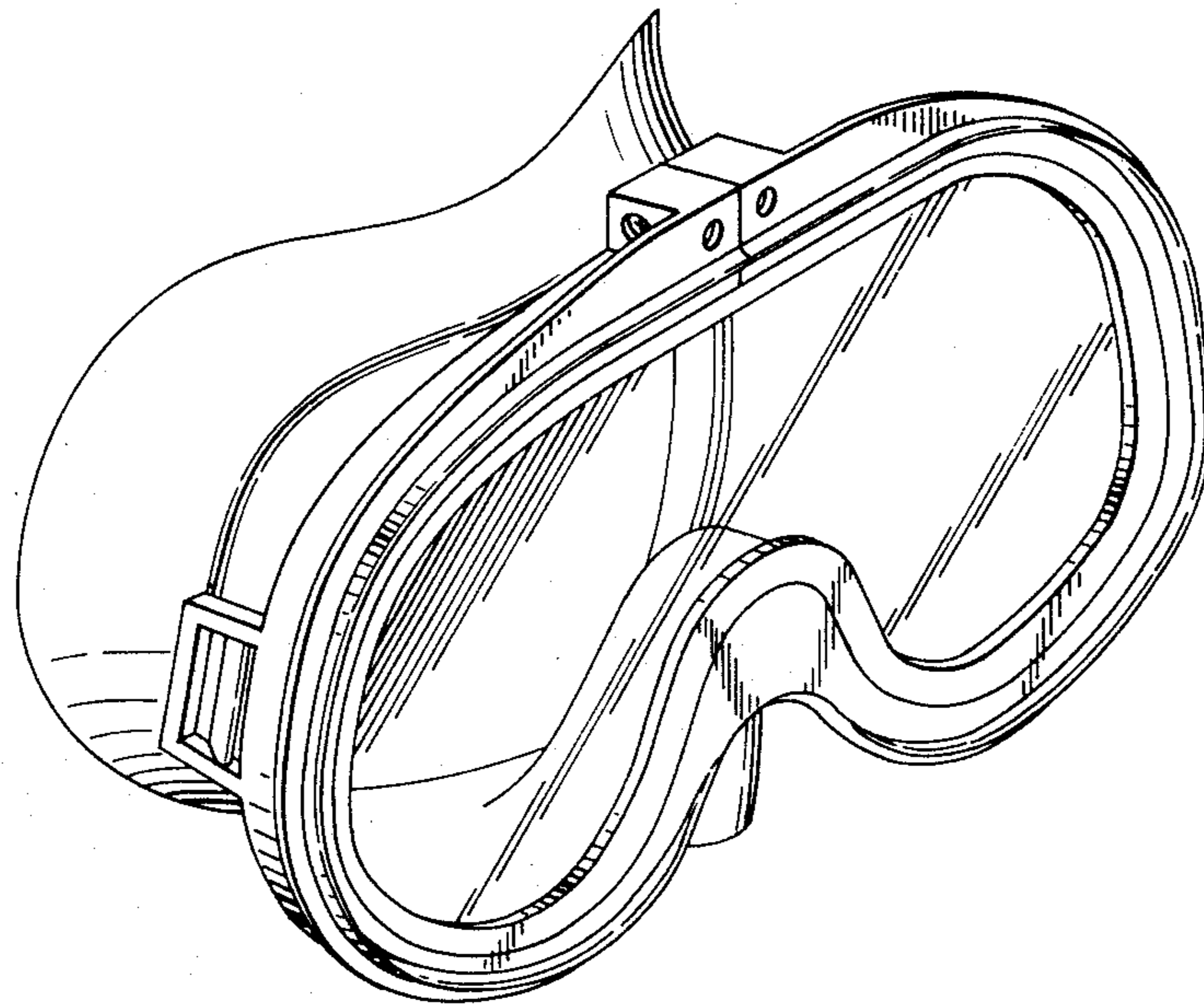


FIG. 1.

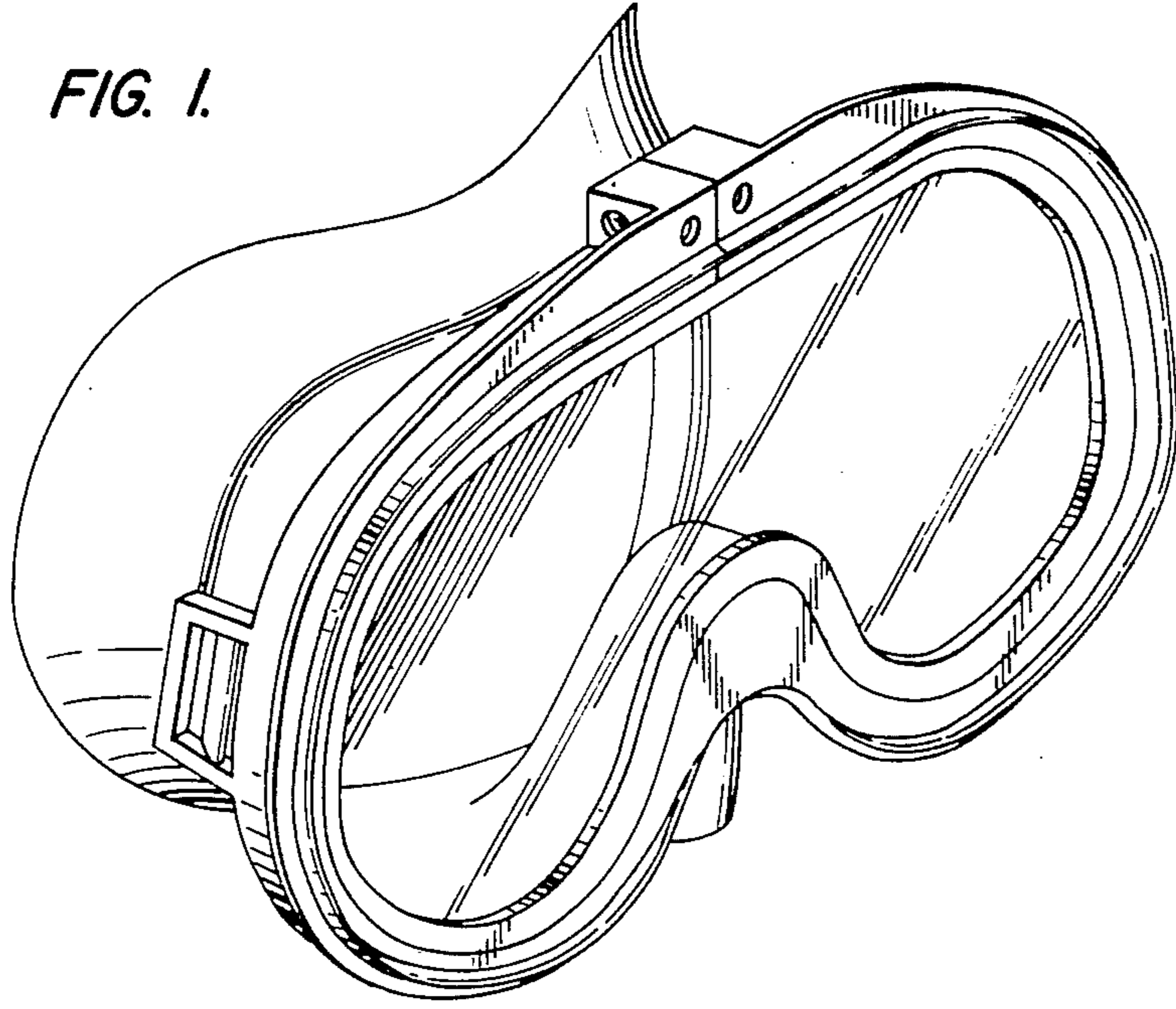


FIG. 2.

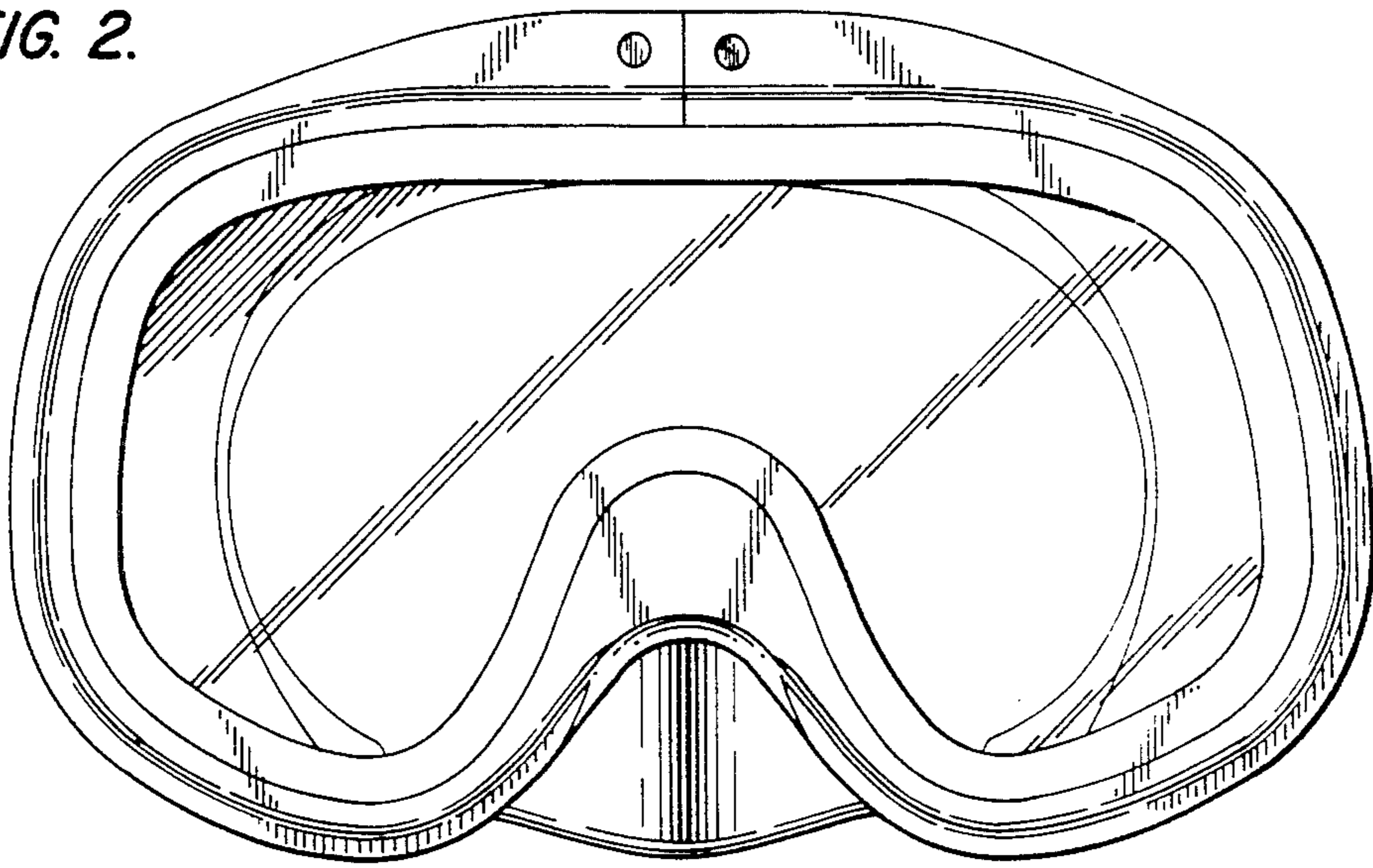
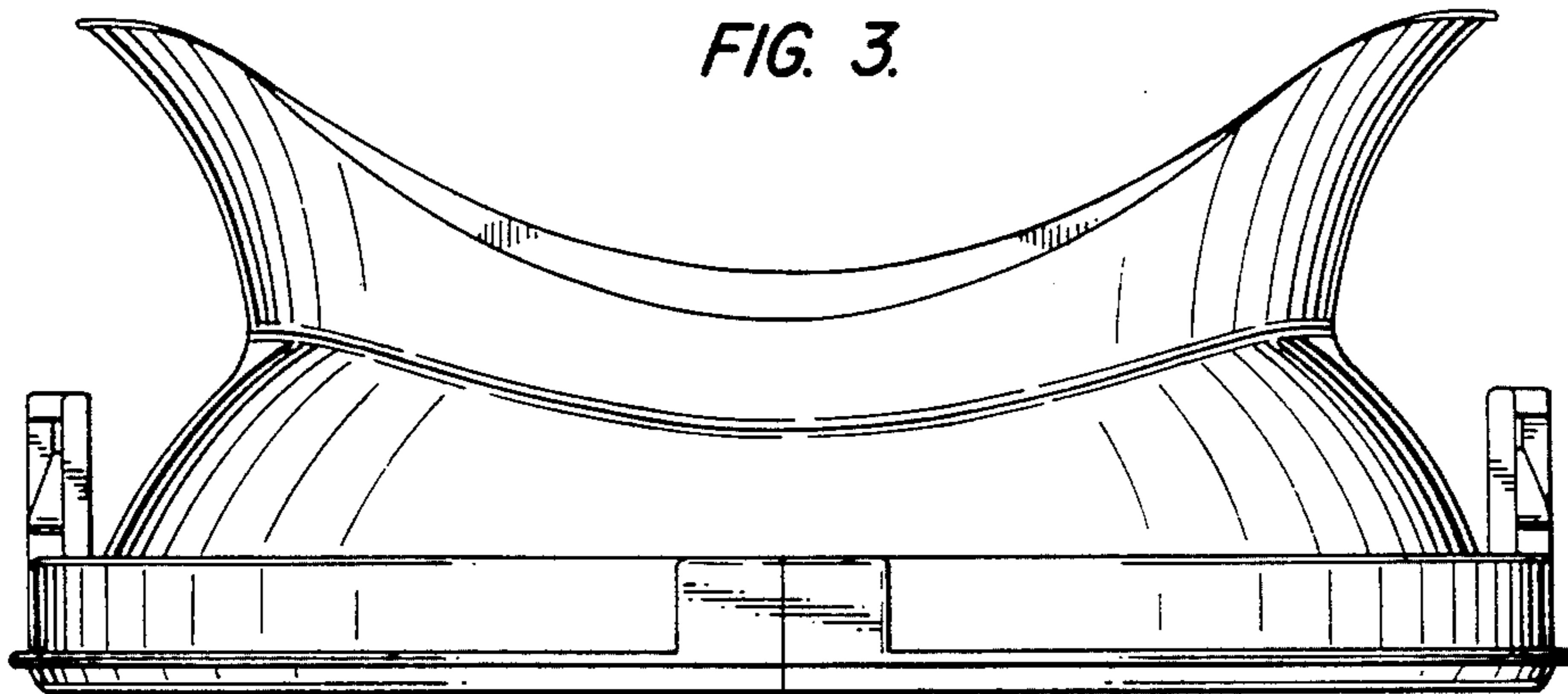


FIG. 3.



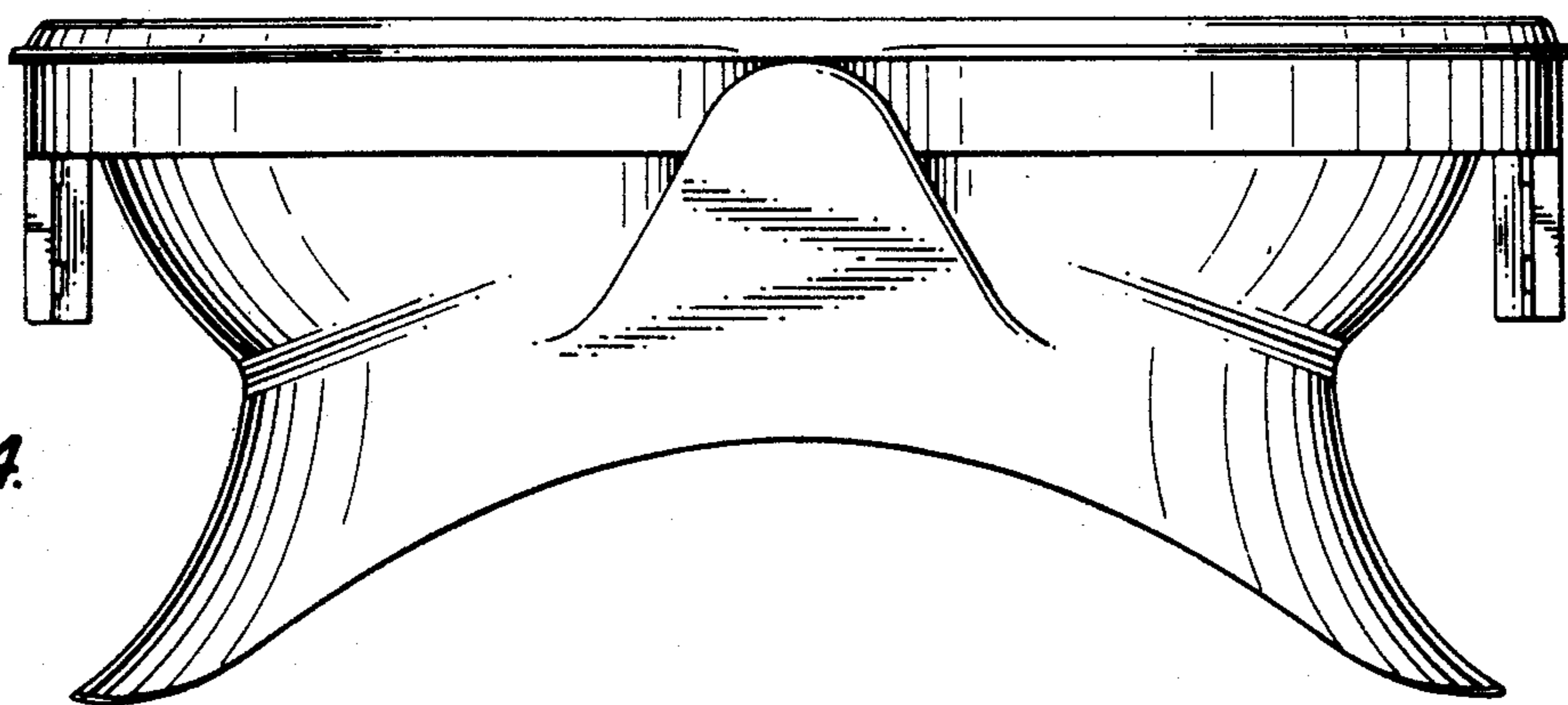


FIG. 4.

FIG. 5.

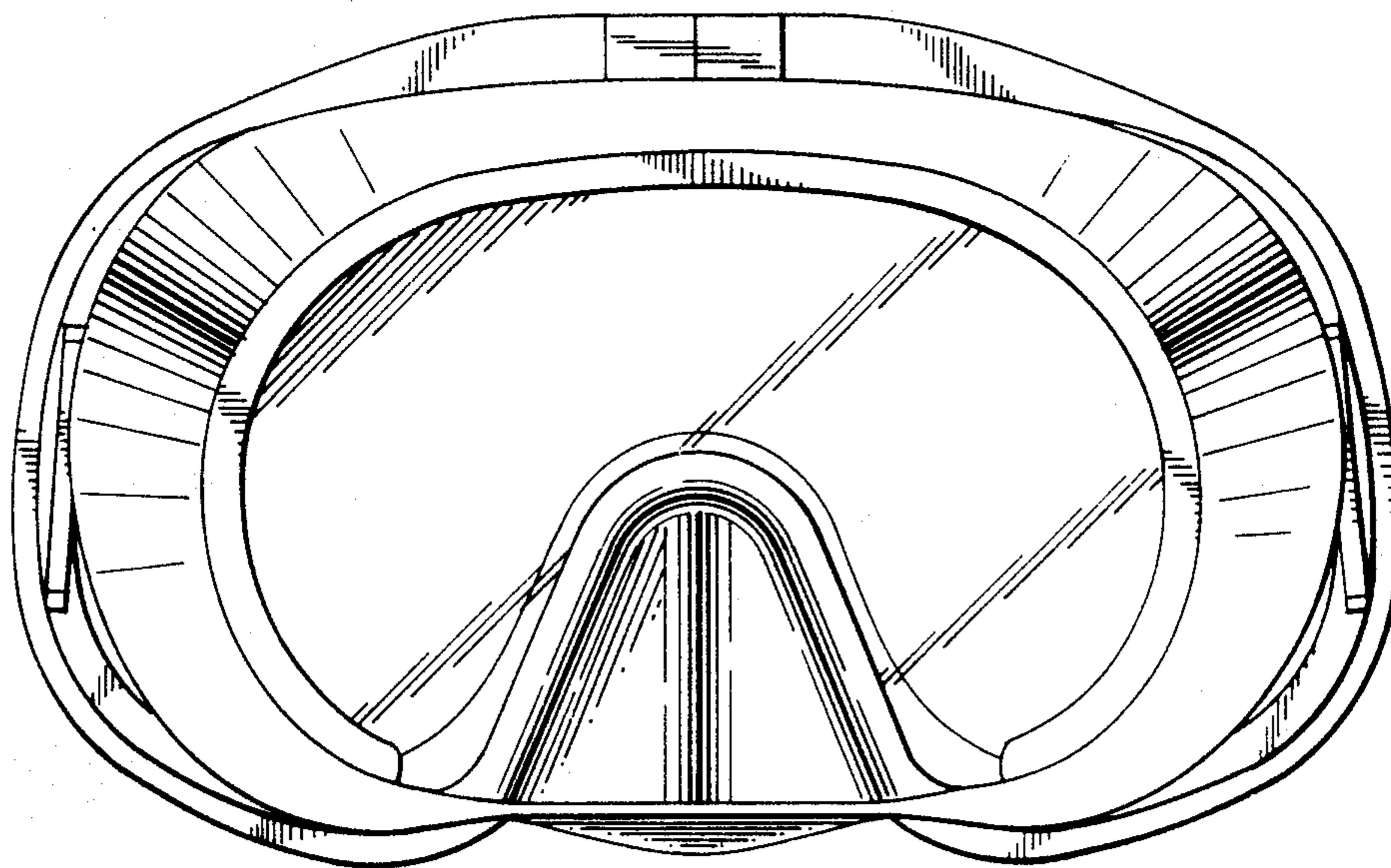


FIG. 6.

