

[54] DIVING MASK

[75] Inventor: Mark L. Walsh, Chicago, Ill.

[73] Assignee: Dacor Corporation, North Chicago, Ill.

[**] Term: 14 Years

[21] Appl. No.: 605,145

[22] Filed: Apr. 30, 1984

[52] U.S. Cl. D29/9; D16/107

[58] Field of Search D2/234; 2/427-454

[56] References Cited

U.S. PATENT DOCUMENTS

3,694,814	10/1972	De Barbieri et al.	2/439
4,087,865	5/1978	Garofalo	2/428
4,171,543	10/1979	Cressi	2/428

FOREIGN PATENT DOCUMENTS

625592	12/1962	Belgium	2/439
--------	---------	---------------	-------

OTHER PUBLICATIONS

Skin Diver, Feb. 1980, p. 62, Farallon-Oceanic, Prismatic Mask #05-2000.

Skin Diver, Feb. 1983, p. 21, Oceanic Mask.

Primary Examiner—Susan J. Lucas

Assistant Examiner—C. E. Heflin

Attorney, Agent, or Firm—Edmond T. Patnaude

[57] CLAIM

The ornamental design for a diving mask, substantially as shown and described.

DESCRIPTION

FIG. 1 is a front elevational view of the diving mask showing my new design;

FIG. 2 is a top plan view thereof;

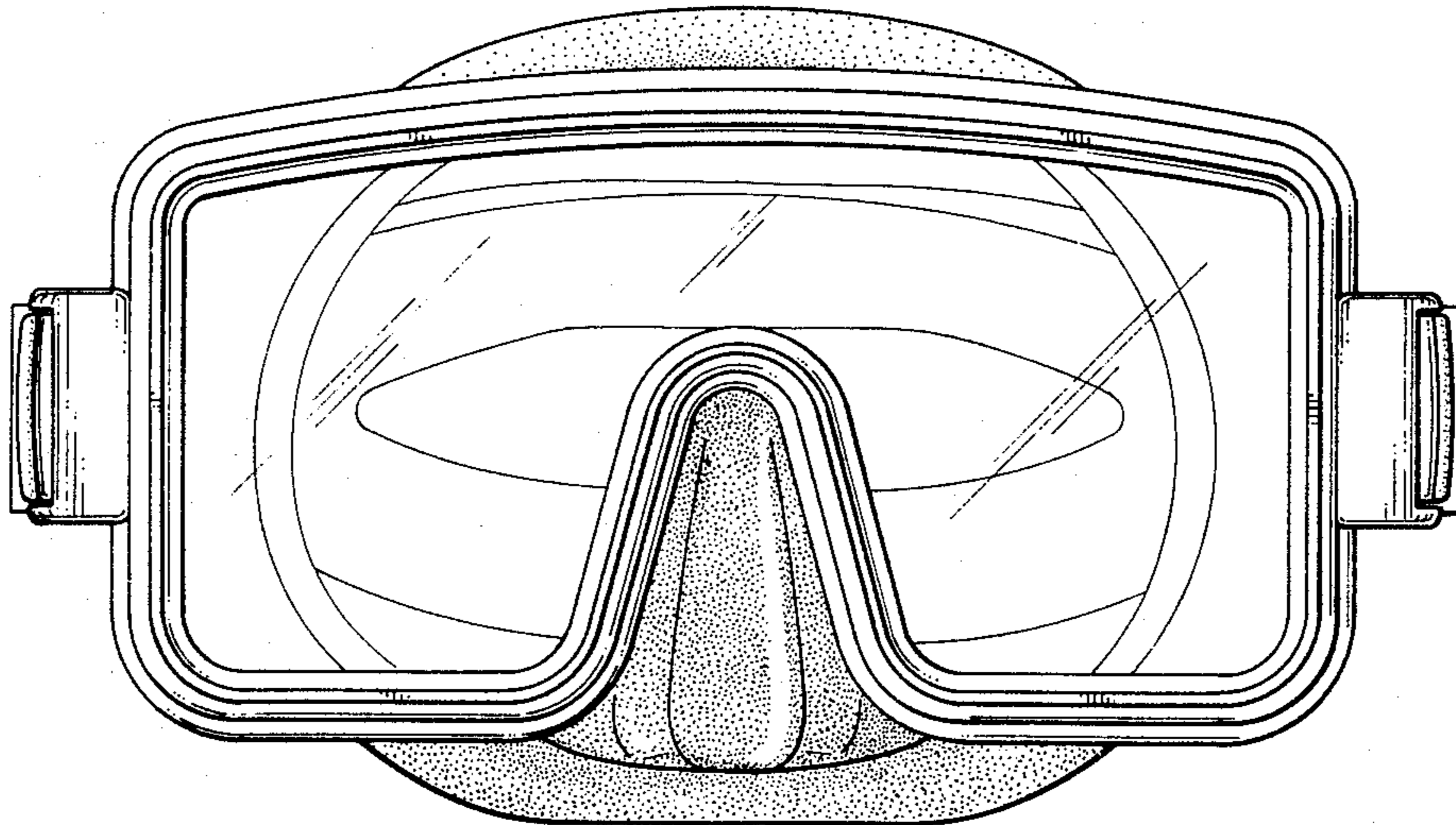
FIG. 3 is a rear elevational view thereof;

FIG. 4 is a bottom plan view thereof;

FIG. 5 is a right side elevational view thereof the left side being a mirror image;

FIG. 6 is a fragmentary cross-sectional view thereof taken along line 6—6 of FIG. 5; and

FIG. 7 is a fragmentary cross-sectional view thereof taken along line 7—7 of FIG. 6.



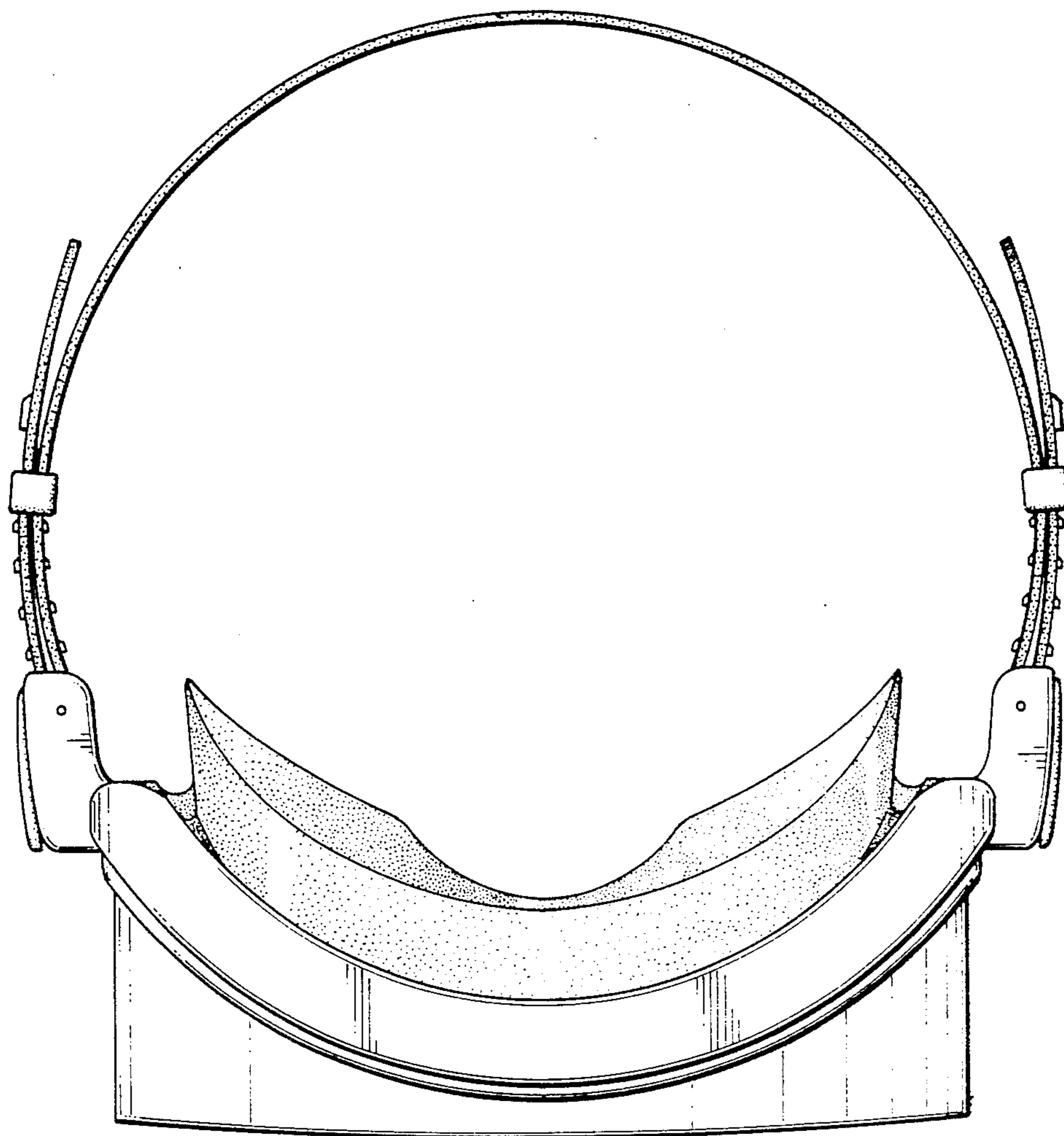


FIG. 2

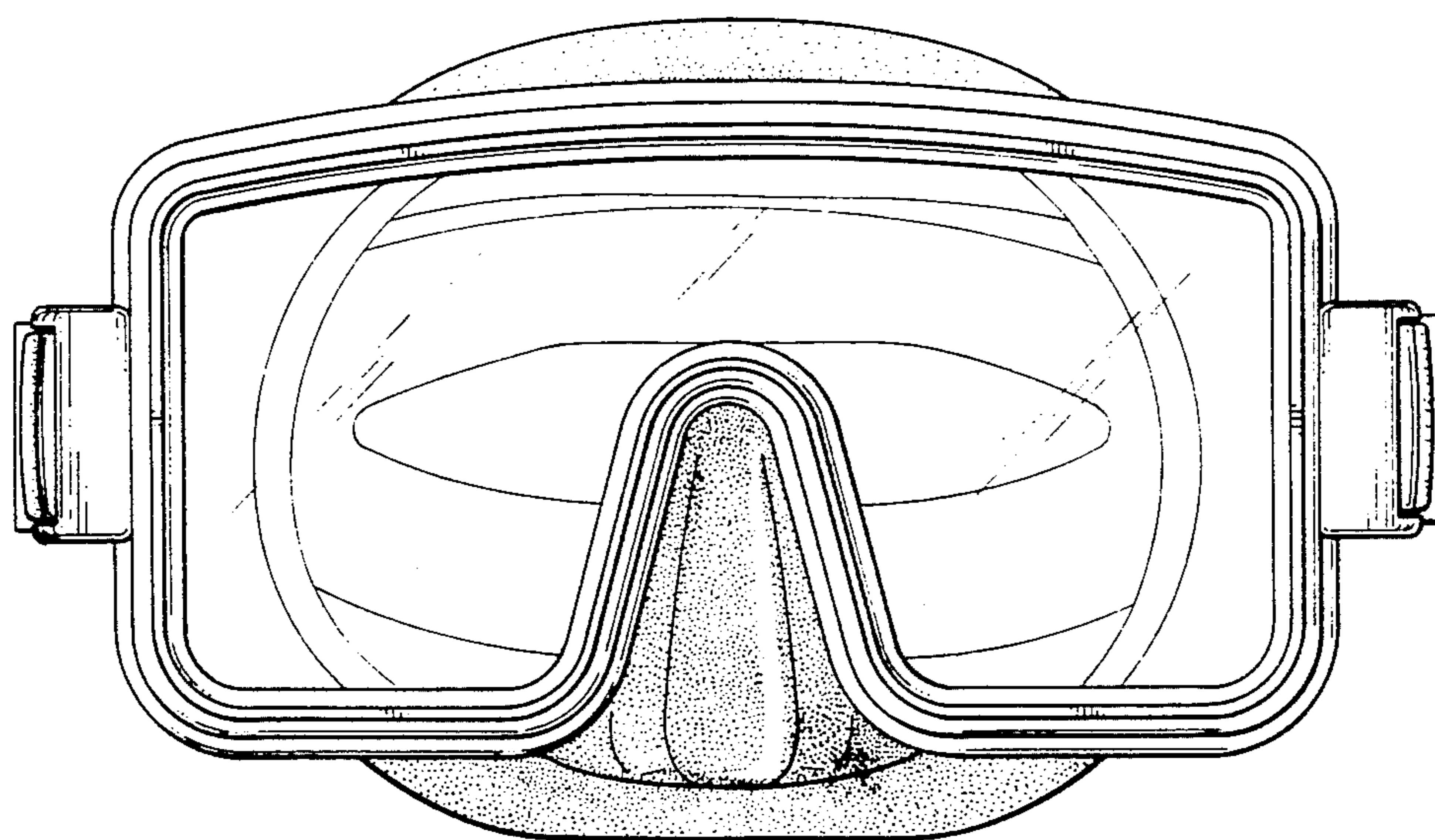


FIG. 1

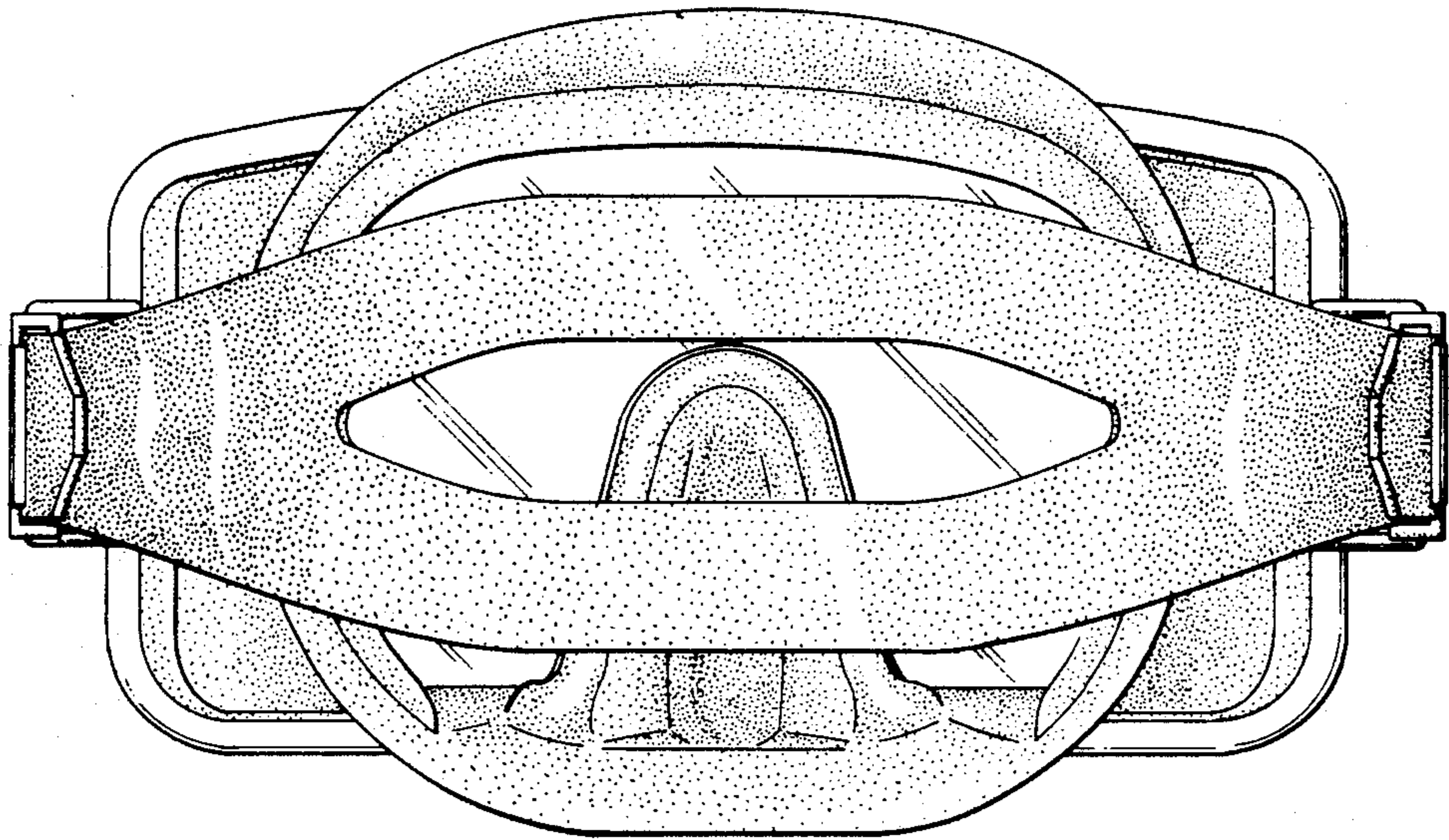


FIG. 3

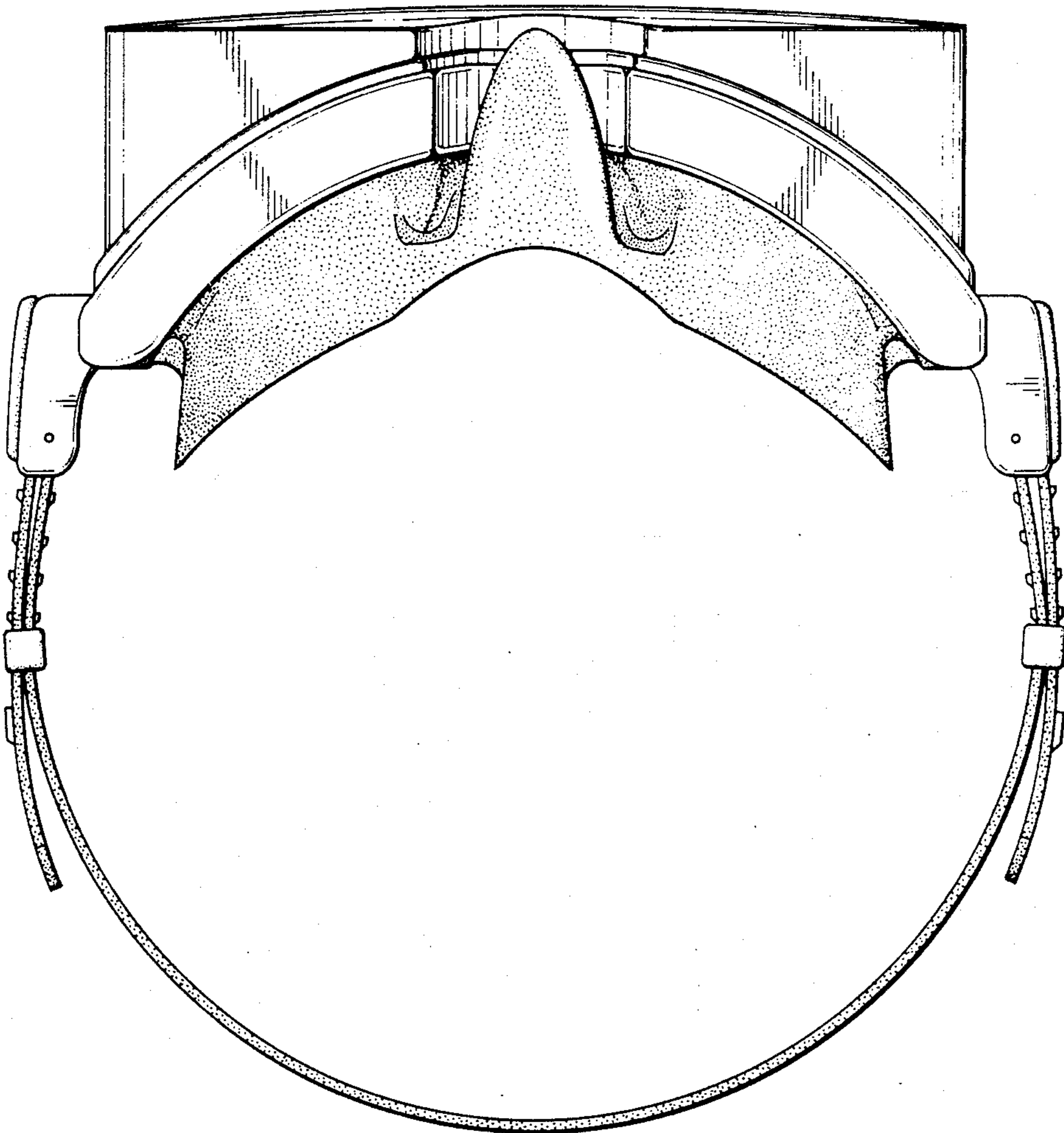


FIG. 4

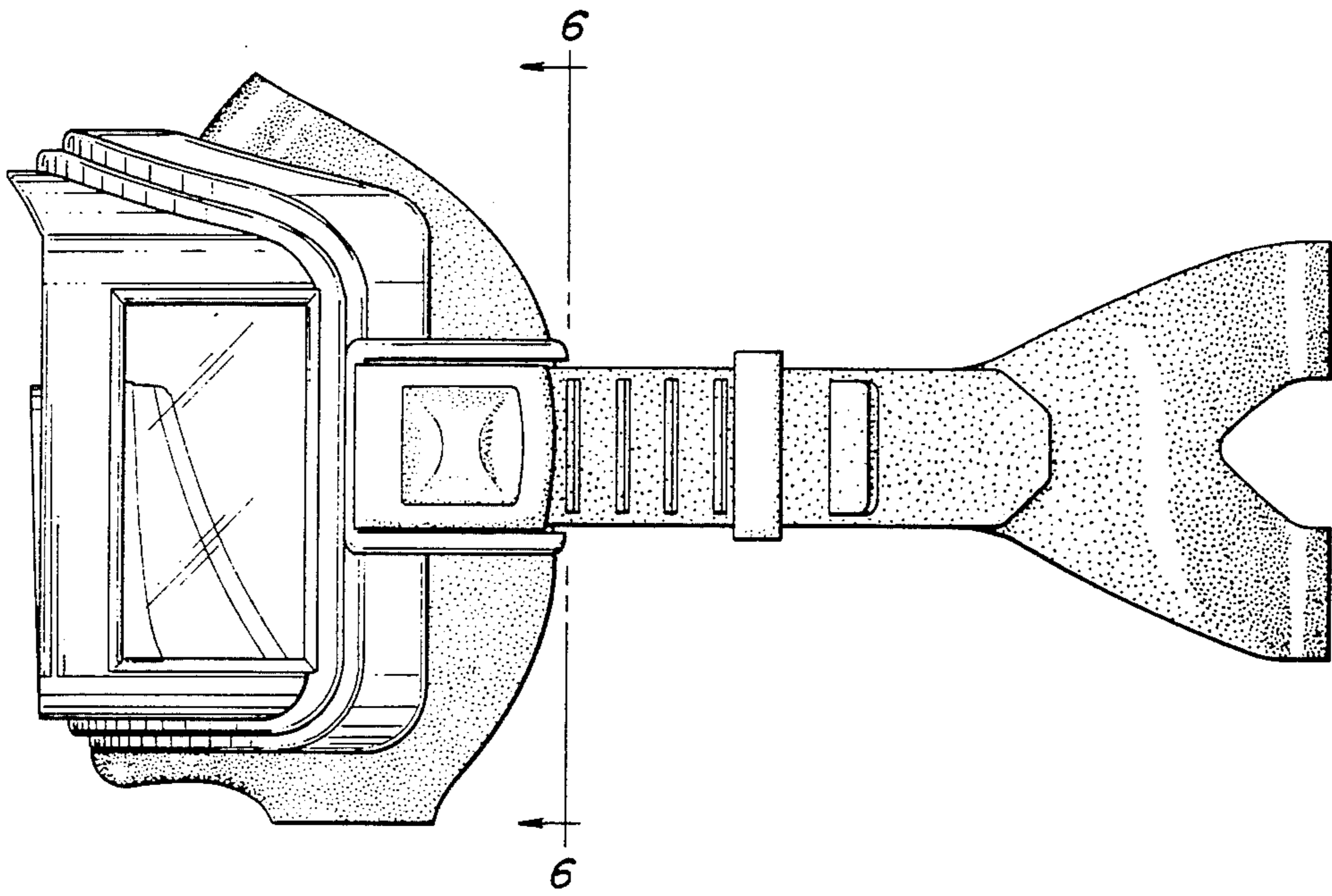


FIG. 5

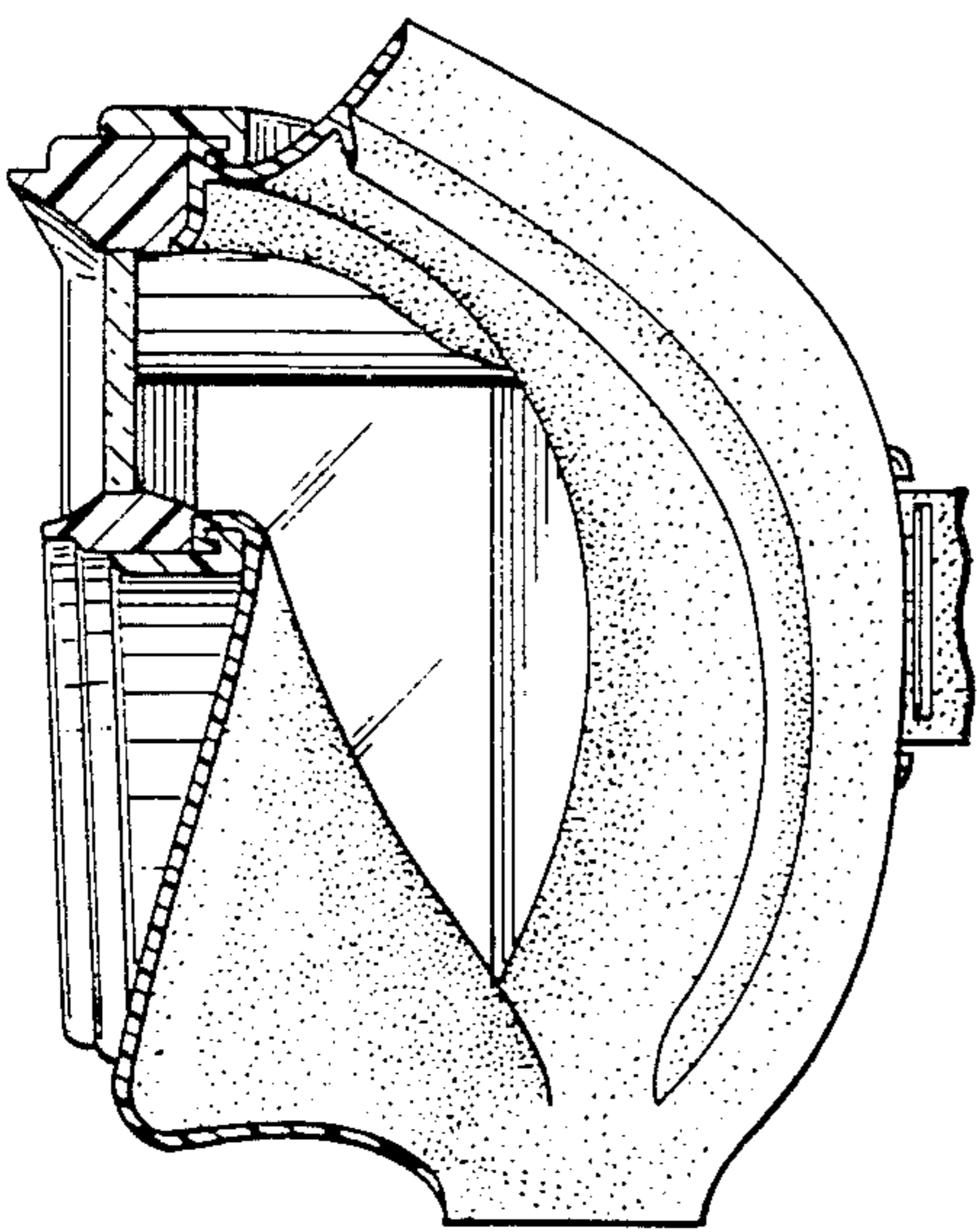


FIG. 7

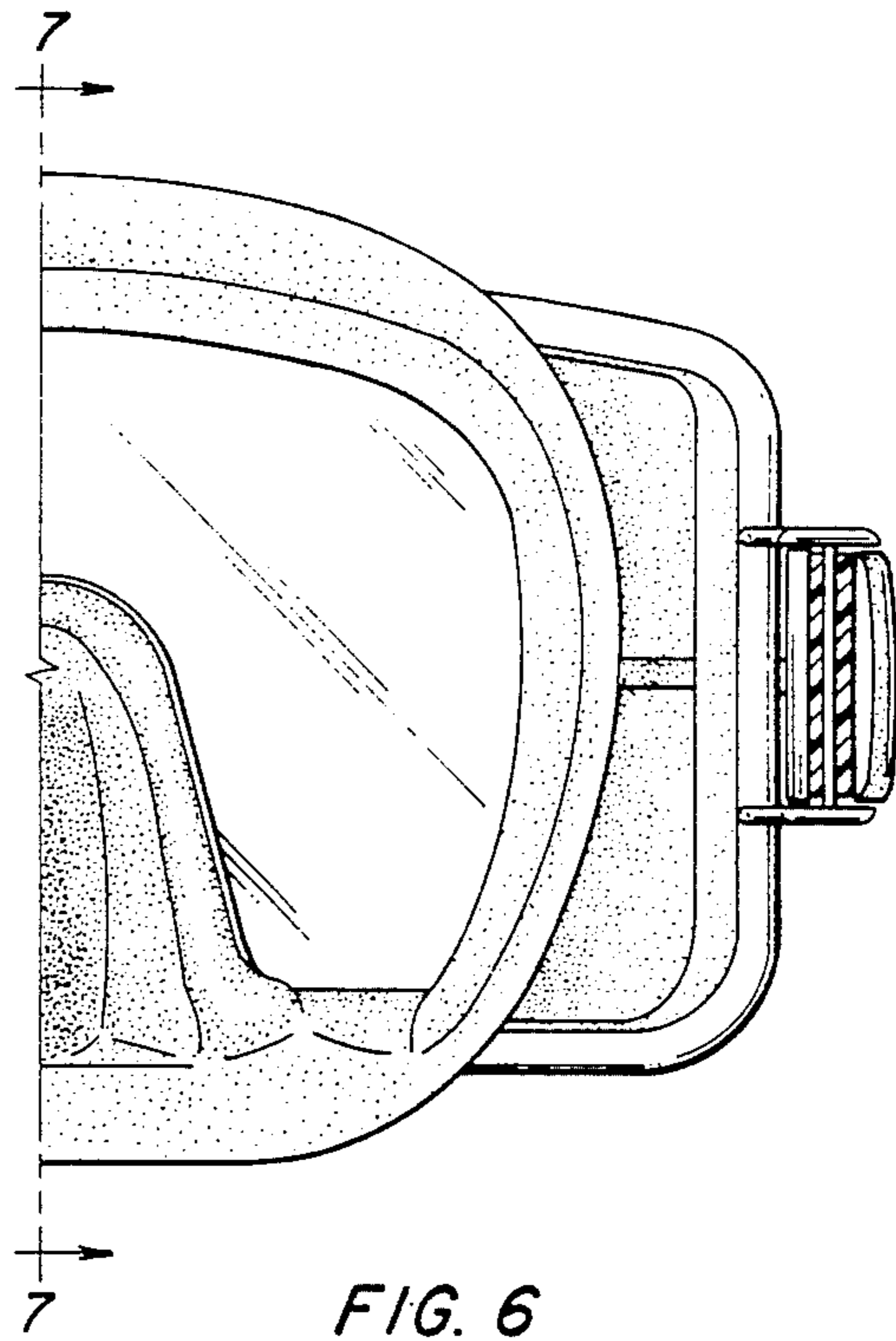


FIG. 6