

[54] FLUORESCENT LIGHT FOR RECESSED LIGHTING OR THE LIKE

[56] References Cited

U.S. PATENT DOCUMENTS

4,520,436 5/1985 McNair et al. 362/366

[76] Inventors: Roy K. Fujitaki, Altadena; Hiroshi Fukushima, Monterey Park, both of Calif.

Primary Examiner—Susan J. Lucas
Attorney, Agent, or Firm—Christie, Parker & Hale

[**] Term: 14 Years

[57] CLAIM

The ornamental design for a fluorescent light for recessed lighting or the like, substantially as shown and described.

[21] Appl. No.: 641,533

DESCRIPTION

[22] Filed: Aug. 16, 1984

FIG. 1 is a side, top perspective view of a fluorescent light for recessed lighting or the like, showing our new design;

[52] U.S. Cl. D26/74; D26/26

FIG. 2 is a side elevation view thereof on an enlarged scale, the opposite side being a mirror image;

[58] Field of Search D26/72, 80-88, D26/92, 90, 91, 89, 24, 26, 74; 362/217, 226, 297, 310, 311, 362, 404, 405, 406, 408, 364, 307, 366

FIG. 3 is an end elevational view thereof on an enlarged scale; and

FIG. 4 is an opposite side elevational view on an enlarged scale.

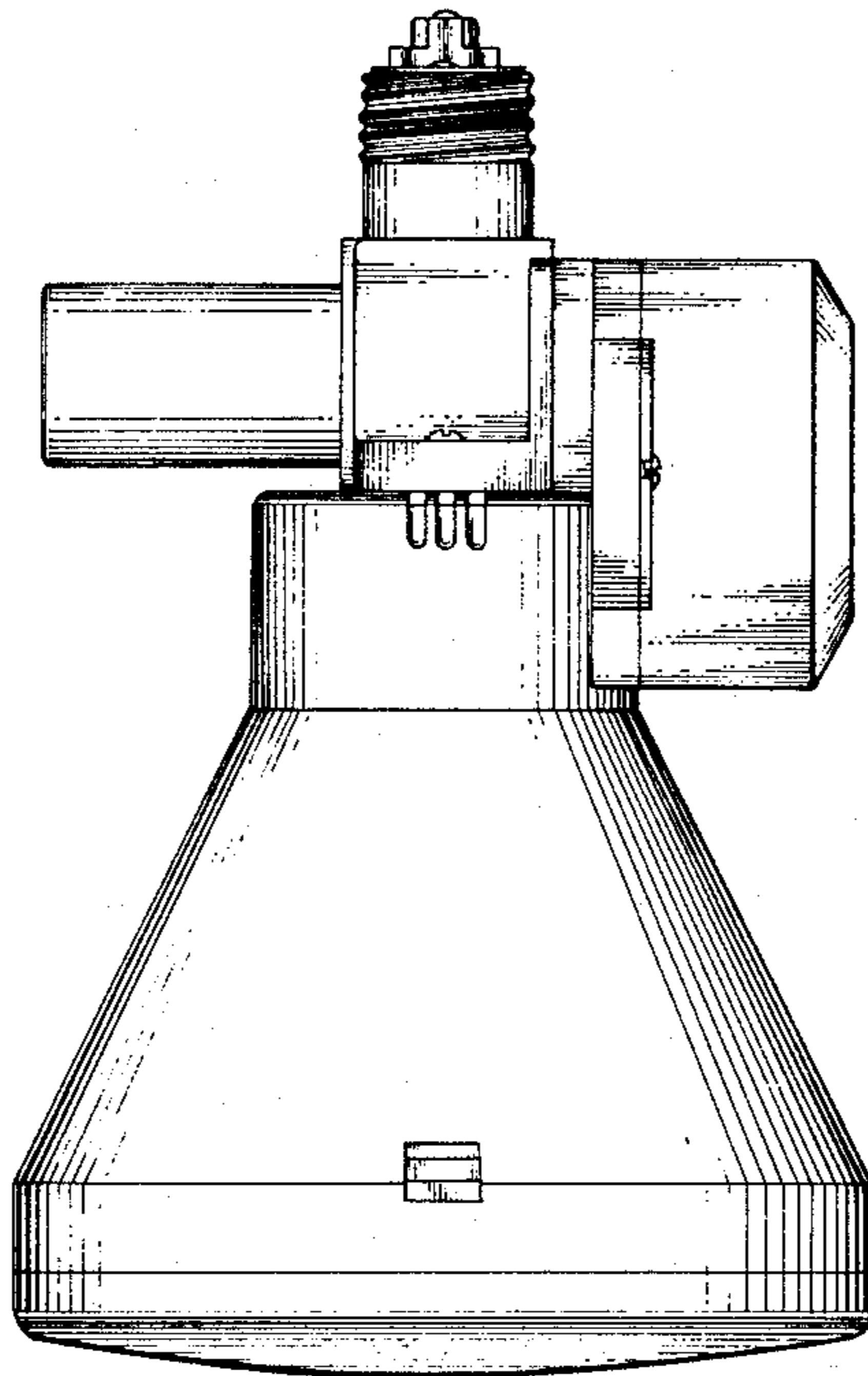


Fig. 1.

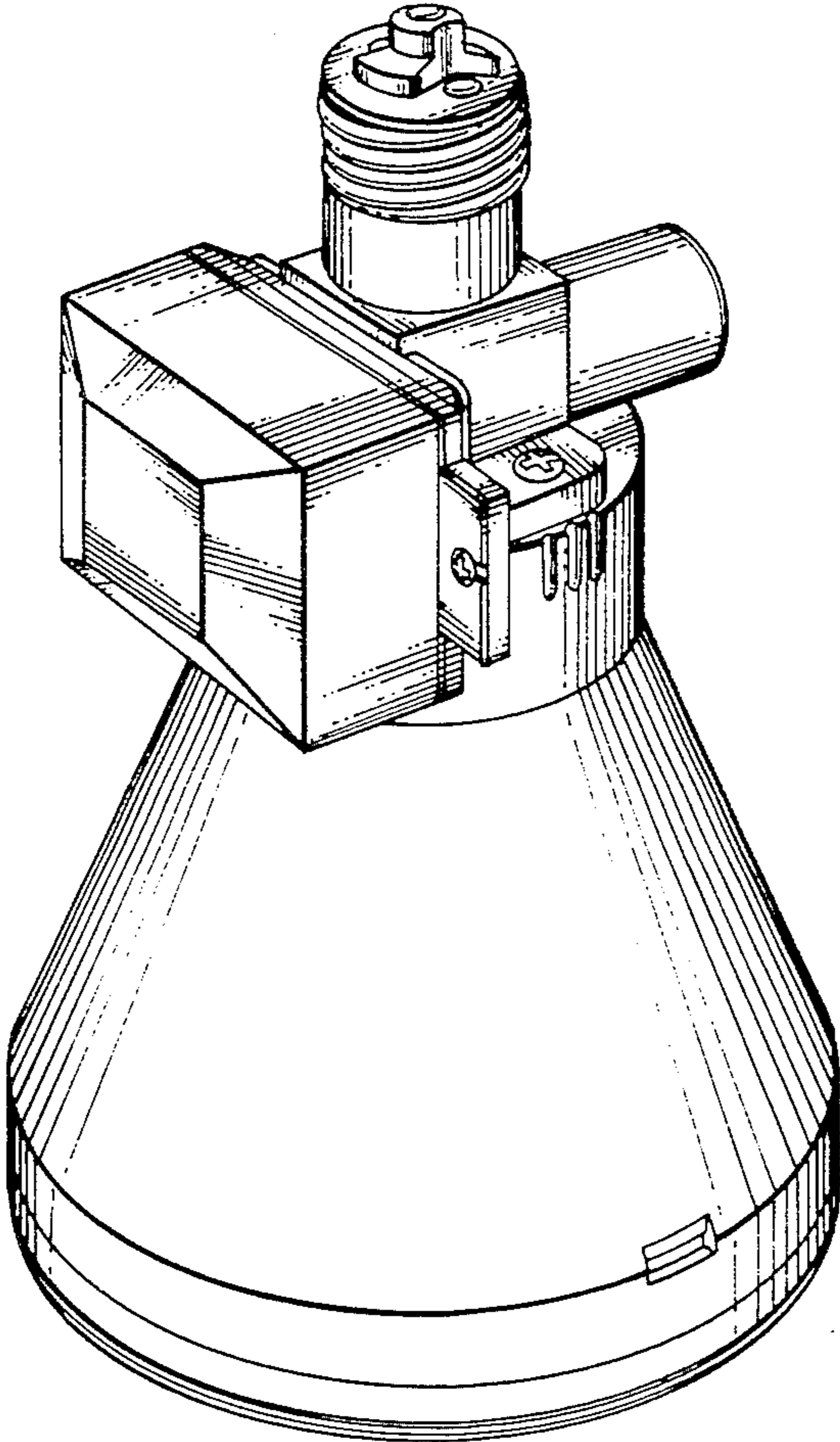


Fig. 2.

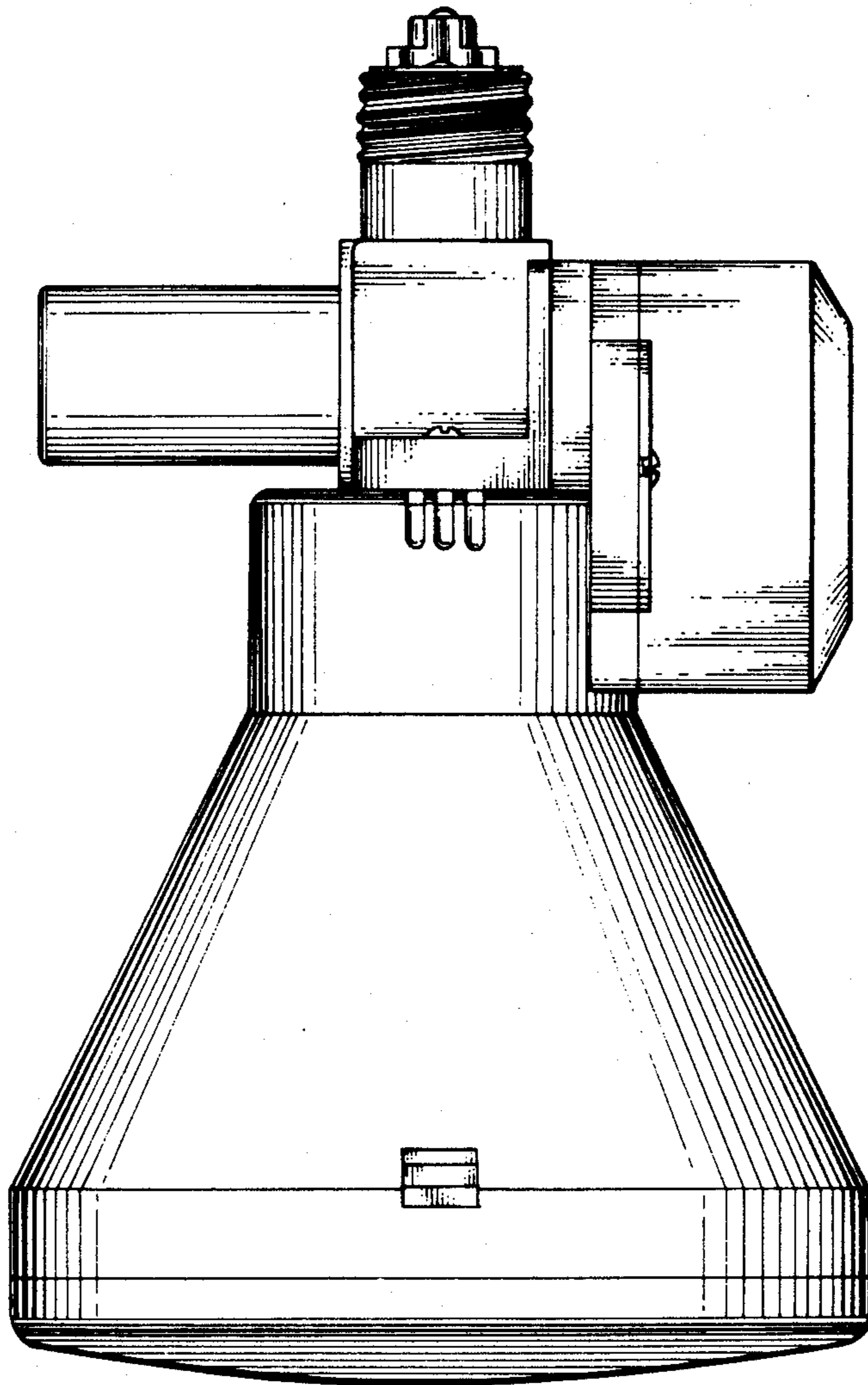


Fig. 4.

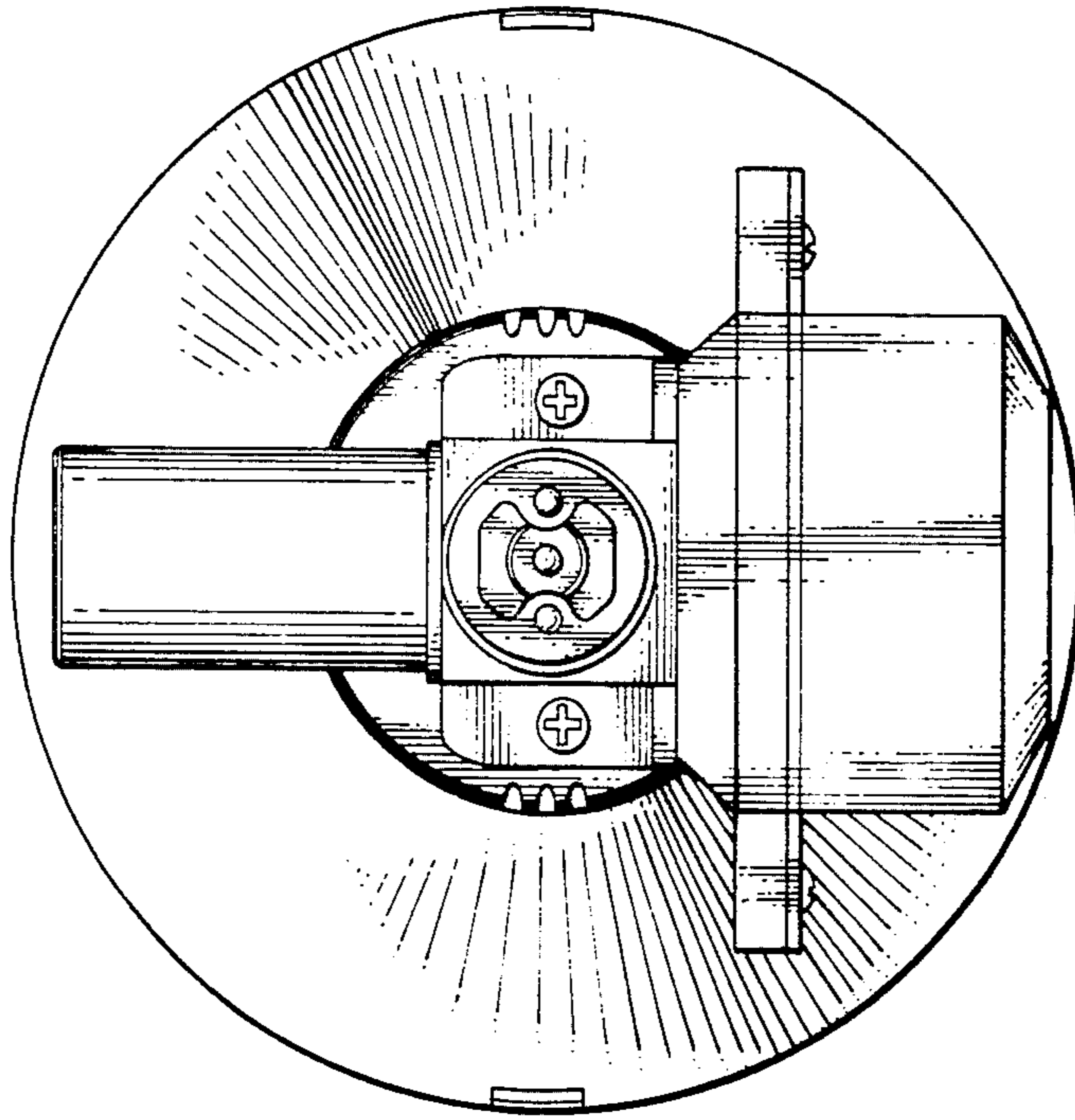


Fig. 3.

