

[54] COMBINED CEILING FAN AND LIGHT

[75] Inventor: Yuzo Kawai, Naraken, Japan

[73] Assignee: Kabushiki Kaisha Suiden, Tennojiku, Japan

[**] Term: 14 Years

[21] Appl. No.: 781,877

[22] Filed: Sep. 30, 1985

[30] Foreign Application Priority Data

May 30, 1985 [JP] Japan 60-22767
 [52] U.S. Cl. D23/158; D26/59
 [58] Field of Search D23/139, 155-165;
 98/34.6, 38.9, 39.1, 40.01, 40.04, 40.05, 40.07,
 42.07; 219/372, 365; 362/92, 147-148, 150, 294,
 457-458; 416/5, 58, 93 R, 95, 146 R, 151, 170
 R, 171, 194, 204 R, 198 R, 210 R, 223 R, 231 A,
 234-235, 236 R, 244 R, 246, 248; 417/423 R,
 424; 310/67 R, 89, 85

[56]

References Cited

U.S. PATENT DOCUMENTS

D. 253,854 1/1980 Strignano D26/89
 D. 284,304 6/1986 Harber D23/155
 3,033,049 5/1962 Morrow 416/194
 4,494,055 1/1985 Bitting et al. 416/5 X

OTHER PUBLICATIONS

NuTone Sterling Catalogue NS103 1980 p. 75, No. 57, Regressed Eyeball Mini Trim Light.

Primary Examiner—Wallace R. Burke
 Assistant Examiner—Brian N. Vinson
 Attorney, Agent, or Firm—Barnes & Thornburg

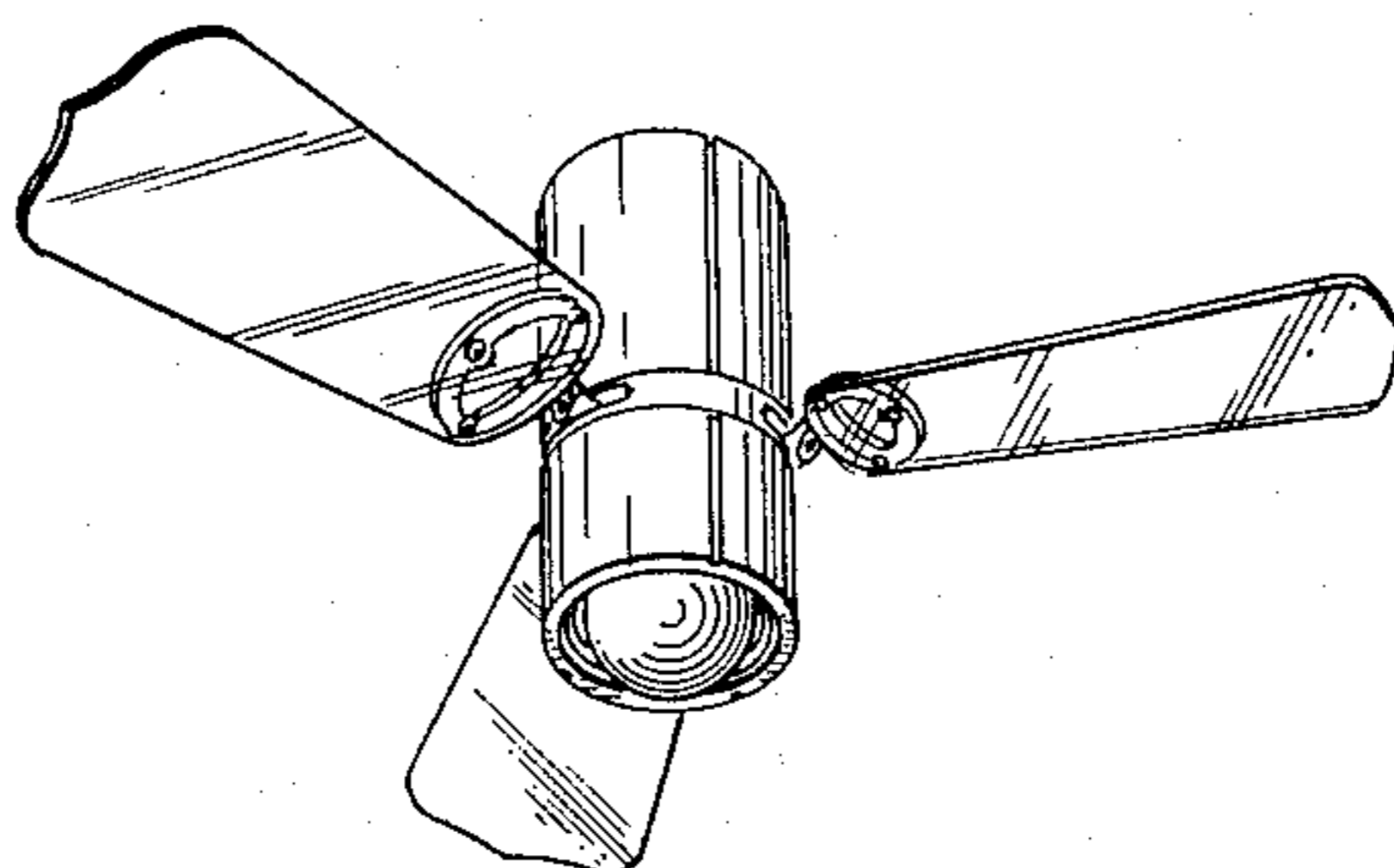
[57]

CLAIM

The ornamental design for a combined ceiling fan and light, as shown and described.

DESCRIPTION

FIG. 1 is a front elevational view thereof, the rear and adjacent sides being substantially similar in appearance; FIG. 2 is a bottom plan view thereof; FIG. 3 is a bottom perspective view thereof; and FIG. 4 is a top plan view thereof.



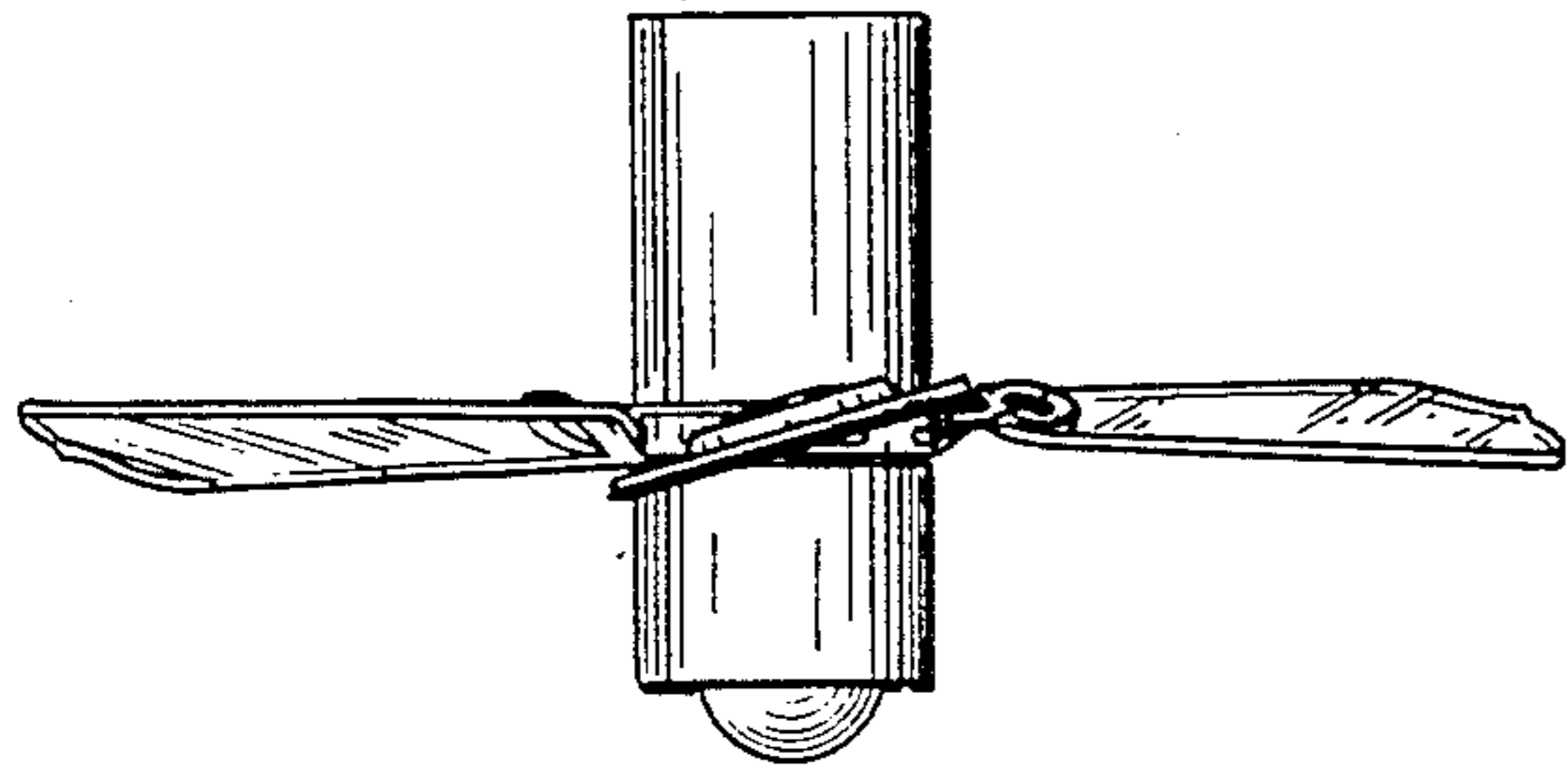


FIG. 1

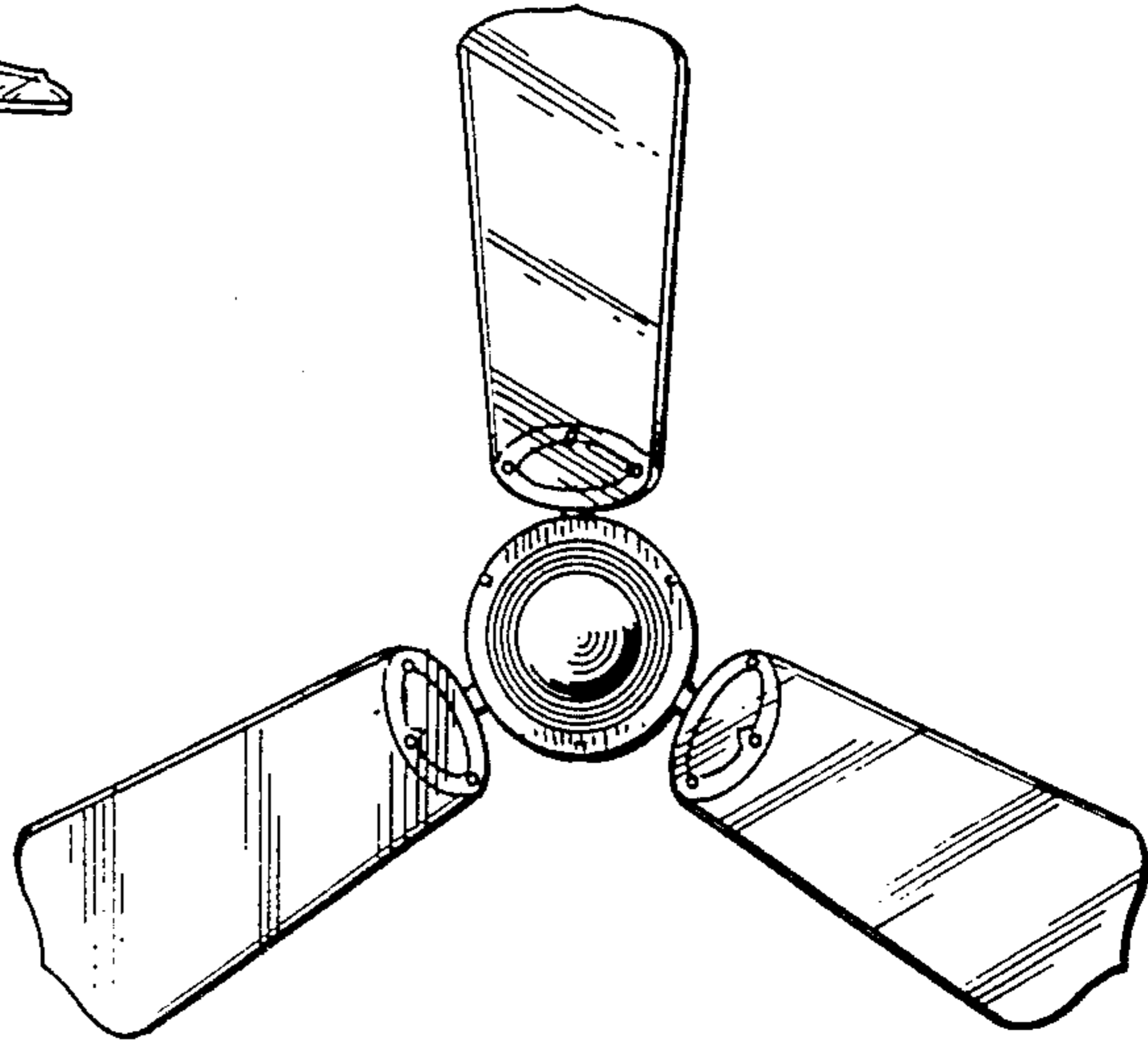


FIG. 2

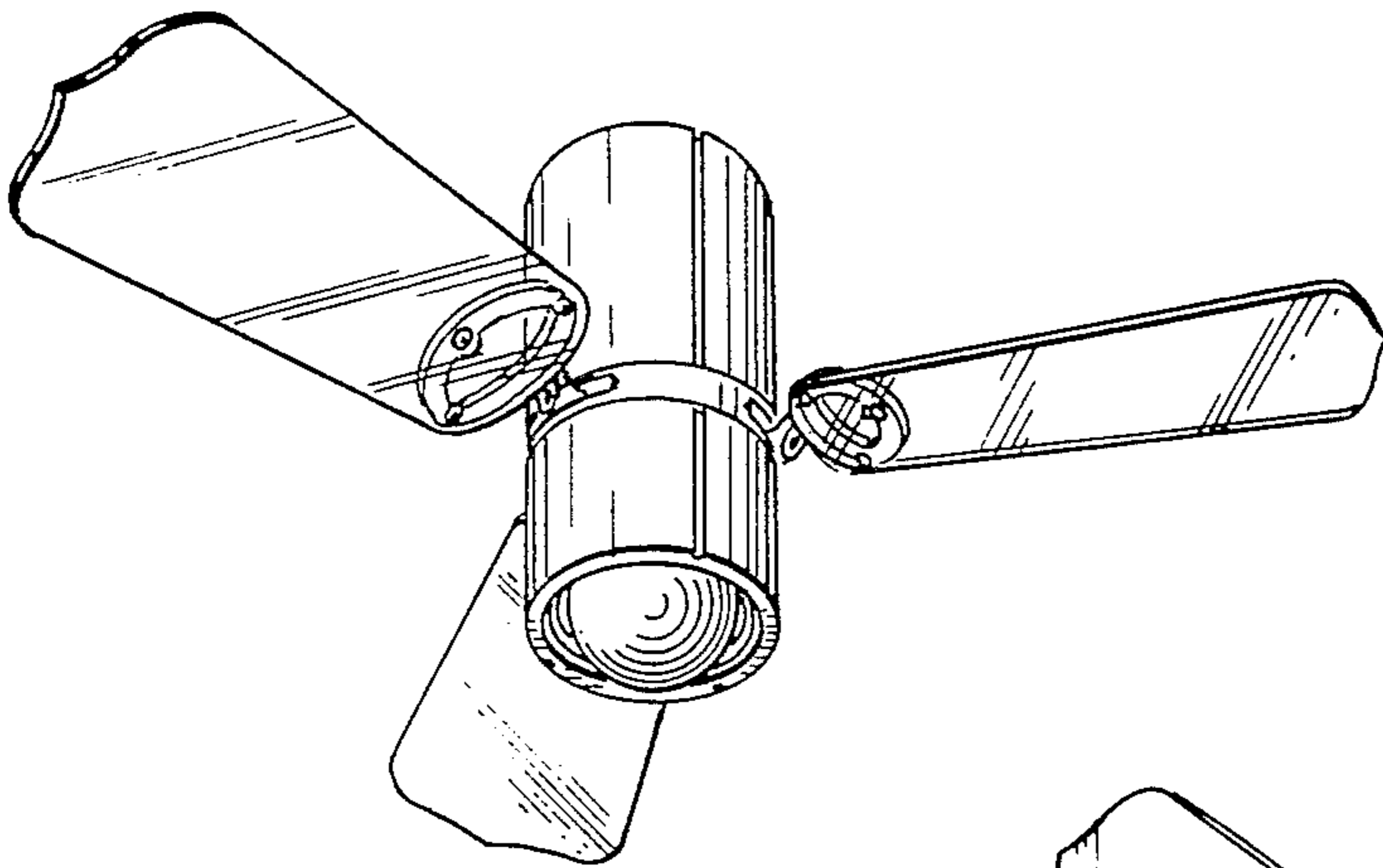


FIG. 3

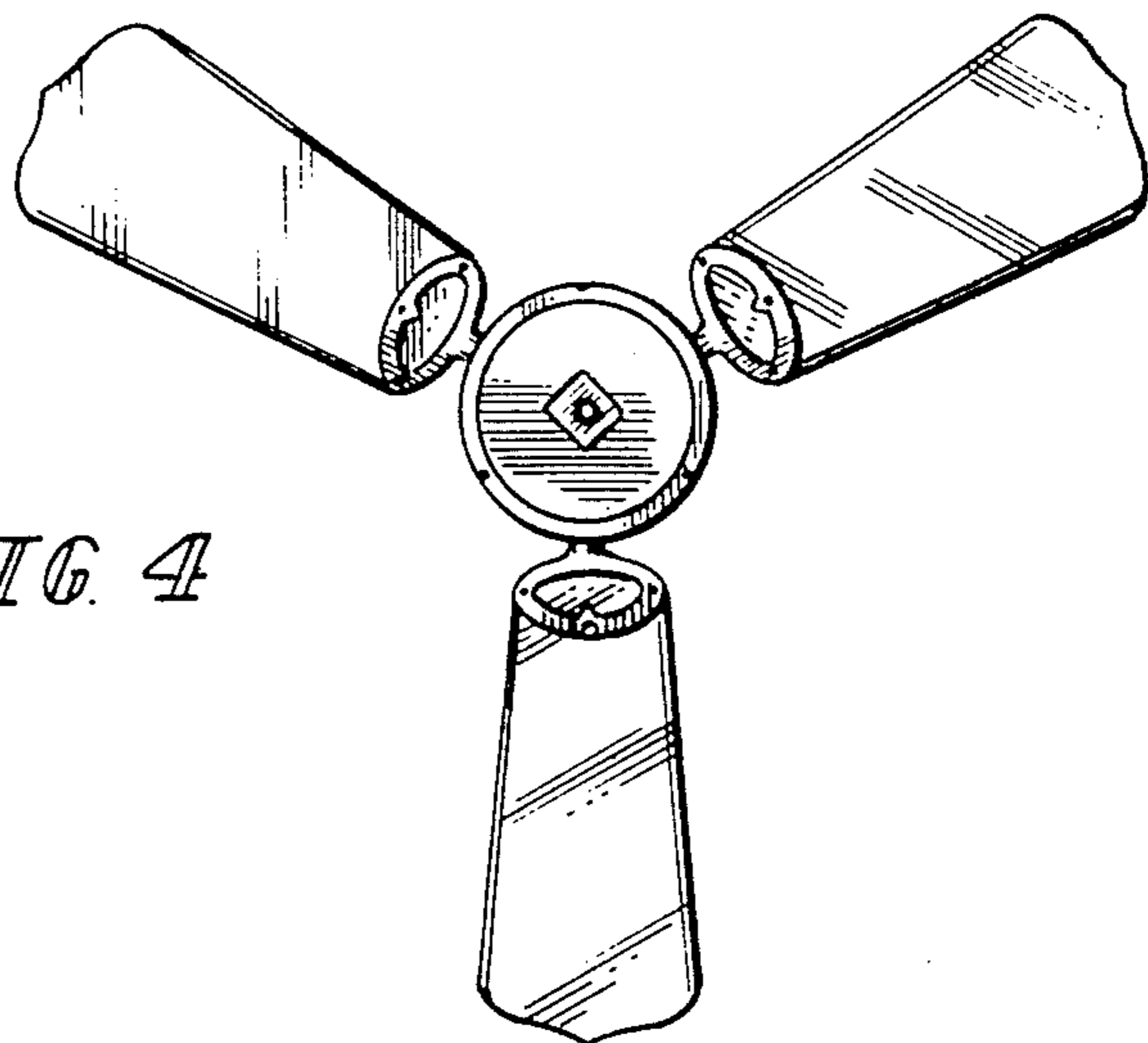


FIG. 4