

[54] HOUSING FOR AUTOMOTIVE AIR CONDITIONER

[75] Inventors: Robert H. Tigner, Arlington; Carl C. Richardson, Fort Worth, both of Tex.

[73] Assignee: A.R.A. Manufacturing Company of Delaware, Inc., Grand Prairie, Tex.

[\*\*] Term: 14 Years

[21] Appl. No.: 794,405

[22] Filed: Nov. 1, 1985

[52] U.S. Cl. .... D23/142

[58] Field of Search ..... D23/139-145, D23/163, 167; 62/235, 241, 244, 262-263

[56] References Cited

U.S. PATENT DOCUMENTS

D. 187,788	5/1960	Anglin	.....	D23/142
D. 247,306	2/1978	Magee	.....	D23/142
4,432,213	2/1984	Katahira et al.	.....	62/244 X
4,545,211	10/1985	Gaus	.....	62/244 X

Primary Examiner—B. J. Bullock  
Assistant Examiner—Brian N. Vinson  
Attorney, Agent, or Firm—Cox & Smith Inc.

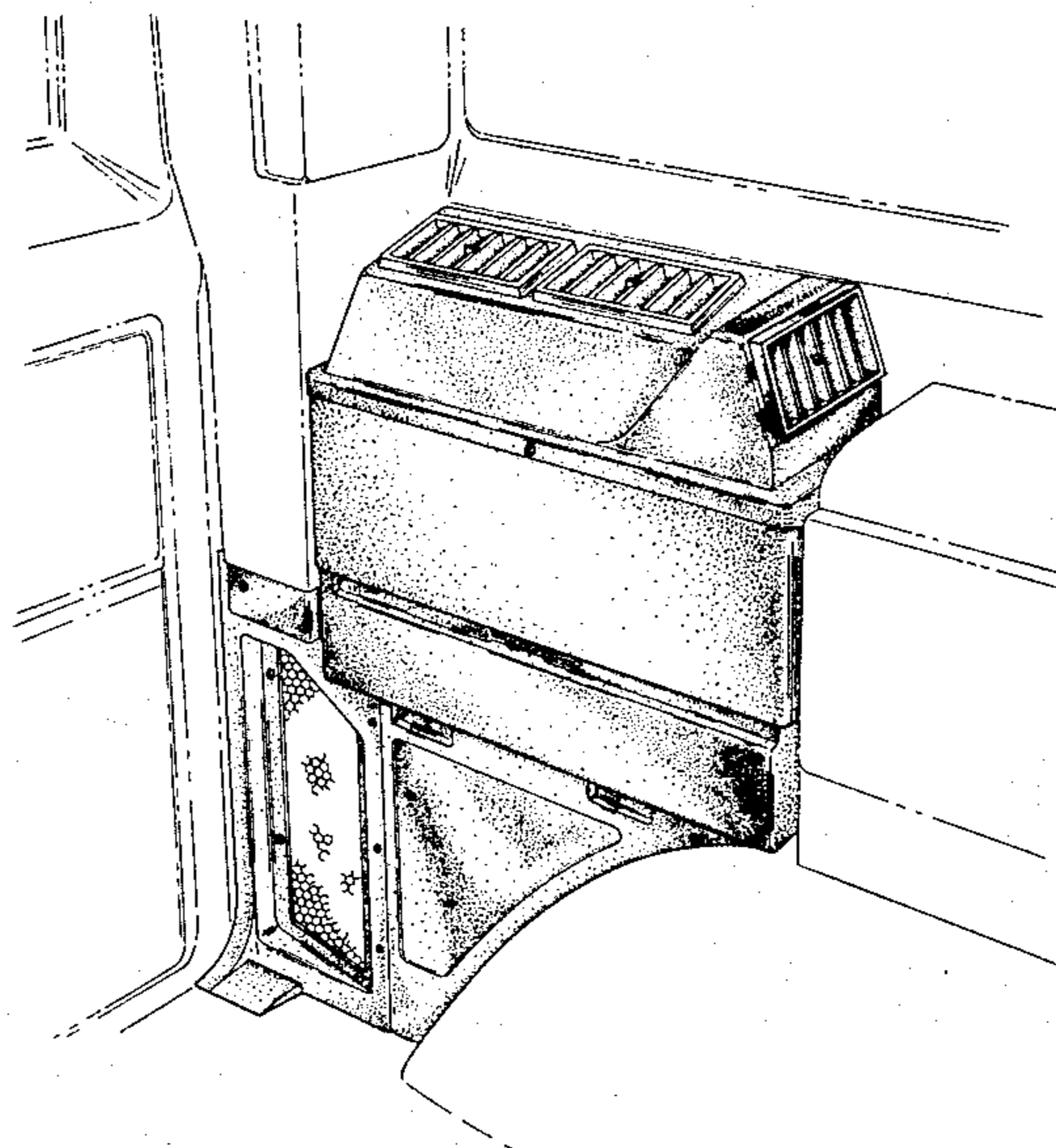
[57] CLAIM

The ornamental design for a housing for automotive air conditioner, as shown and described.

DESCRIPTION

FIG. 1 is a top plan view of a housing for automotive air conditioner showing our new design; FIG. 2 is a left side elevational view thereof; FIG. 3 is a front elevational view thereof; FIG. 4 is a right side elevational view thereof; FIG. 5 is a rear elevational view thereof; FIG. 6 is a bottom plan view thereof; and FIG. 7 is a top and front perspective view thereof; the partial broken-line showing of the vehicle interior being for illustrative purposes only and forming no part of the claimed design.

The honeycomb pattern partially shown in FIGS. 2-7 is understood to repeat uniformly throughout the circumscribed area.



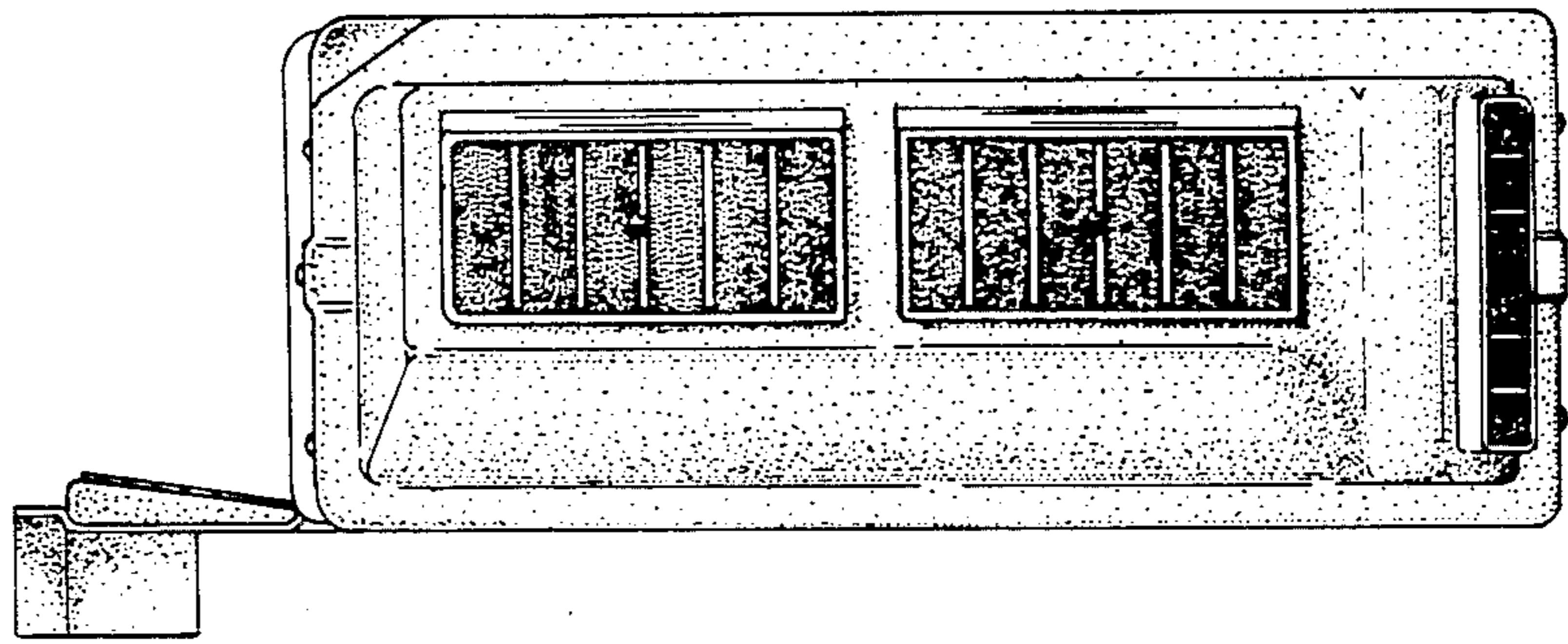


FIG. 1

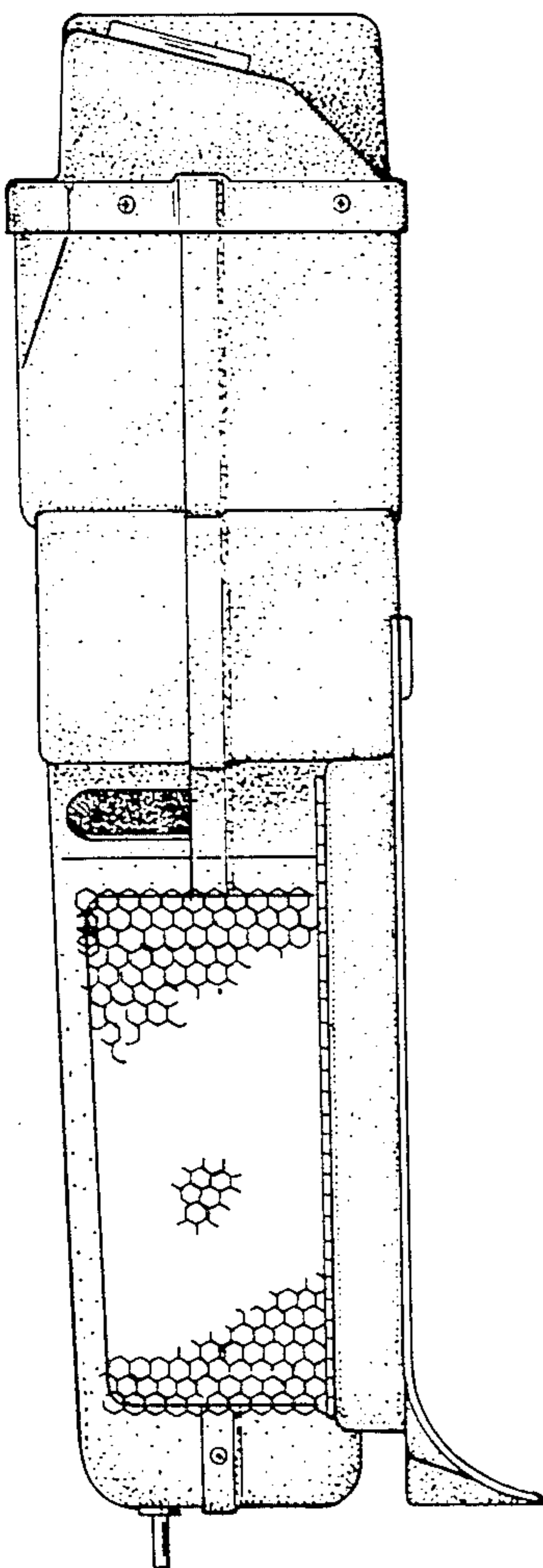


FIG. 2

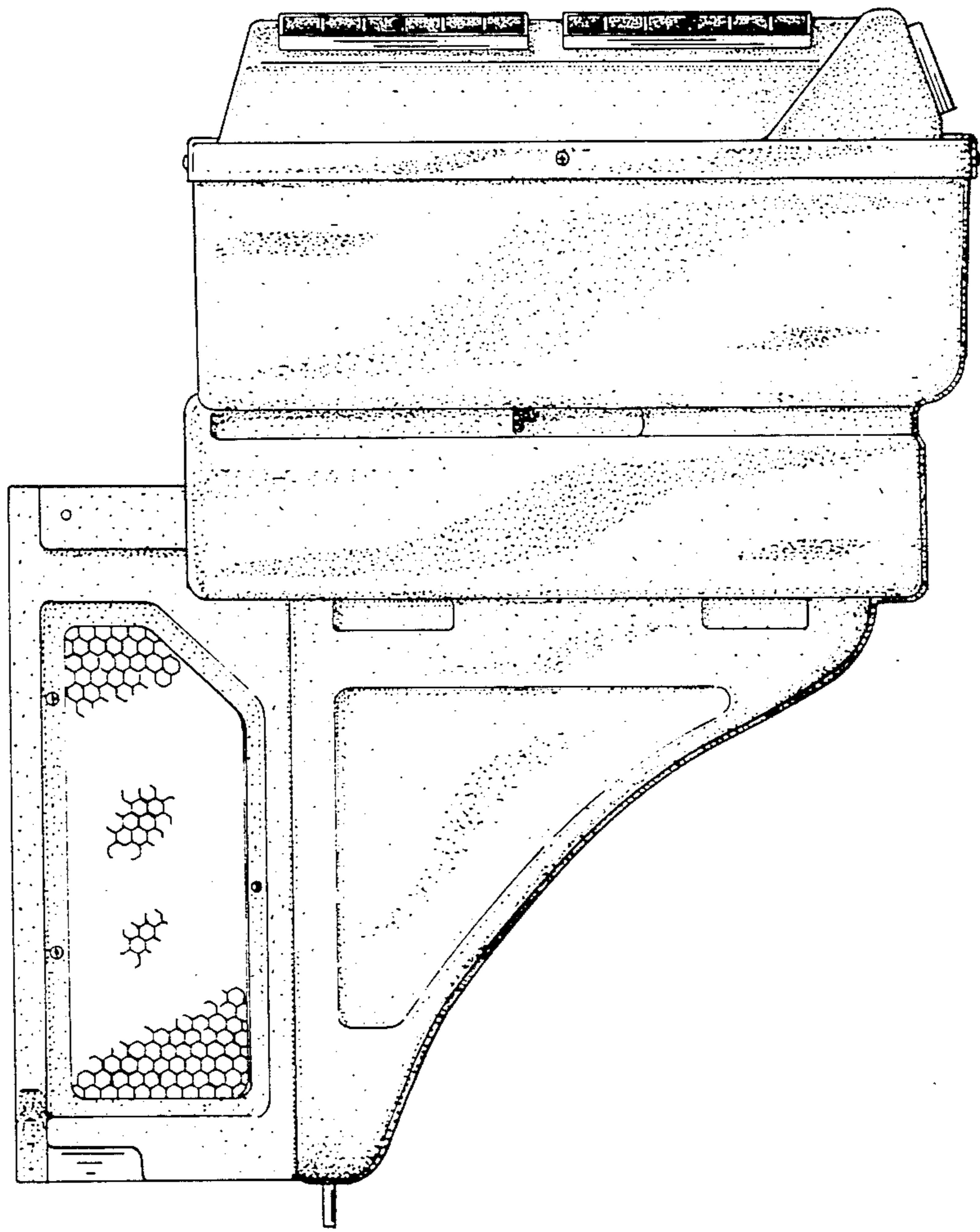


FIG. 3

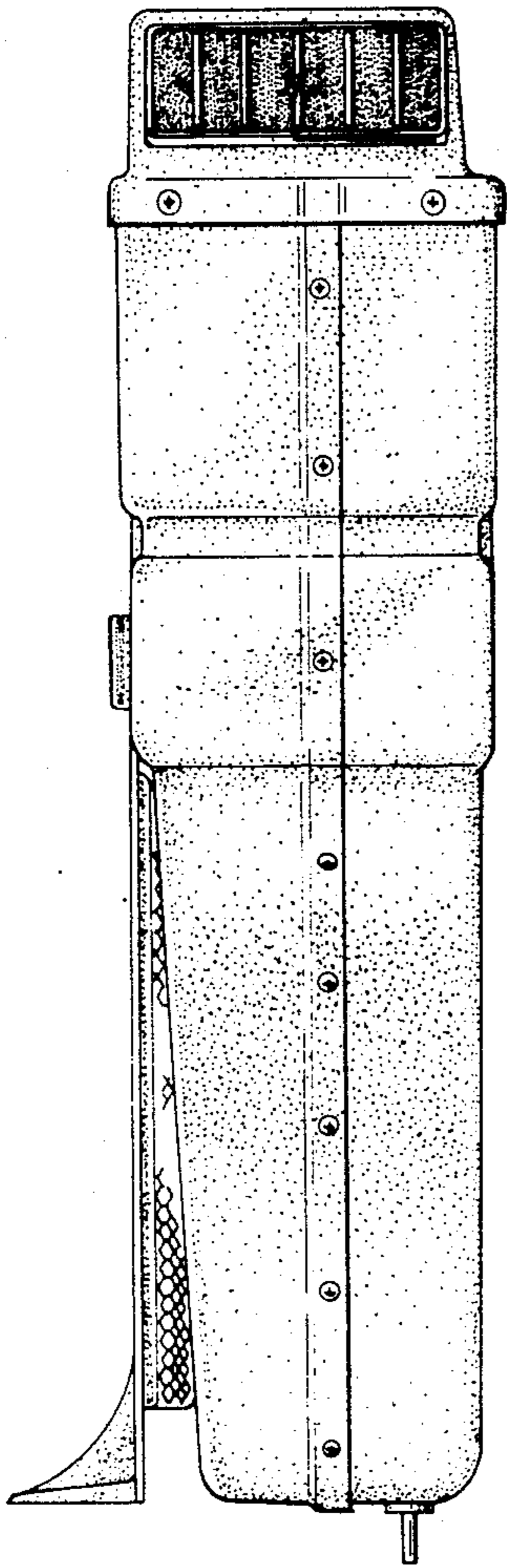


FIG. 4

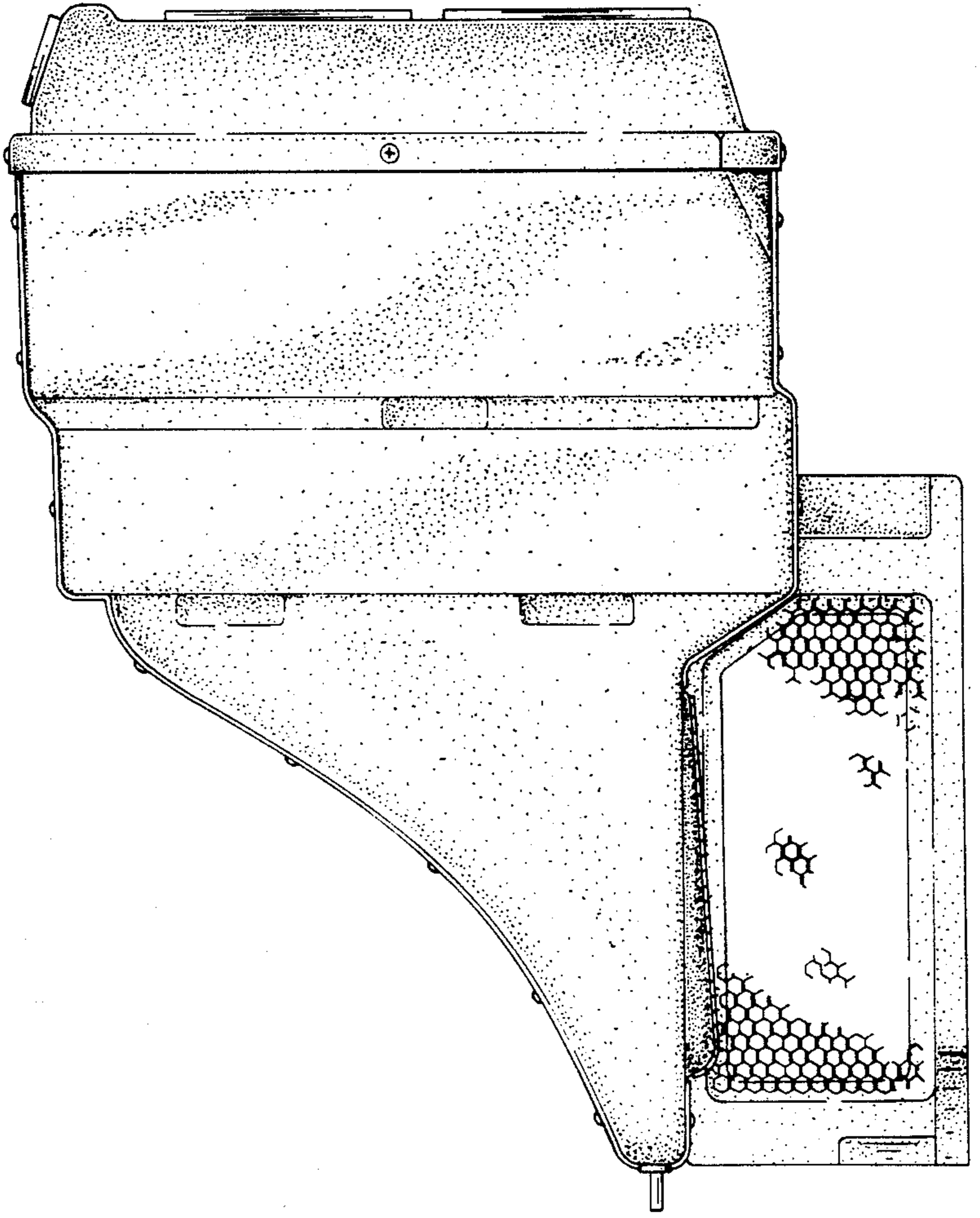


FIG. 5

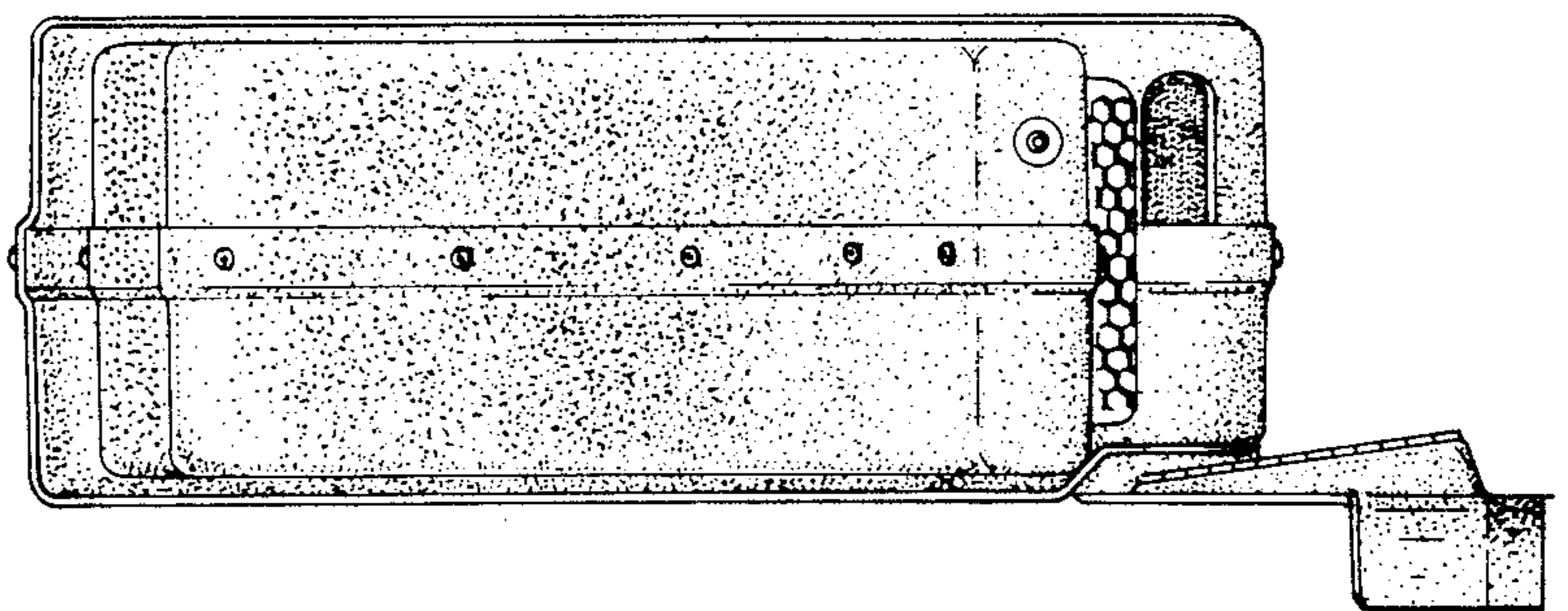


FIG. 6

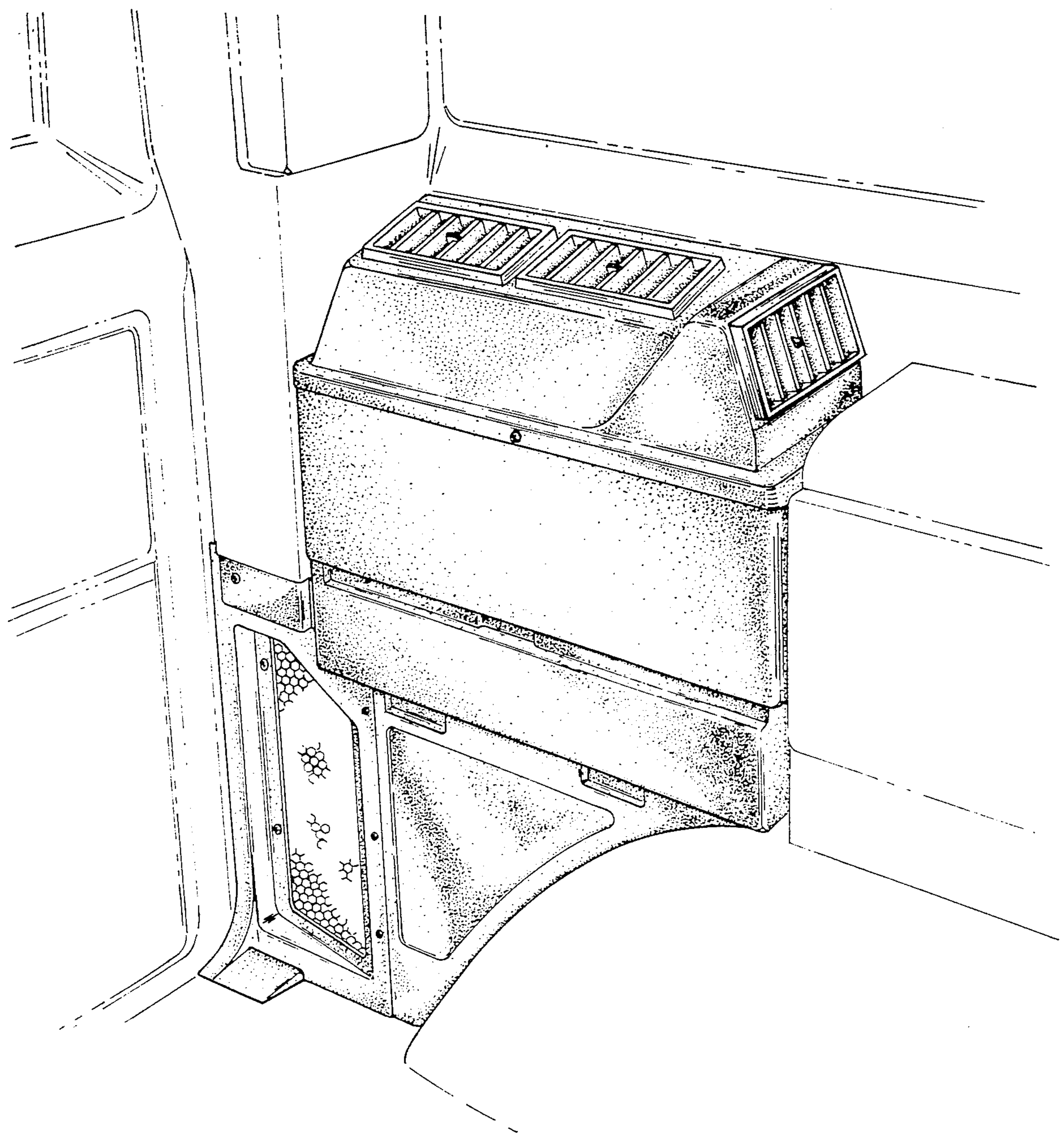


FIG. 7