

[54] **HEATING STOVE**

[75] **Inventors: Graeme J. Ord; Robert N. Lockhart,**
both of Auckland, New Zealand

[73] **Assignee: Kent Heating Limited, Mangere,**
New Zealand

[**] **Term: 14 Years**

[21] **Appl. No.: 671,285**

[22] **Filed: Nov. 14, 1984**

[30] **Foreign Application Priority Data**

May 18, 1984 [NZ] New Zealand 19109

[52] **U.S. Cl. D23/97**

[58] **Field of Search D23/92-97,**
D23/105; 126/4, 6, 58, 60-66, 120, 121, 123,
126

[56] **References Cited**

U.S. PATENT DOCUMENTS

- D. 263,493 3/1982 Russo D23/97
- D. 265,339 7/1982 Baughman D23/97
- D. 269,368 6/1983 Schrader D23/97

Primary Examiner—Catherine E. Kemper
Attorney, Agent, or Firm—Holman & Stern

[57] **CLAIM**

The ornamental design for a heating stove, as shown.

DESCRIPTION

FIG. 1 is a perspective view of a heating stove, showing our new design;

FIG. 2 is a side elevational view thereof;

FIG. 3 is a front elevational view thereof;

FIG. 4 is a top plan view thereof;

FIG. 5 is a rear elevational view thereof.

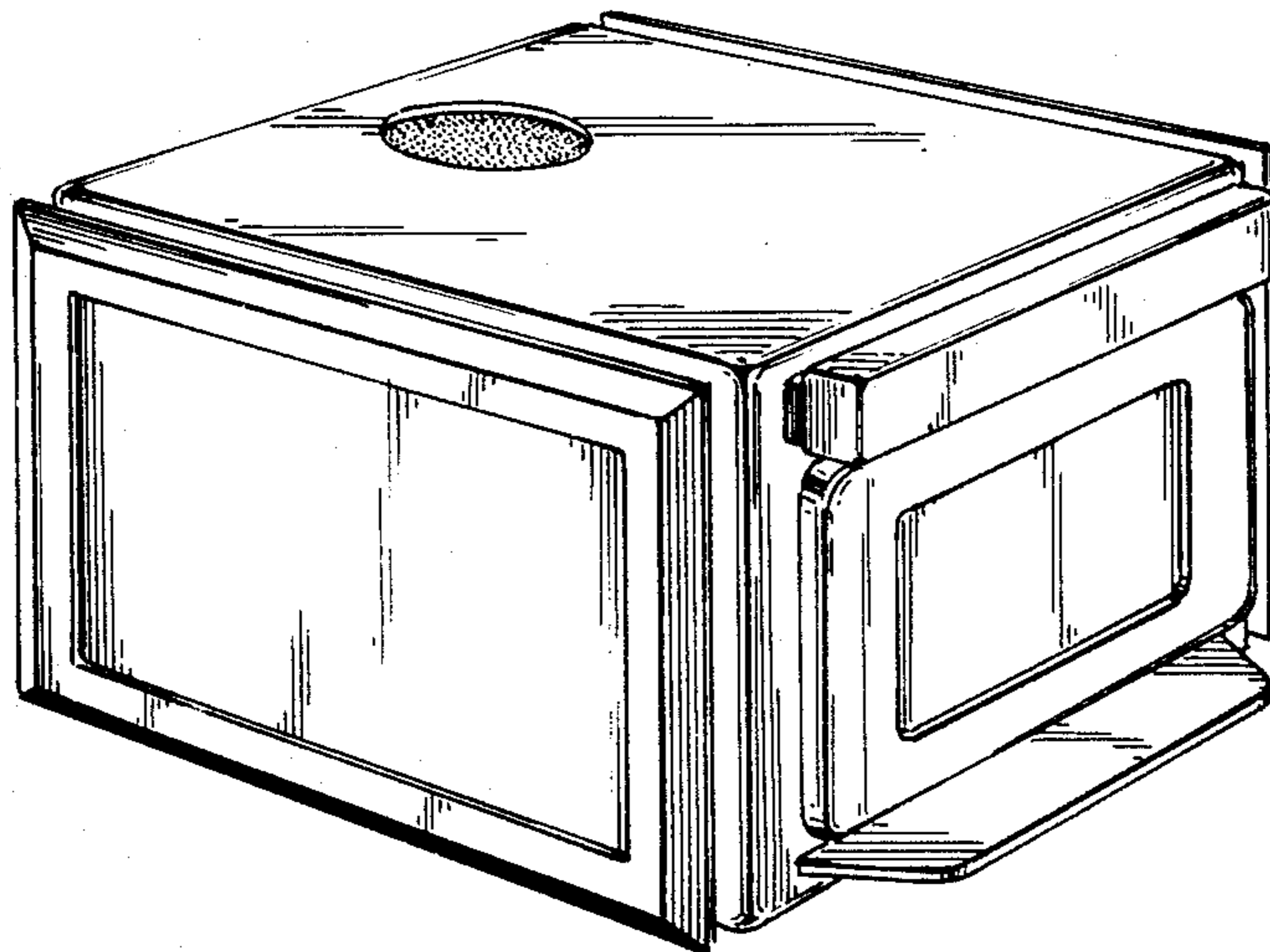


FIG. 1

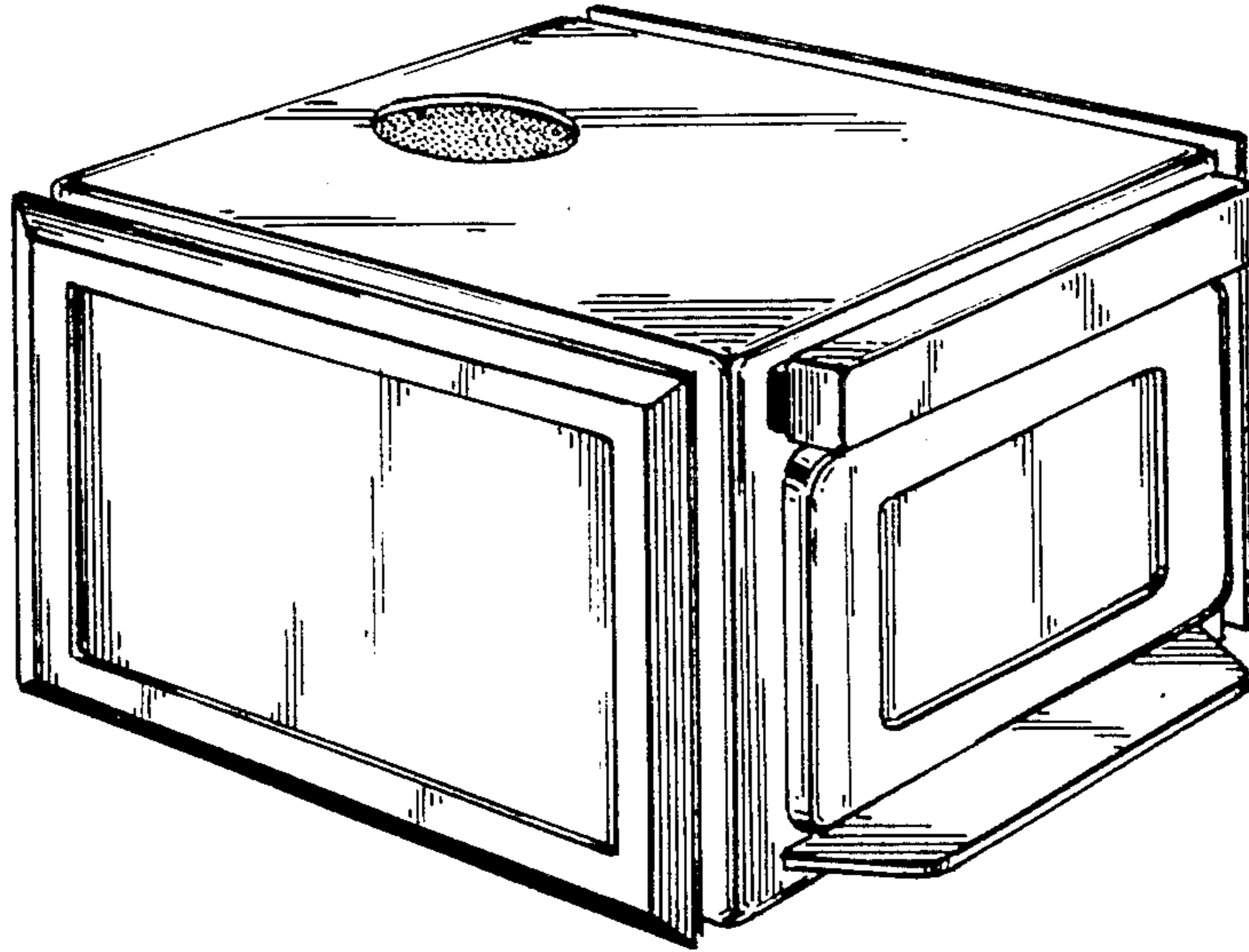


FIG. 2

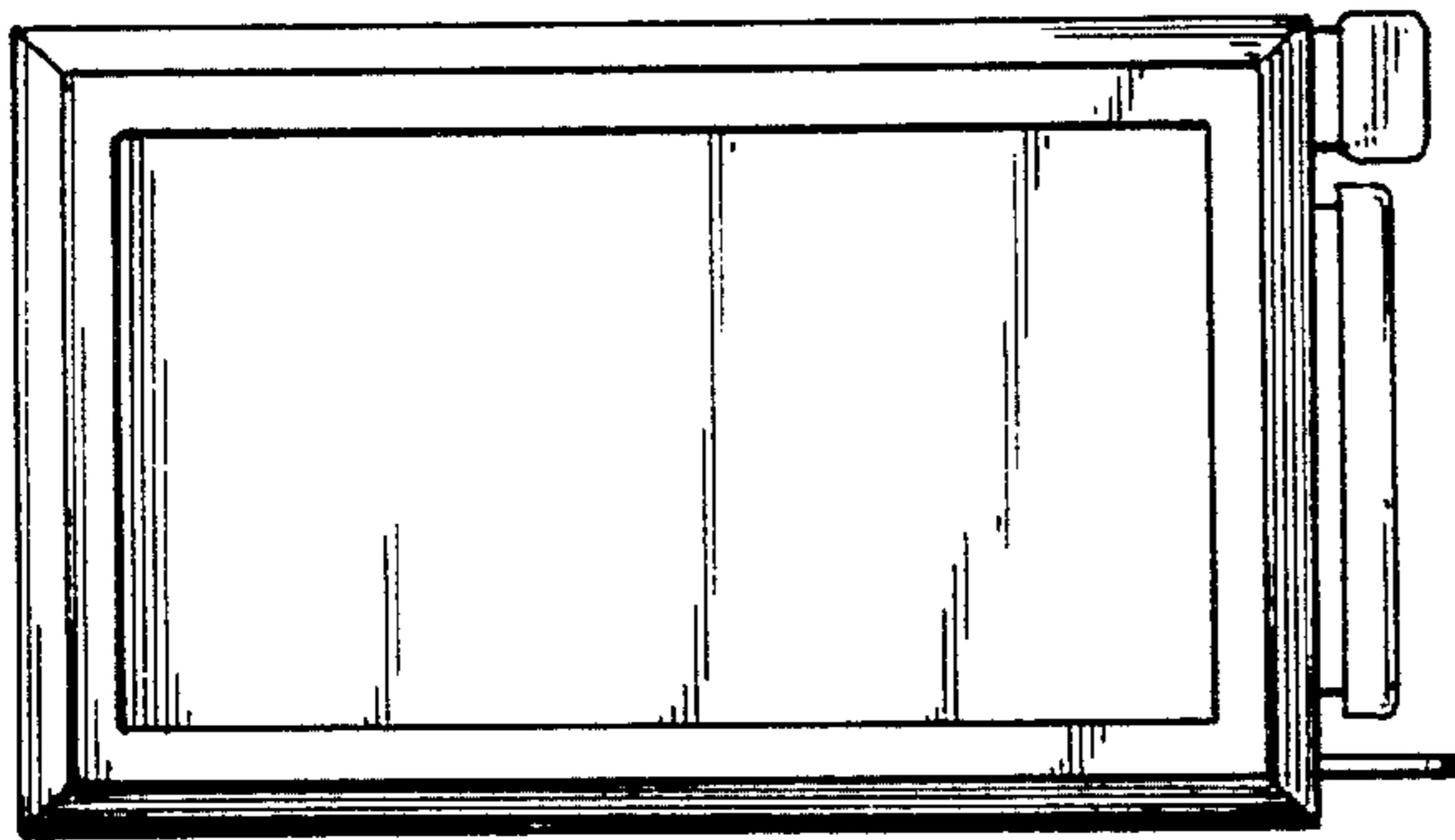


FIG. 3

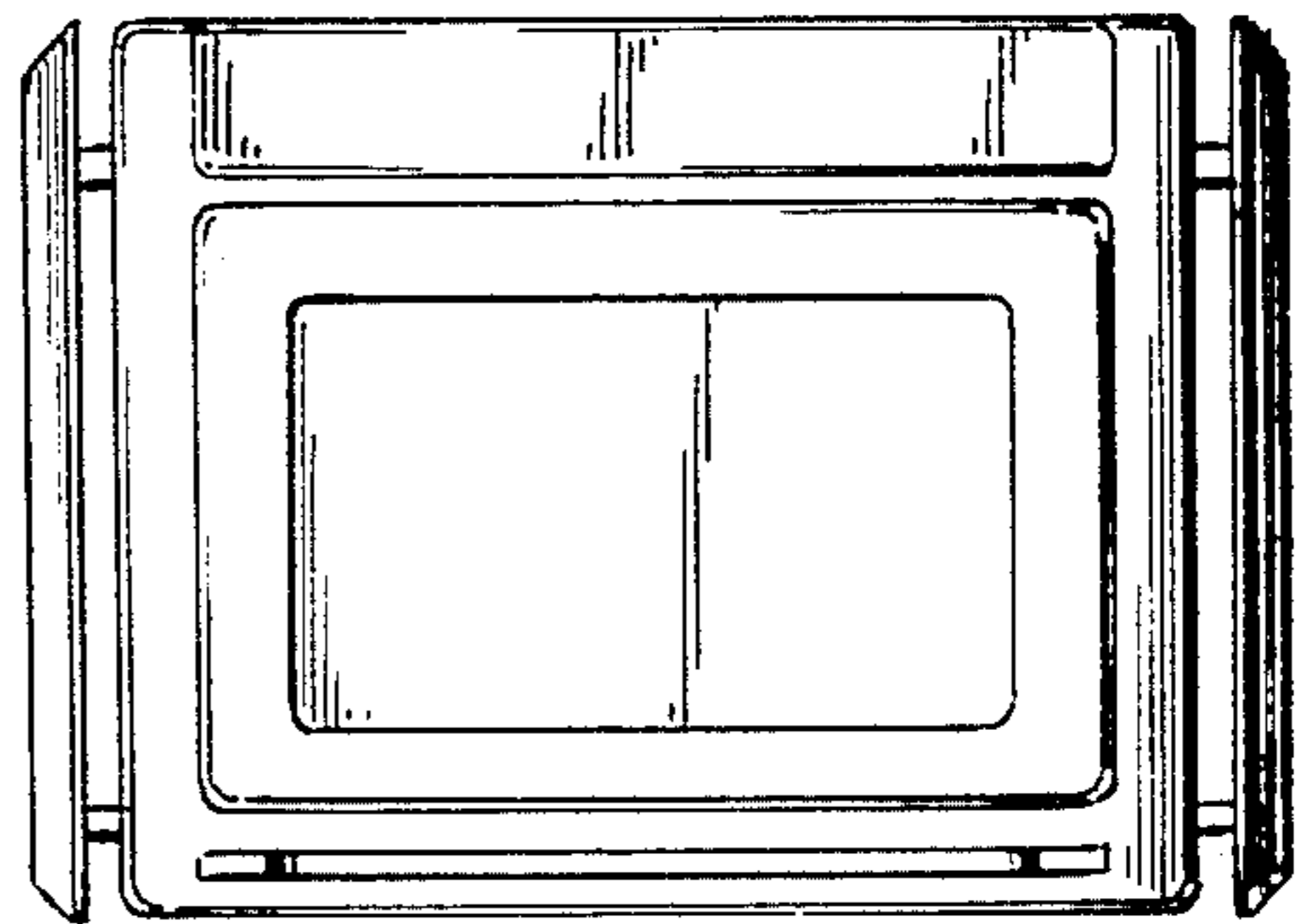


FIG. 4

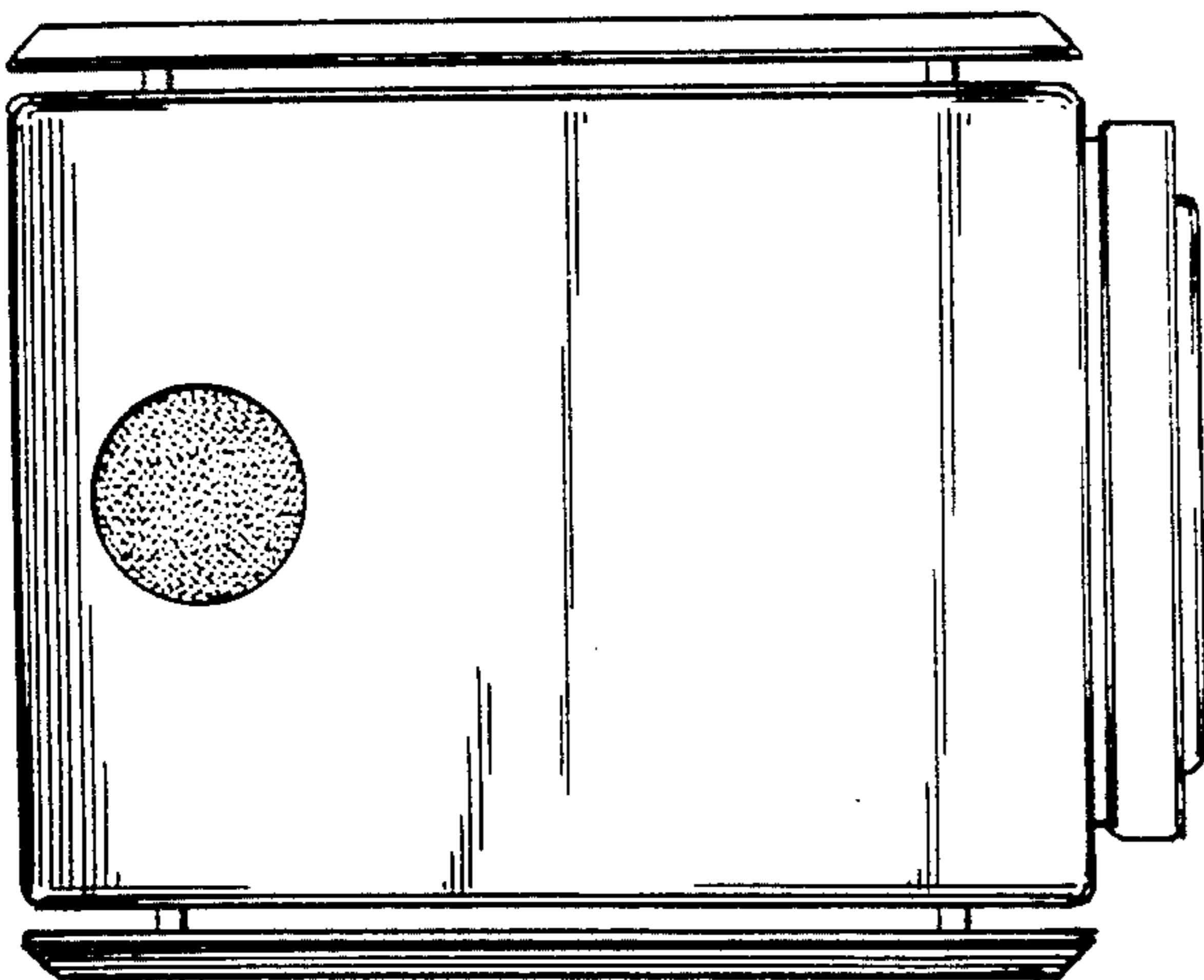


FIG. 5

