

[54] FISHING REEL

[75] Inventor: Kanji Iinuma, Tokyo, Japan

[73] Assignee: Daiwa Seiko Inc., Tokyo, Japan

[**] Term: 14 Years

[21] Appl. No.: 675,590

[22] Filed: Nov. 28, 1984

[30] Foreign Application Priority Data

May 28, 1984 [JP] Japan 59-21702
 [52] U.S. Cl. D22/141
 [58] Field of Search D22/140, 141;
 242/84.1 R, 84.1 J, 84.2 R-84.2 J, 84.21 R,
 84.21 A

[56]

References Cited

U.S. PATENT DOCUMENTS

D. 269,031 5/1983 Kanamaru et al. D22/141
 D. 270,934 10/1983 Iinuma D22/141

Primary Examiner—Hugo A. Word
 Attorney, Agent, or Firm—Sughrue, Mion, Zinn
 Macpeak & Seas

[57]

CLAIM

The ornamental design for a fishing reel, as shown.

DESCRIPTION

FIG. 1 is a perspective view of the top, front and one side of a fishing reel showing my new design;
 FIG. 2 is a side elevation view of said one side thereof;
 FIG. 3 is a side elevational view of the opposite side thereof;
 FIG. 4 is a front elevation view thereof;
 FIG. 5 is a rear elevation view thereof;
 FIG. 6 is a top plan view thereof; and
 FIG. 7 is a bottom plan view thereof.

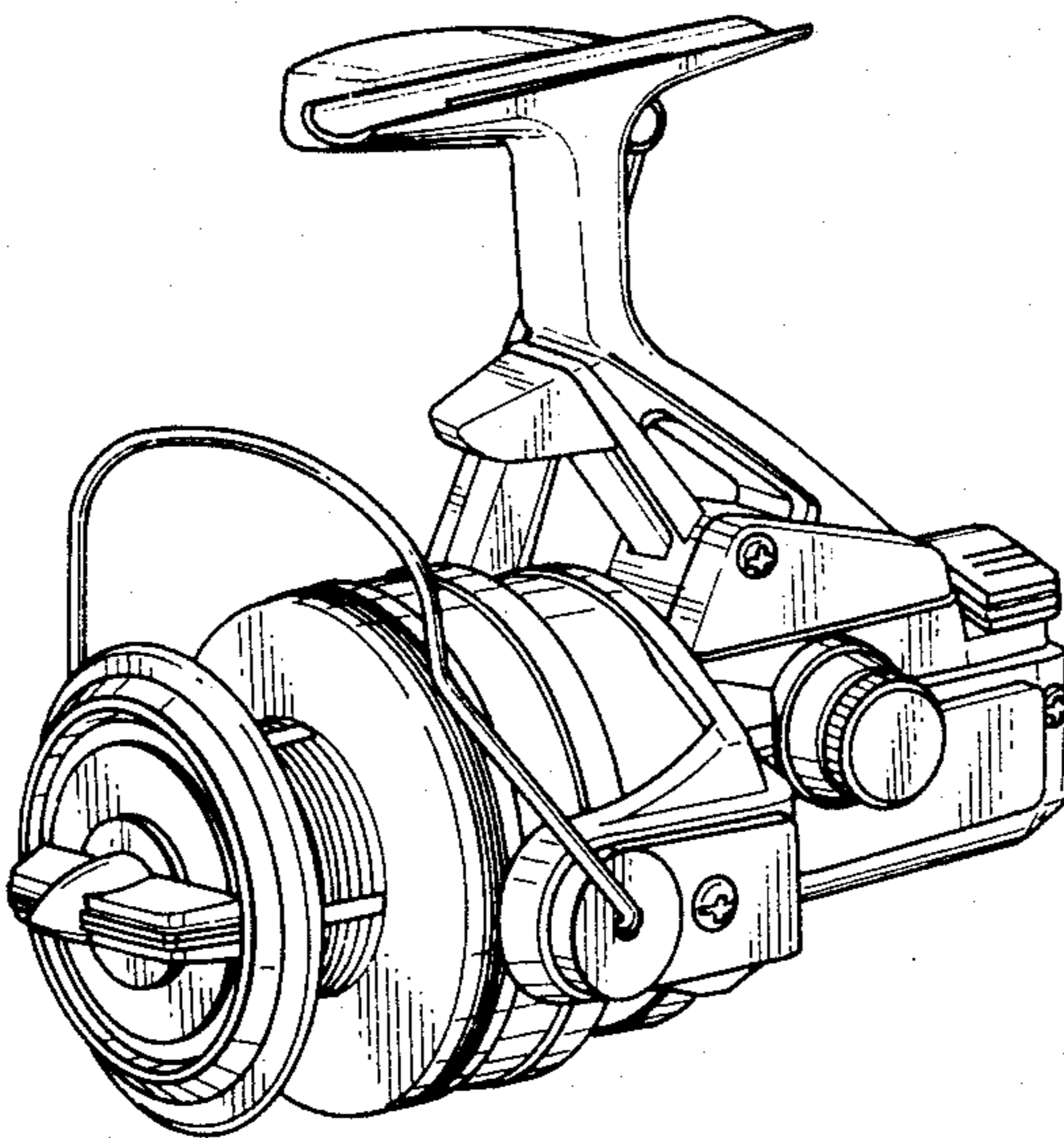


Fig. 1

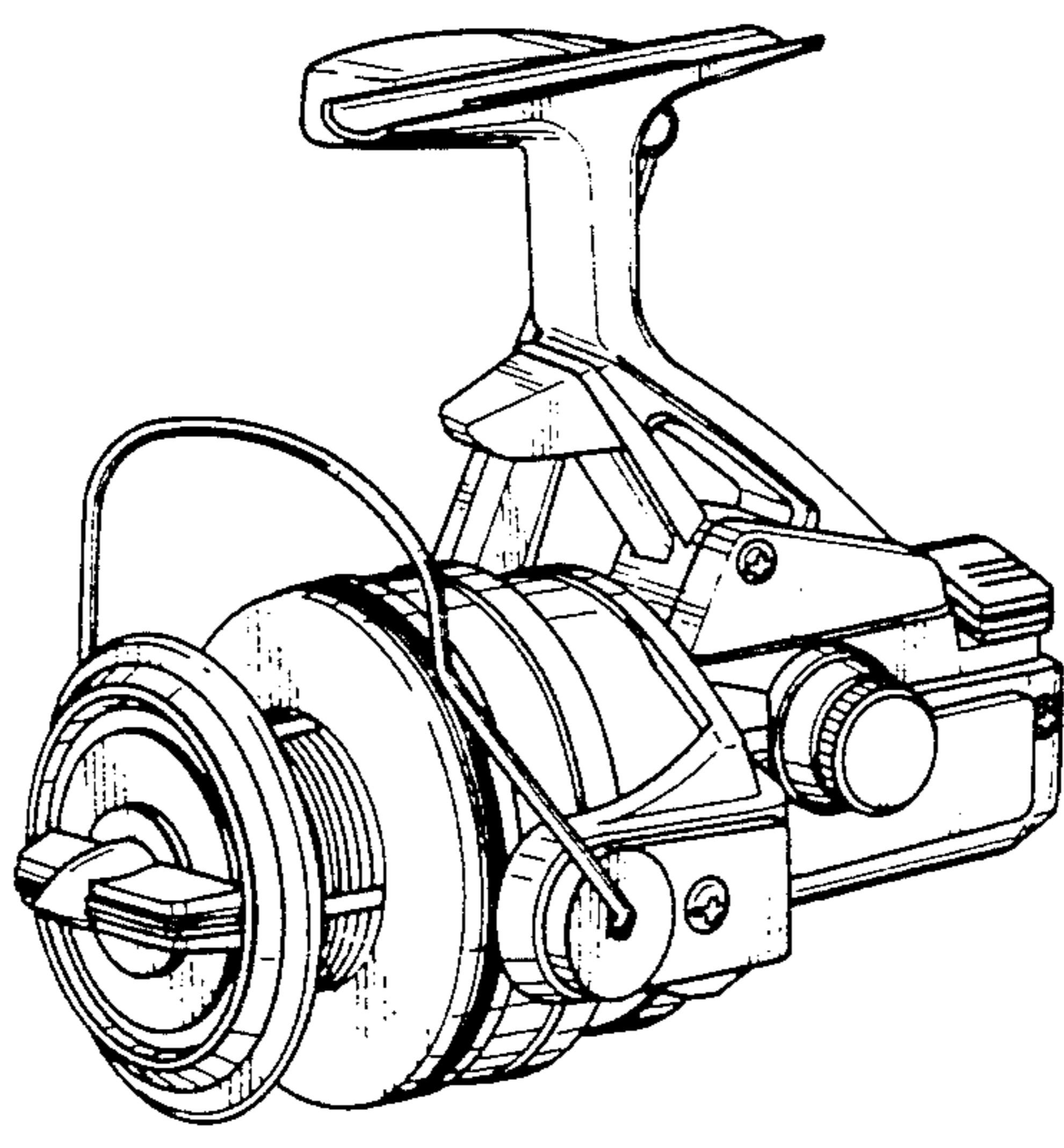


Fig. 2

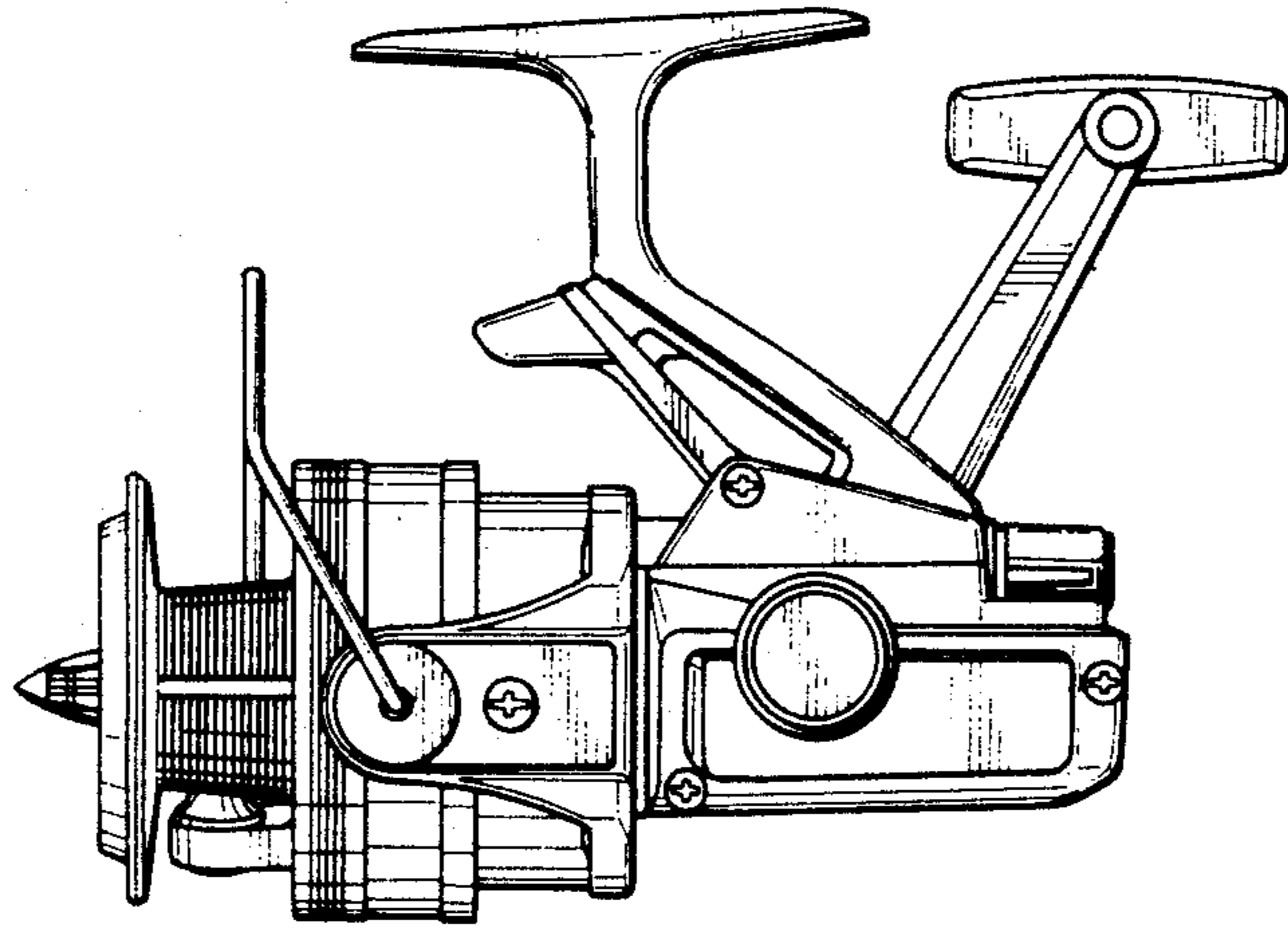


Fig. 3

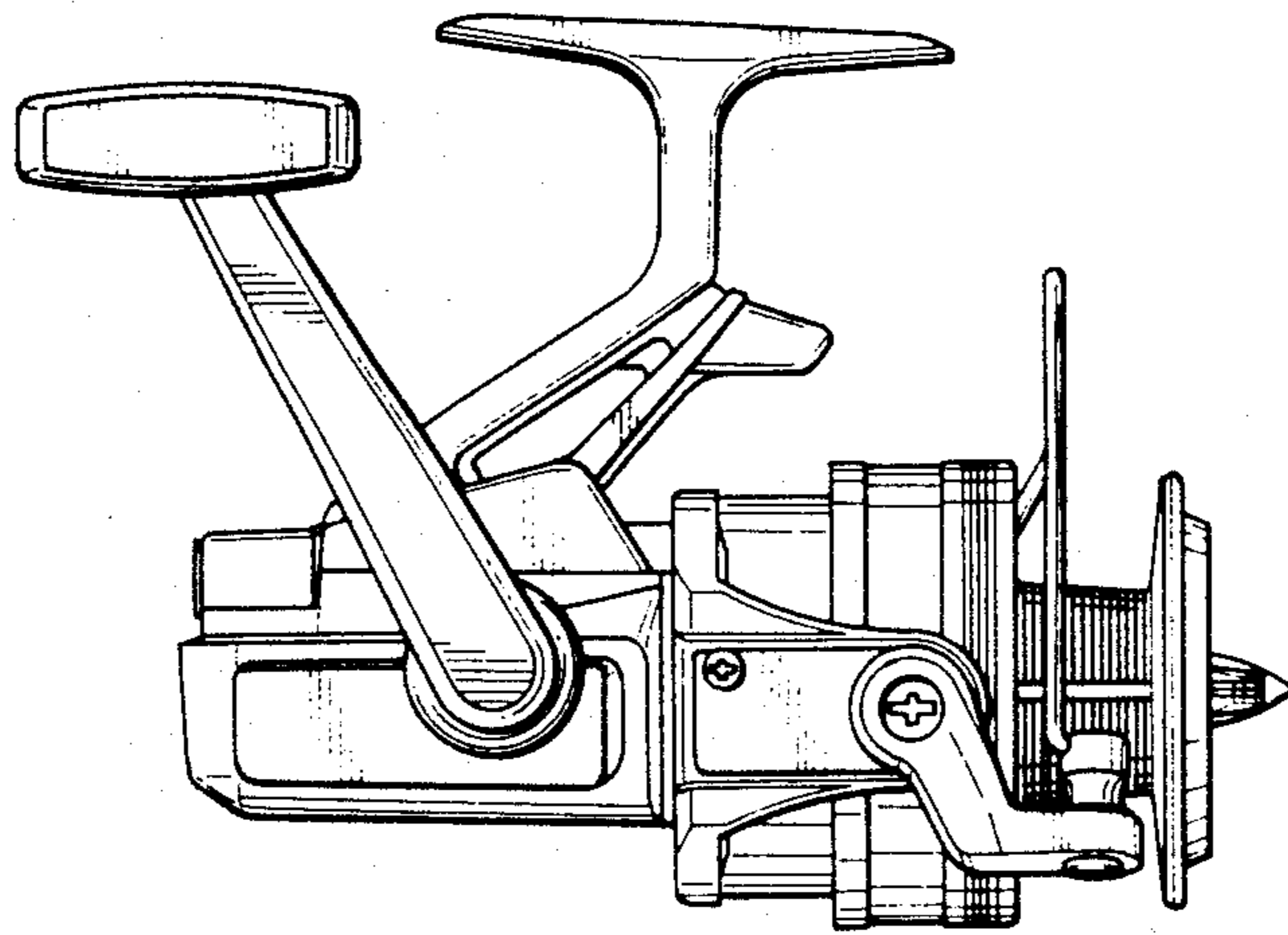


Fig. 4

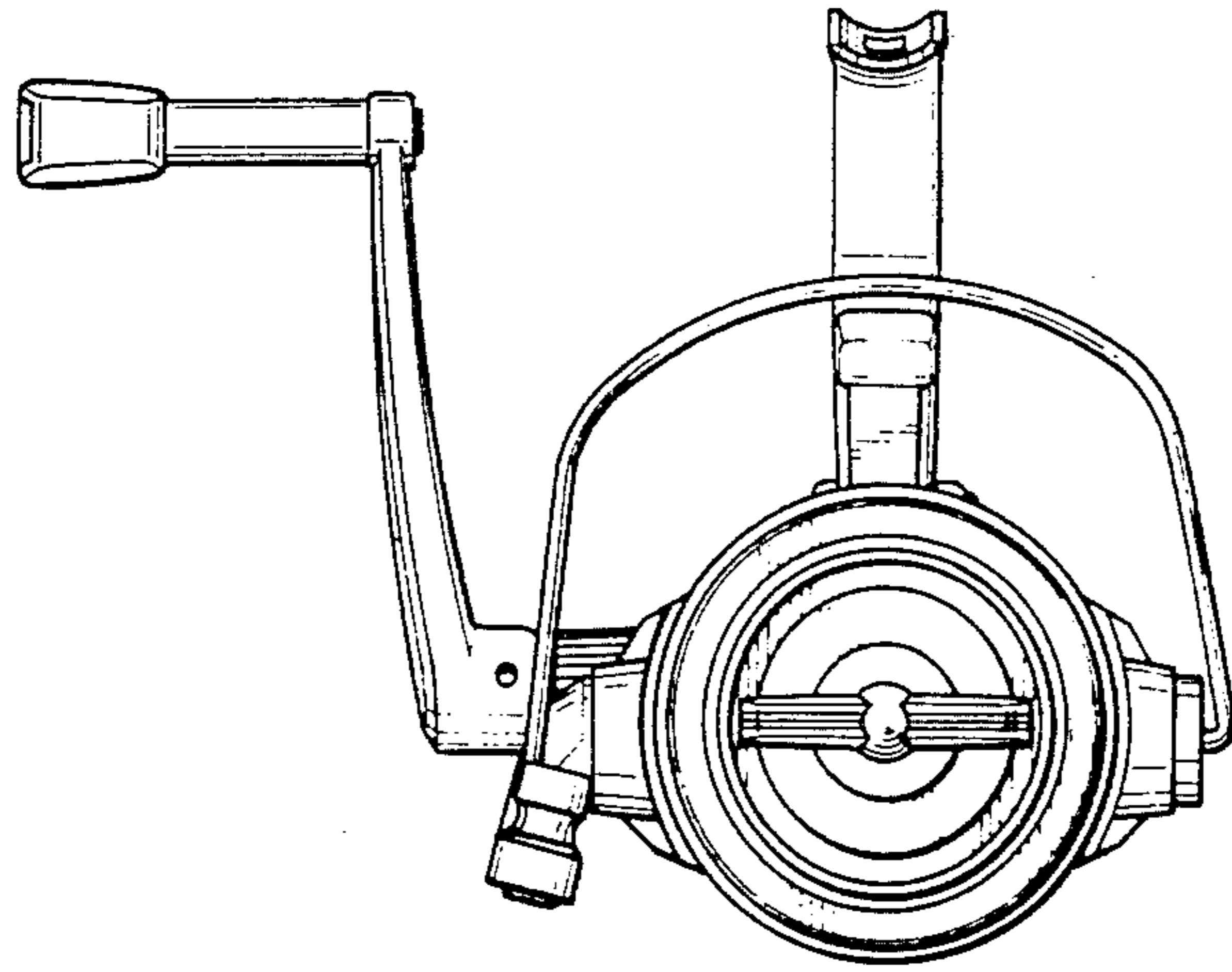


Fig. 5

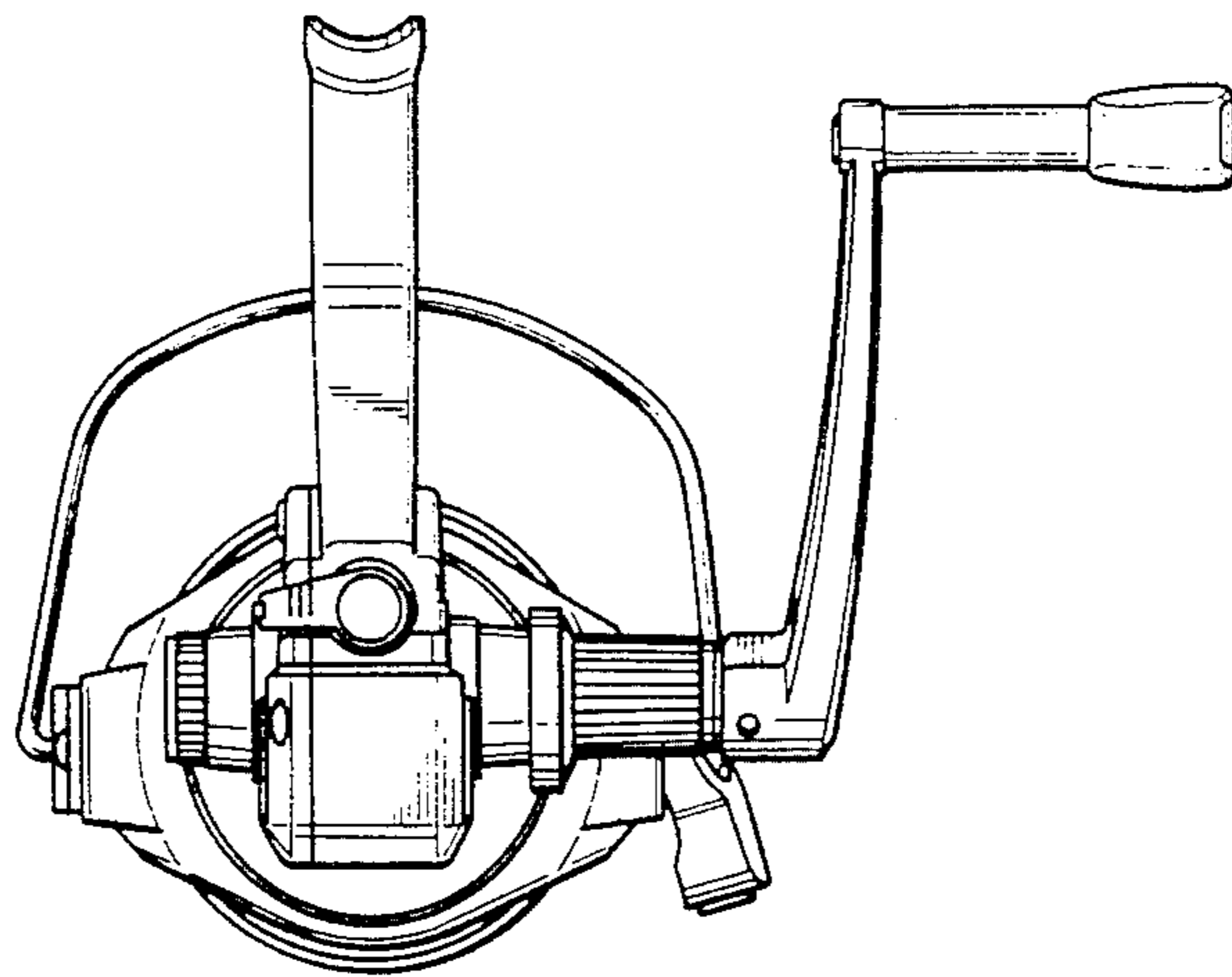


Fig. 6

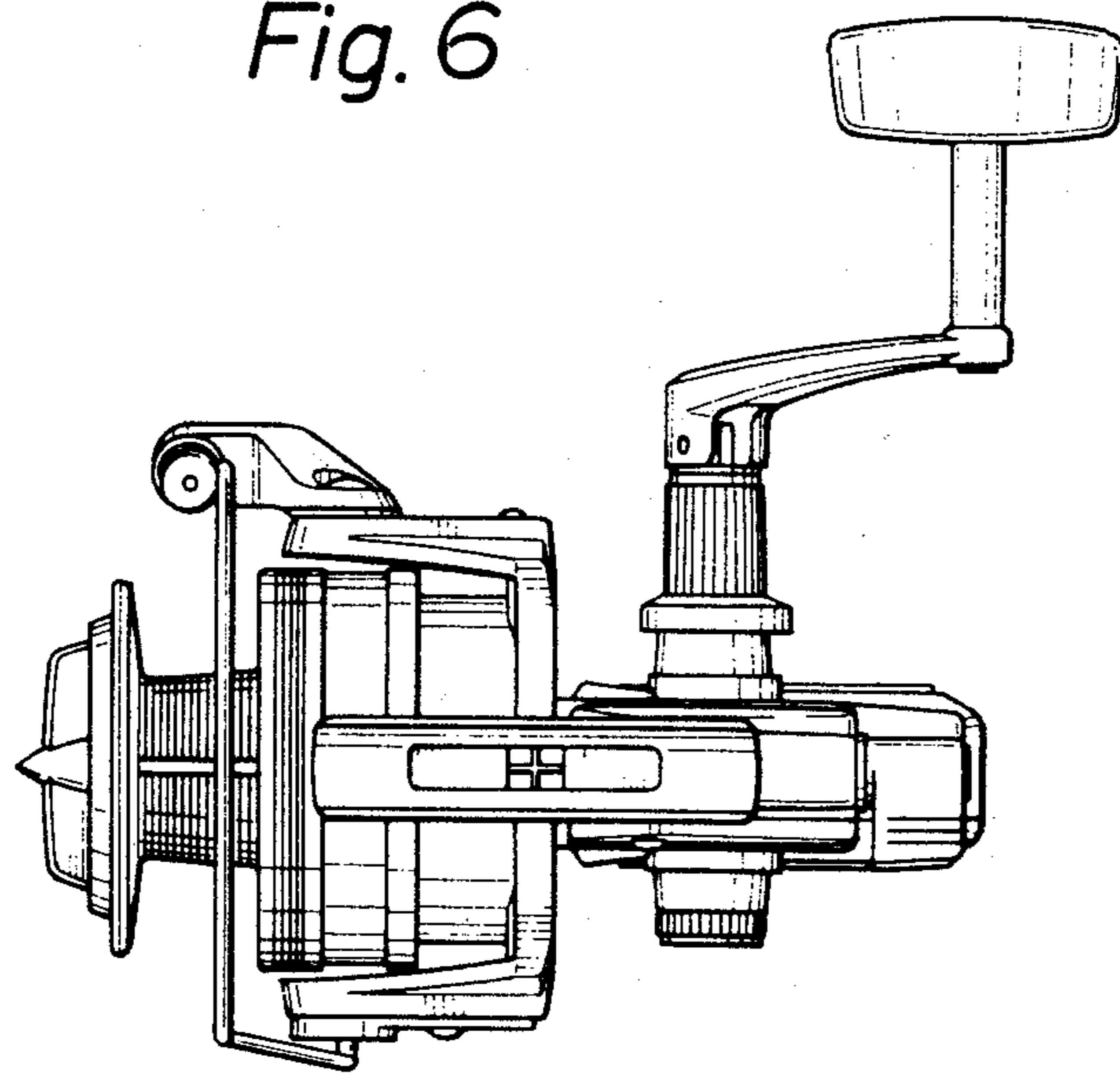


Fig. 7

