

[54] **BUOY MARKER LAUNCHER**

[76] **Inventor: Albert E. Canady, P.O. Box 282,
Midland, Ind. 47445**

[**] **Term: 14 Years**

[21] **Appl. No.: 665,147**

[22] **Filed: Oct. 26, 1984**

[52] **U.S. Cl. D22/113**

[58] **Field of Search D22/100, 113; 89/1.34,
89/1.35, 1.3, 1.816, 1.817, 1.818; 42/1.15, 55,
51; 441/1, 6**

[56] **References Cited**

U.S. PATENT DOCUMENTS

3,505,926	4/1970	Johnson	89/1.34
4,263,835	4/1981	Dragonuk	89/1.3
4,279,025	7/1981	Suppa	441/1

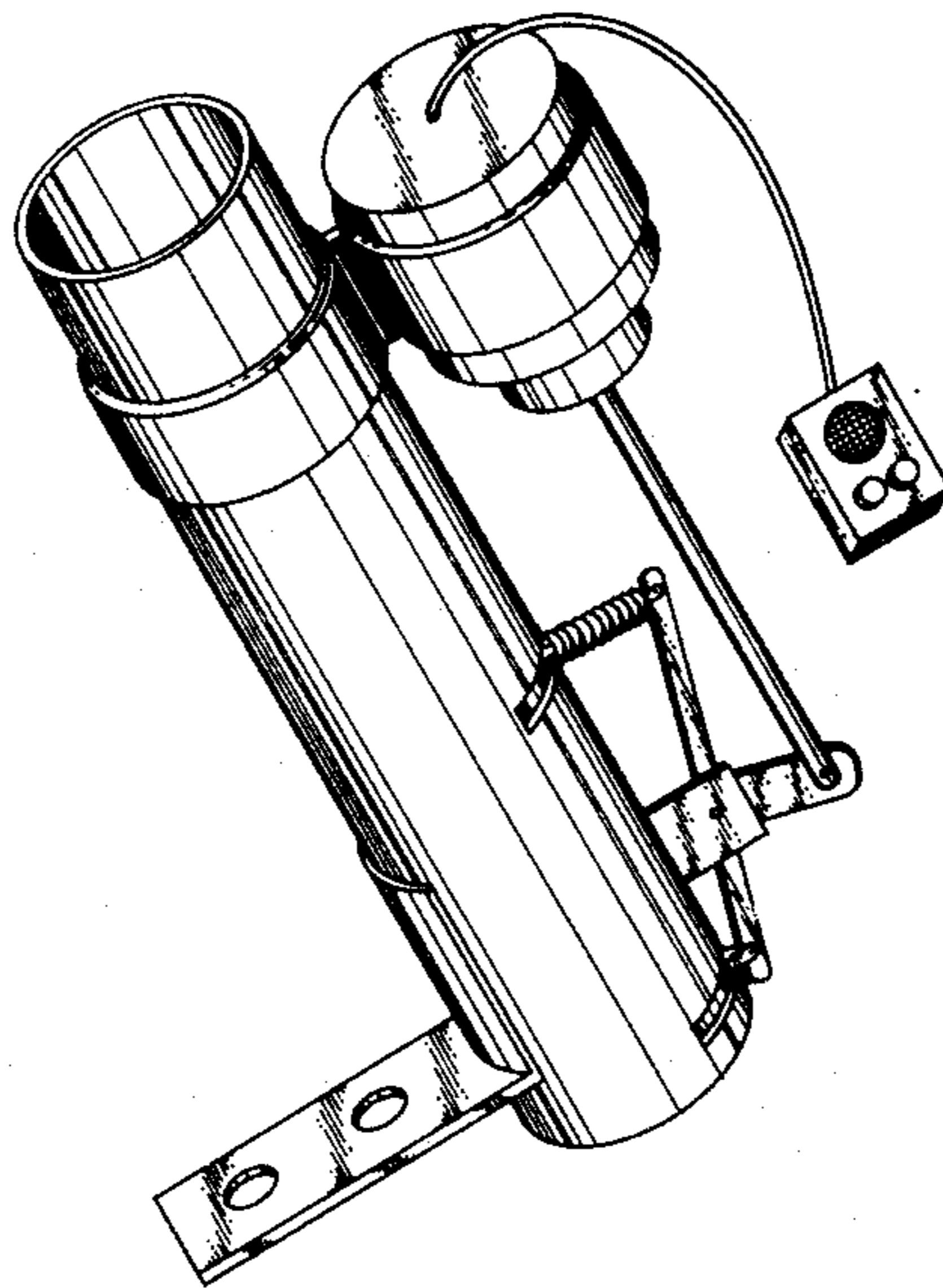
Primary Examiner—James M. Gandy
Assistant Examiner—Kay H. Chin
Attorney, Agent, or Firm—Don E. Ferrell

[57] **CLAIM**

The ornamental design for a buoy marker launcher, as shown.

DESCRIPTION

FIG. 1 is a perspective view of a buoy marker launcher showing my new design;
FIG. 2 is a top plan view thereof;
FIG. 3 is a side elevation view thereof;
FIG. 4 is a side elevation view of the side opposite that shown in FIG. 3 thereof; and
FIG. 5 is a bottom plan view thereof.
The control box shown in FIG. 1 is not shown in FIGS. 2 thru 5 for ease of illustration.



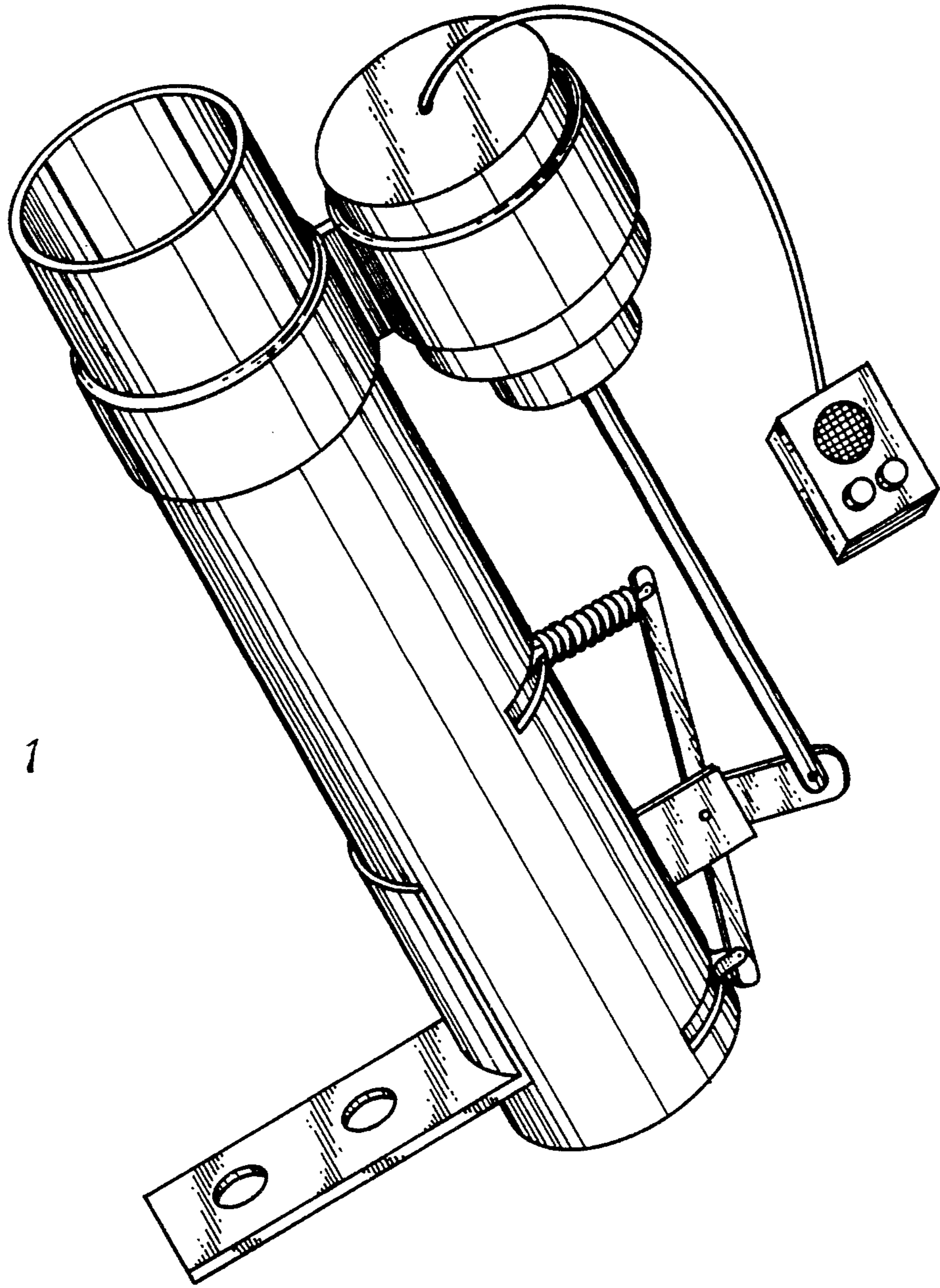
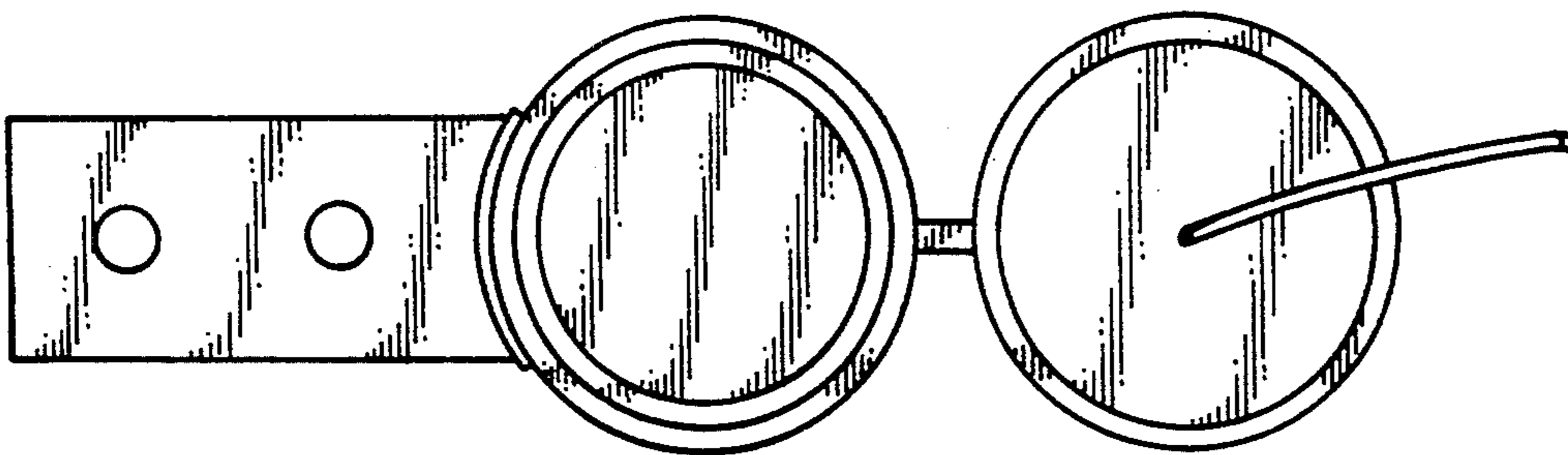


Fig. 1

Fig. 2



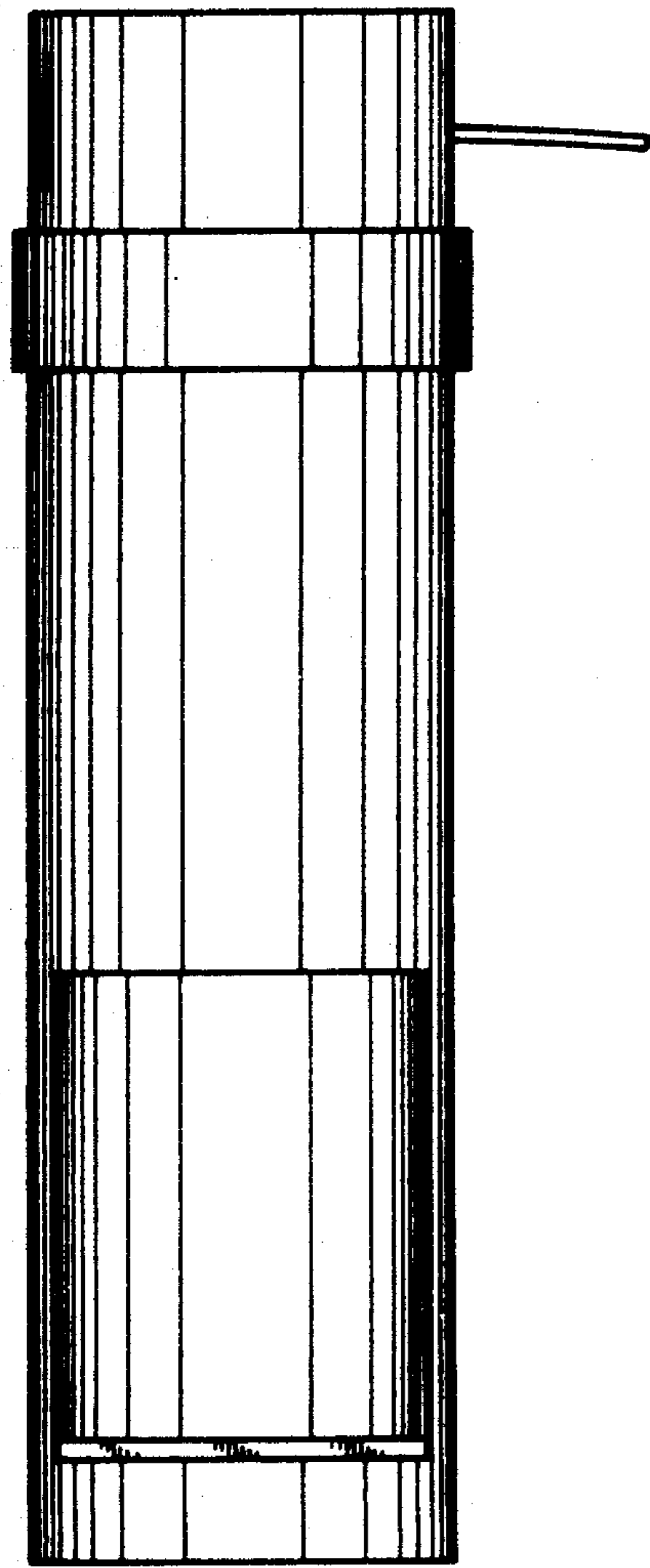


Fig. 3

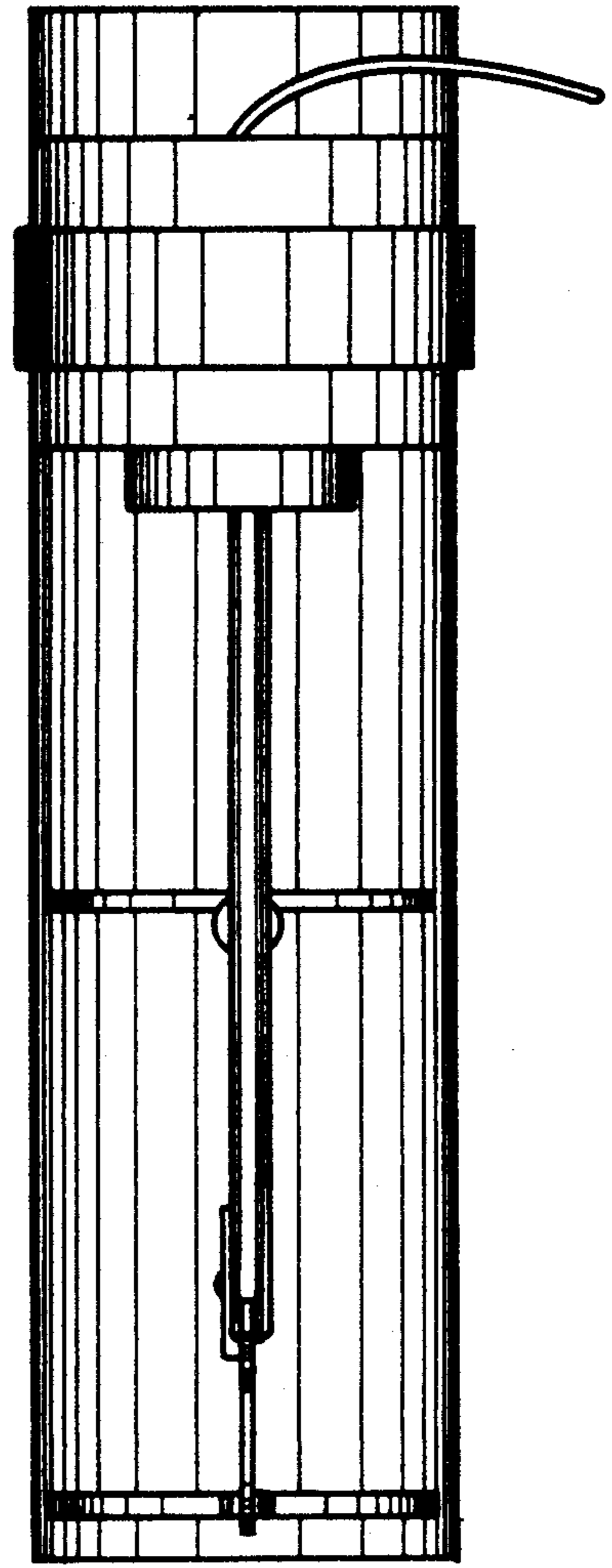


Fig. 4

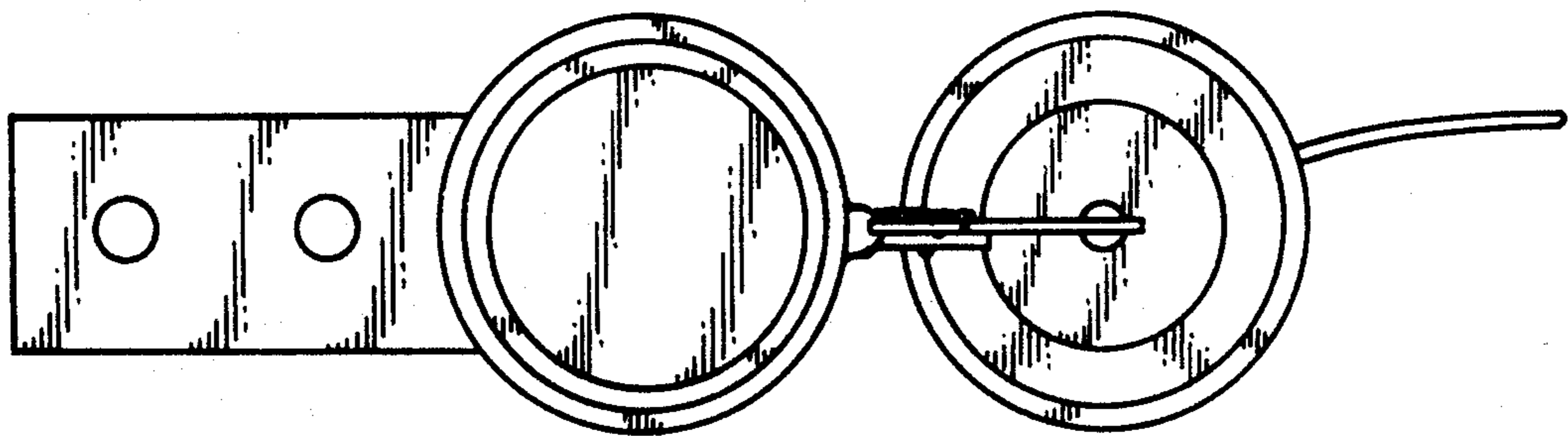


Fig. 5