

[54] **TOY CONSTRUCTION PIECE**

[75] **Inventors: Jan Ryaa, Billund; Ole V. Poulsen, Vejle, both of Denmark**

[73] **Assignee: Interlego A.G., Baar, Switzerland**

[\*\*] **Term: 14 Years**

[21] **Appl. No.: 805,308**

[22] **Filed: Dec. 4, 1985**

[52] **U.S. Cl. .... D21/108**

[58] **Field of Search ..... D21/108; 446/85, 97, 446/99, 104, 105, 106, 107, 108, 109, 110, 117, 118, 120, 121, 122, 124, 126, 127**

[56] **References Cited**

**U.S. PATENT DOCUMENTS**

- D. 73,604 10/1927 Gilbert ..... D21/108
- D. 258,830 4/1981 Sigg ..... D21/108

- 1,779,826 10/1930 Potter ..... D21/108
- 2,095,700 10/1937 Heede ..... 446/107

**FOREIGN PATENT DOCUMENTS**

- 160228 3/1921 United Kingdom ..... 446/121

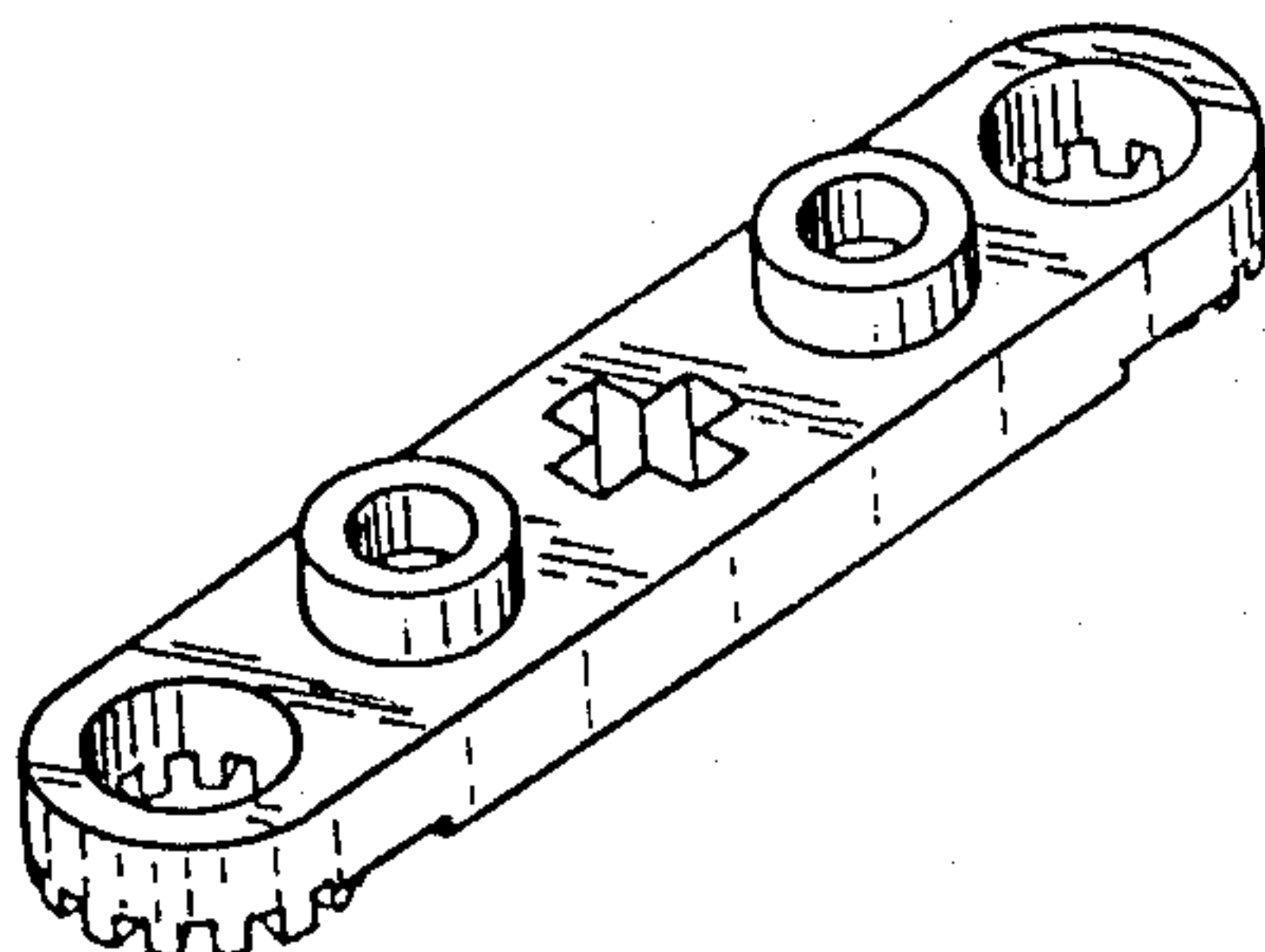
*Primary Examiner*—Charles A. Rademaker  
*Attorney, Agent, or Firm*—Kane, Dalsimer, Kane, Sullivan and Kurucz

[57] **CLAIM**

The ornamental design for a toy construction piece, as shown and described.

**DESCRIPTION**

FIG. 1 is a top perspective view of a toy construction piece showing our new design;  
FIG. 2 is a top plan view thereof;  
FIG. 3 is a side elevational view thereof;  
FIG. 4 is a front elevational view thereof; and  
FIG. 5 is a bottom view thereof.



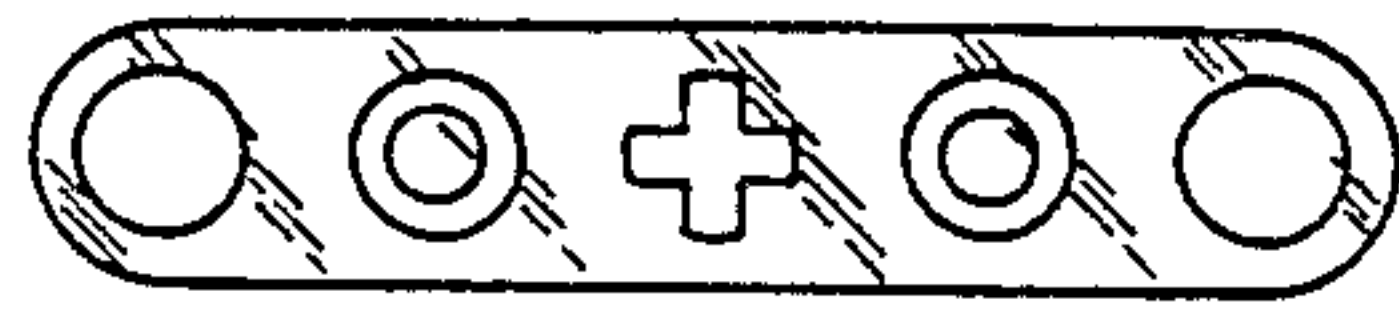


FIG. 2

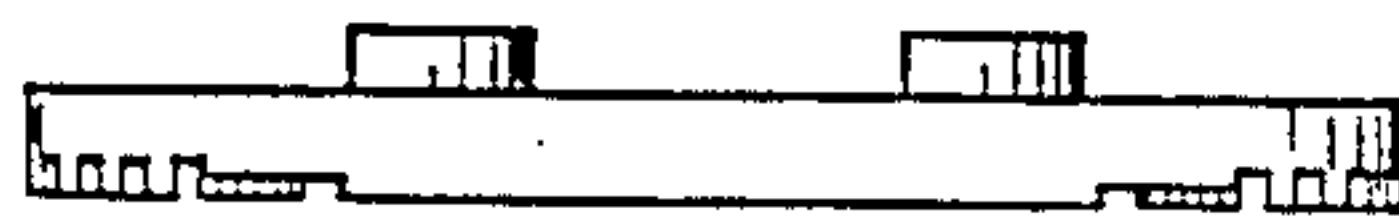


FIG. 3



FIG. 4

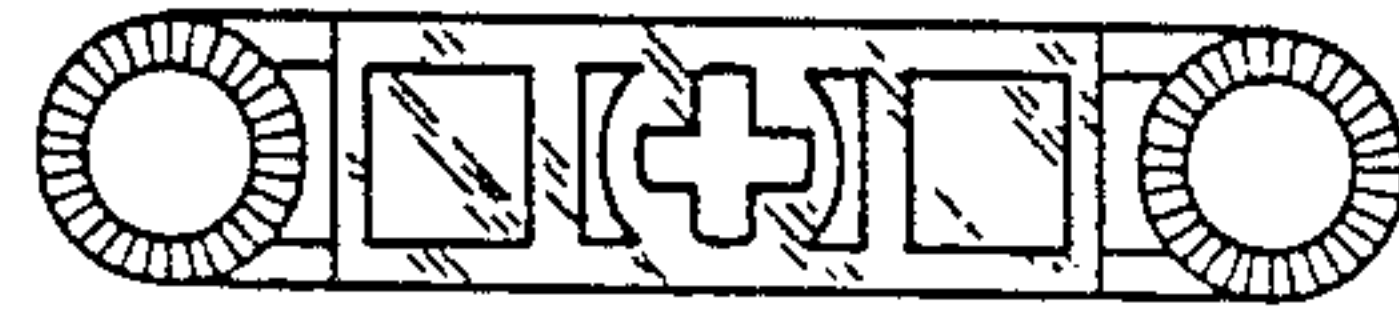


FIG. 5

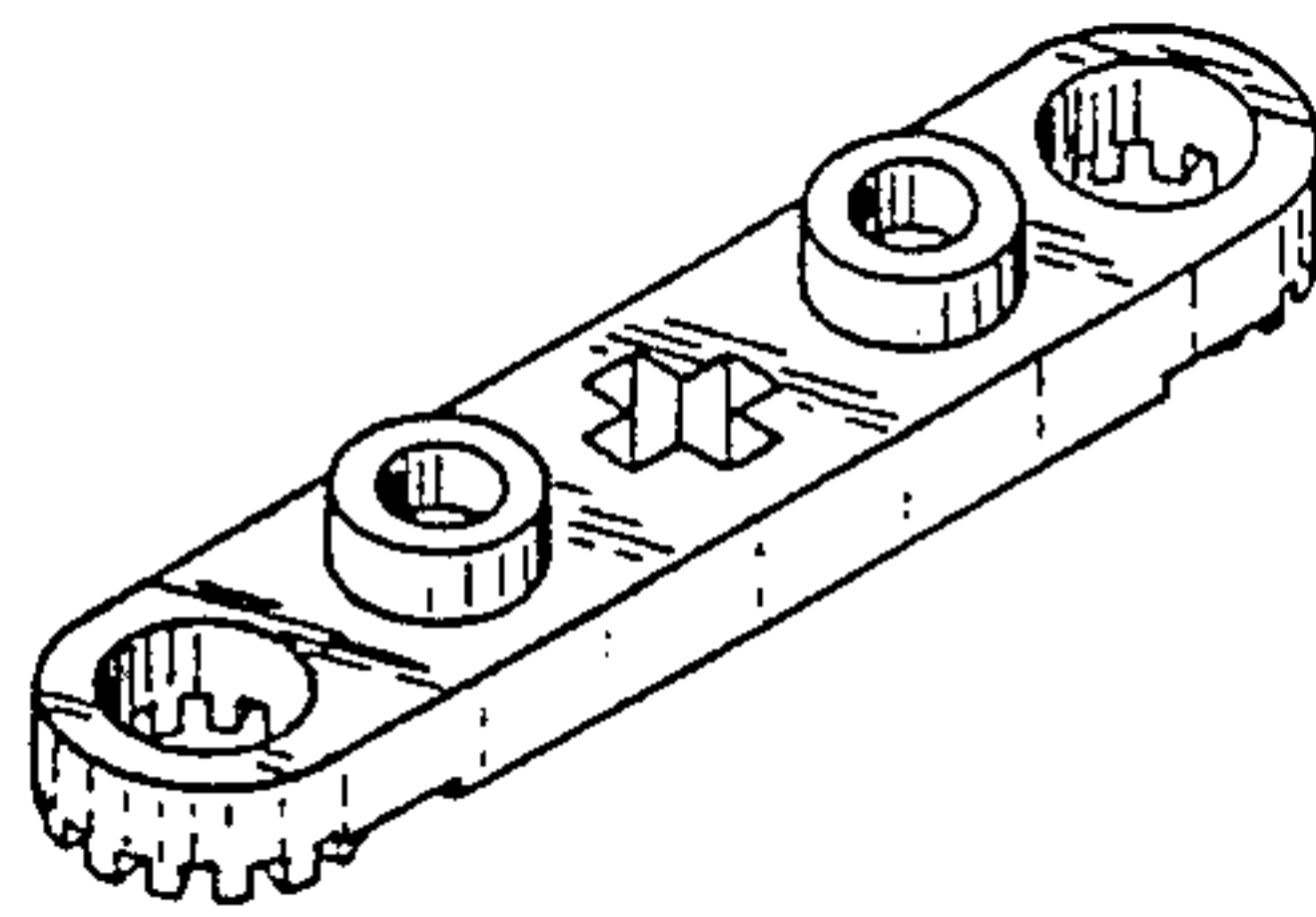


FIG. 1