

[54] PRINTER STAND

[75] Inventor: Thomas W. Judd, Peterborough, N.H.
[73] Assignee: Curtis Manufacturing Company, Inc., Peterborough, N.H.
[**] Term: 14 Years
[21] Appl. No.: 926,408

[22] Filed: Nov. 3, 1986
[52] U.S. Cl. D18/23
[58] Field of Search D18/13, 22, 23; D14/107, 111, 114; 400/689-693; 312/208; D6/449, 462

[56] References Cited

U.S. PATENT DOCUMENTS

D. 286,715 11/1986 Schriener D6/462
4,544,065 10/1985 Mueller 400/691
4,570,802 2/1986 Murphy 400/691

OTHER PUBLICATIONS

Misco Computer Supplies & Accessories, 1/1985, p. 36-Data-Entry Station at top left.

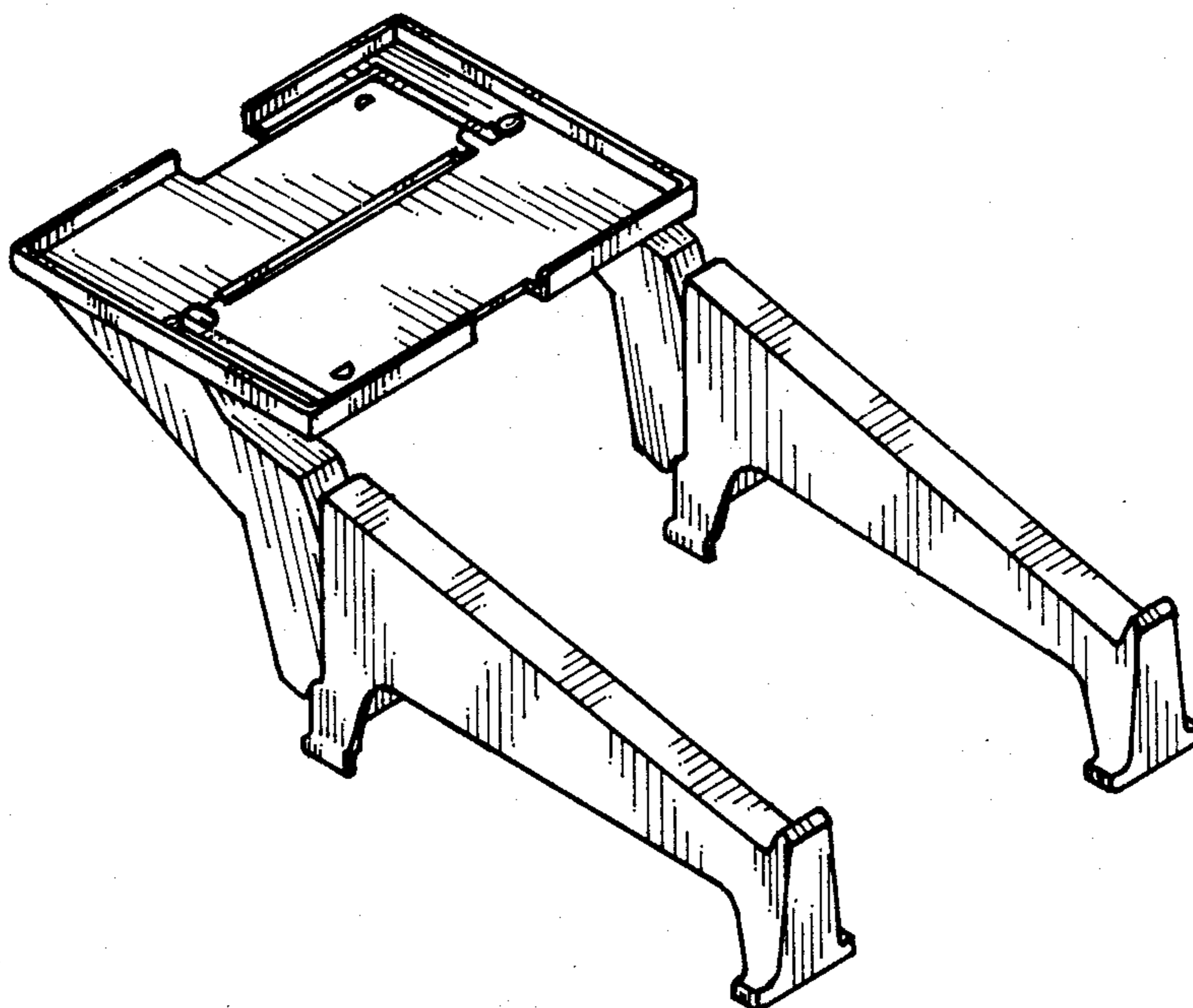
Primary Examiner—Louis S. Zarfaz
Attorney, Agent, or Firm—Richard P. Crowley

[57] CLAIM

The ornamental design for a printer stand, as shown.

DESCRIPTION

FIG. 1 is a perspective view of a printer stand showing my new design;
FIG. 2 is a top plan view of the printer stand of FIG. 1;
FIG. 3 is a side elevational view of the printer stand of FIG. 1, the other side being the same;
FIG. 4 is a bottom plan view of the printer stand of FIG. 1;
FIG. 5 is a front elevational view of the printer stand of FIG. 1;
FIG. 6 is a back elevational view of the printer stand of FIG. 1.



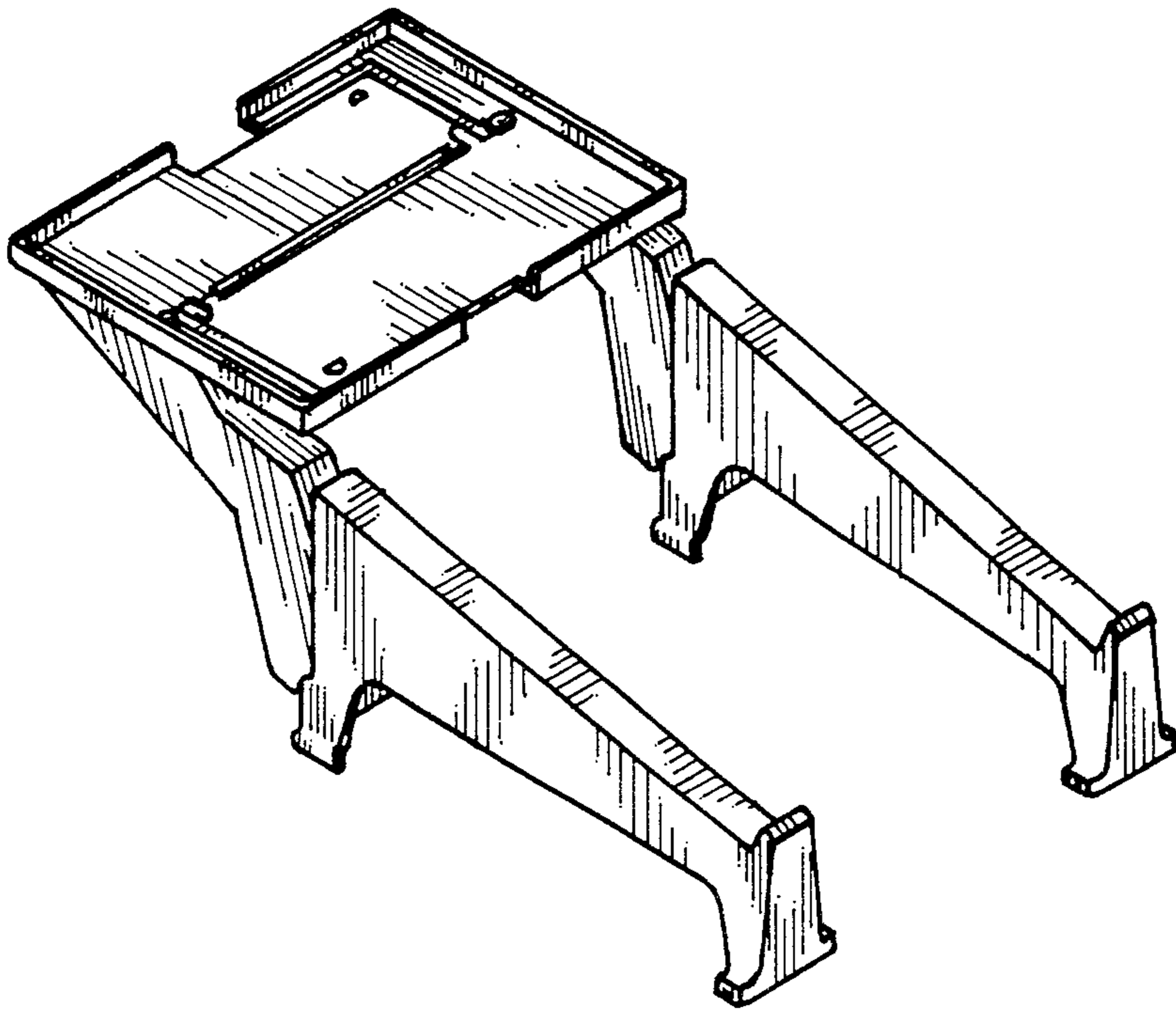


FIG. 1

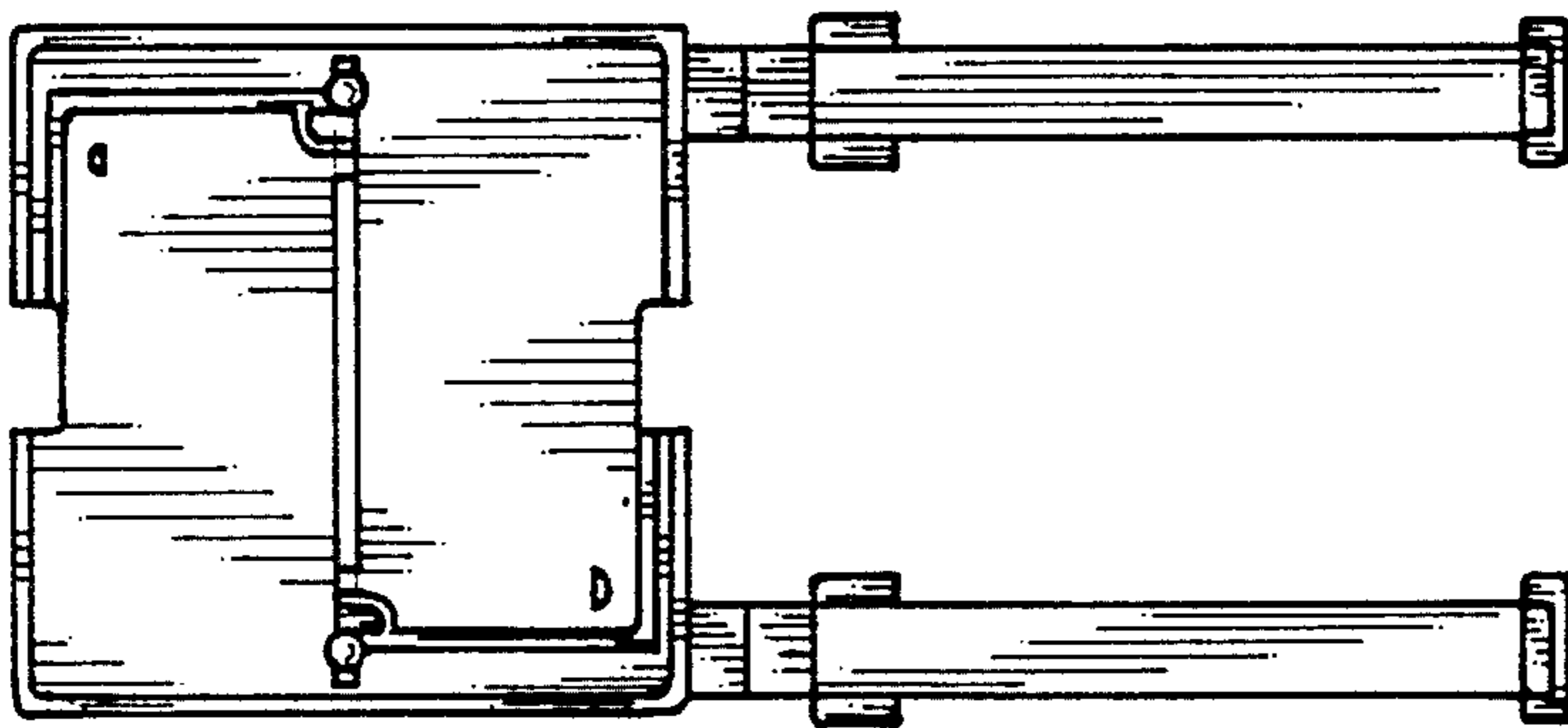


FIG. 2

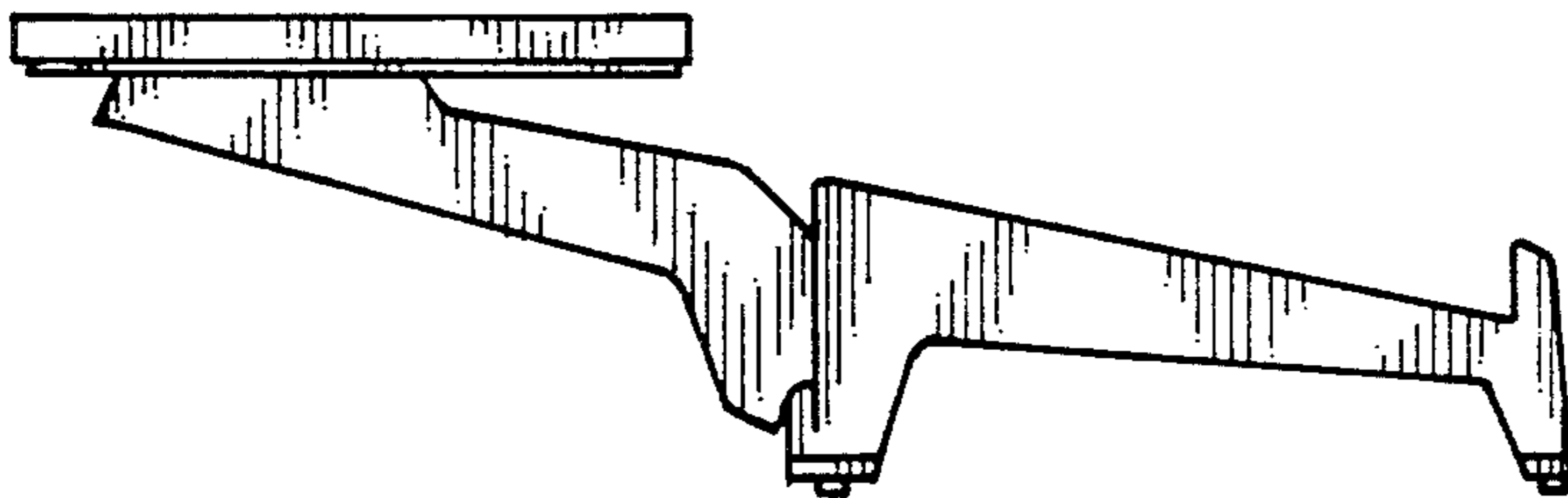


FIG. 3

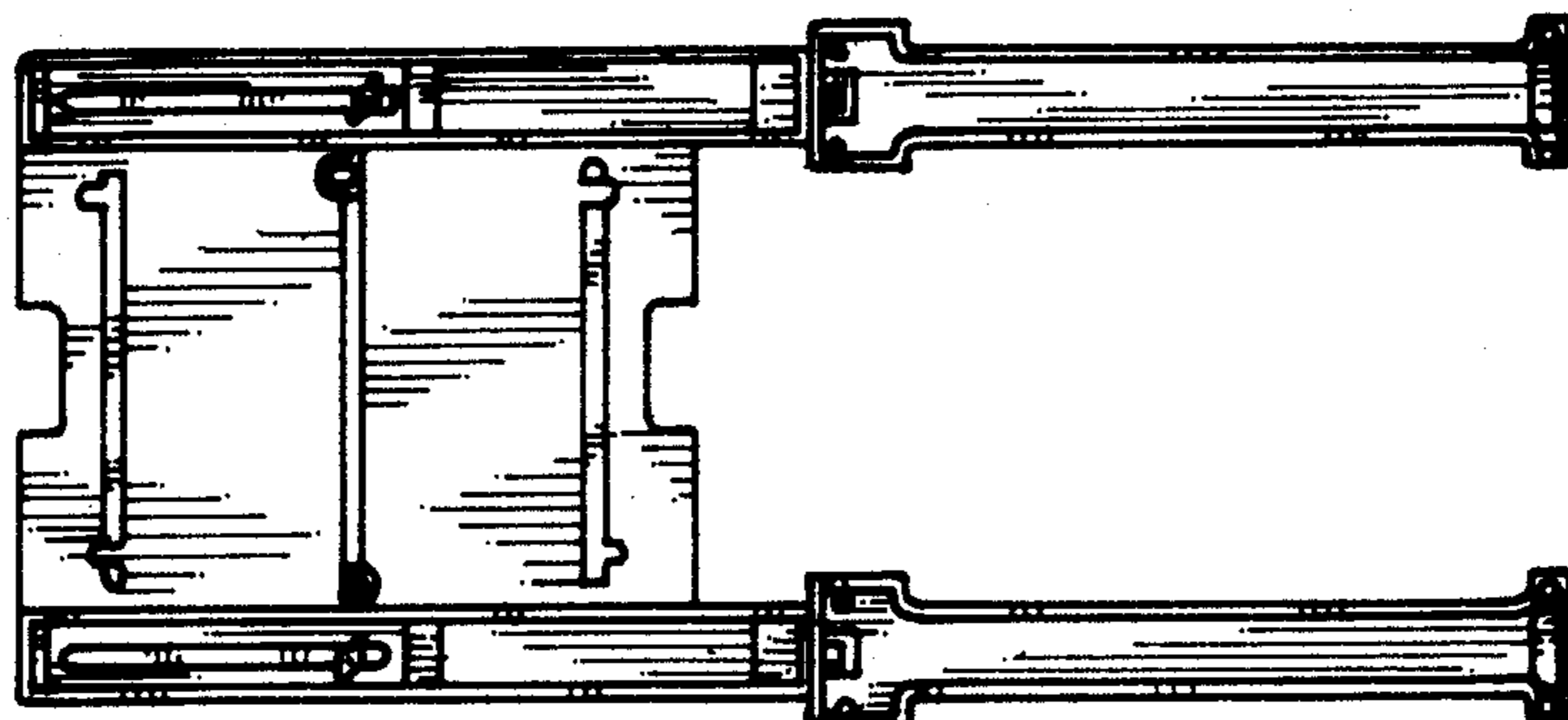


FIG. 4

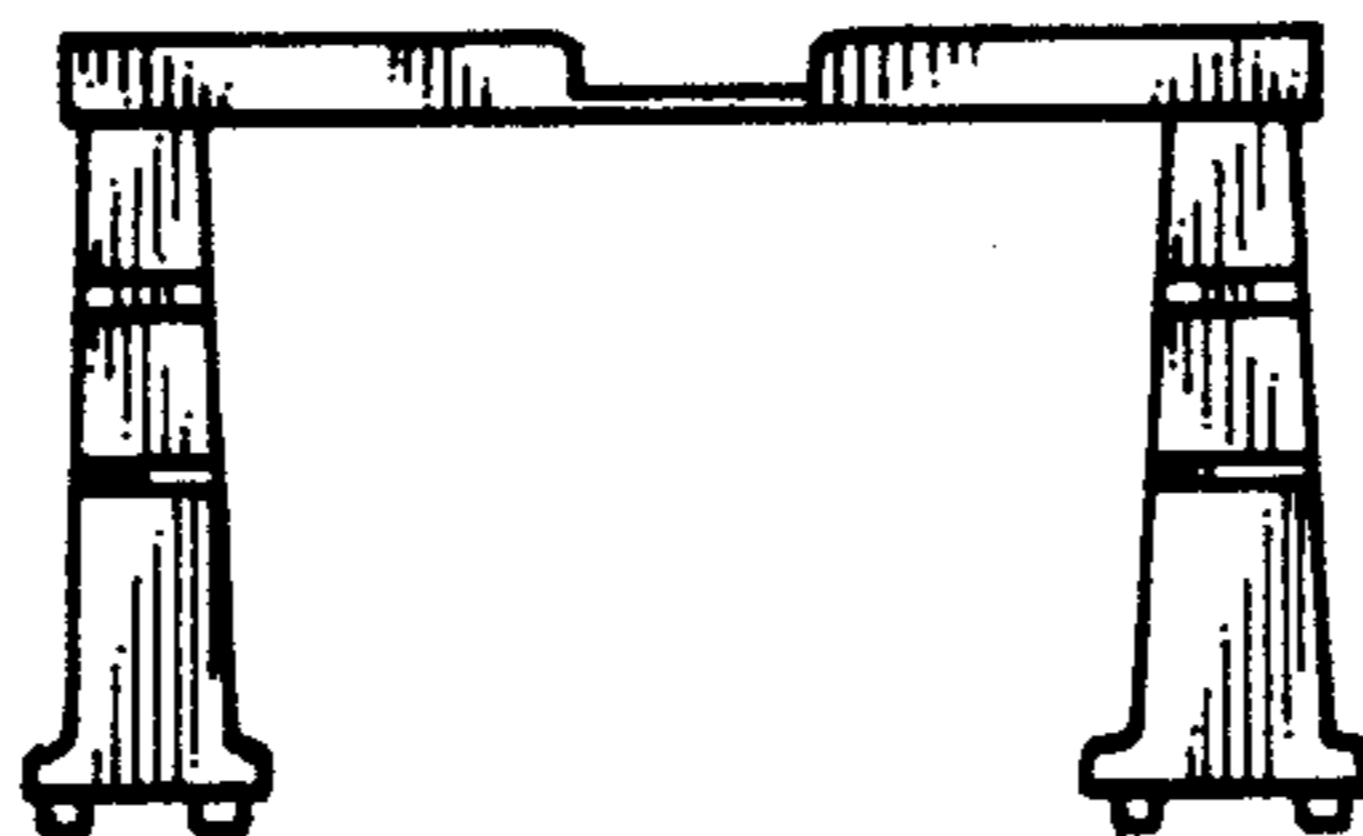


FIG. 5

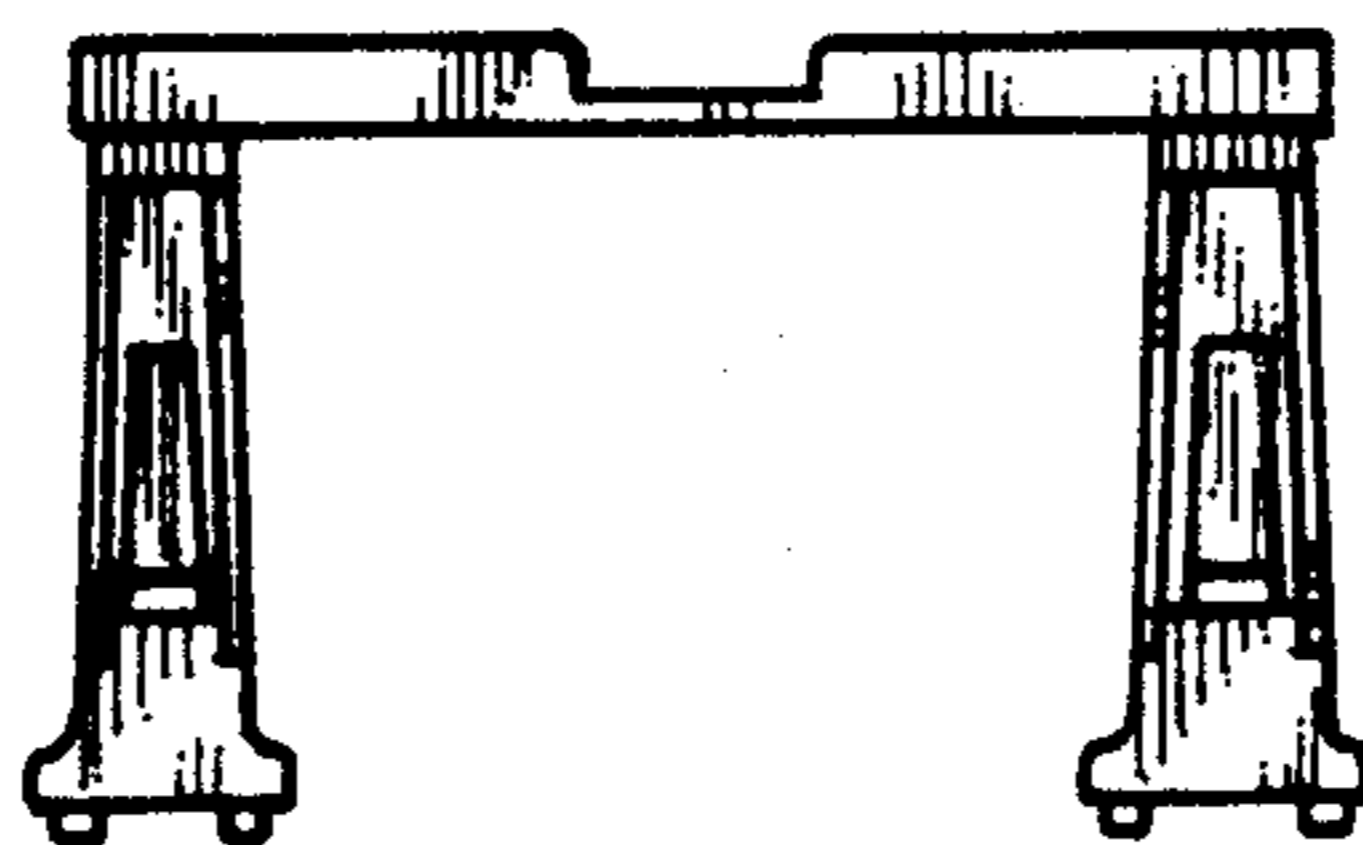


FIG. 6