

[54] INK RIBBON CASSETTE

4,071,132 1/1978 Steinke et al. 400/196 X.

[75] Inventors: Seiichi Omino, Tokyo; Noboru Shimoyama, Yokohama, both of Japan

[73] Assignee: Canon Kabushiki Kaisha, Tokyo, Japan

[**] Term: 14 Years

[21] Appl. No.: 745,224

[22] Filed: Jun. 17, 1985

[30] Foreign Application Priority Data

Dec. 20, 1984 [JP] Japan 59-52575
[52] U.S. Cl. D18/12
[58] Field of Search D18/1, 2, 12, 22; D14/11, 114; 400/196, 196.1, 144.2, 144.3, 207, 208, 208.1; 242/55.19 A, 197-200

[56] References Cited

U.S. PATENT DOCUMENTS

D. 244,965 7/1977 Trezise et al. D18/12
D. 261,277 10/1981 Hashimoto et al. D18/12

OTHER PUBLICATIONS

Office Products Dealer, 2/1980, p. 95-Ribbon Cartridge at top right center.

Primary Examiner—Louis S. Zarfes
Attorney, Agent, or Firm—Fitzpatrick, Cella, Harper & Scinto

[57] CLAIM

The ornamental design for a ink ribbon cassette, as shown and described.

DESCRIPTION

FIG. 1 is a front elevational view of an ink ribbon cassette showing our new design;
FIG. 2 is a rear elevational view thereof;
FIG. 3 is a top plan view thereof;
FIG. 4 is a bottom plan view thereof;
FIG. 5 is a side elevational view as seen from the left of FIG. 1;
FIG. 6 is a side elevational view as seen from the right of FIG. 1 and
FIG. 7 is a perspective view of the ink ribbon cassette.

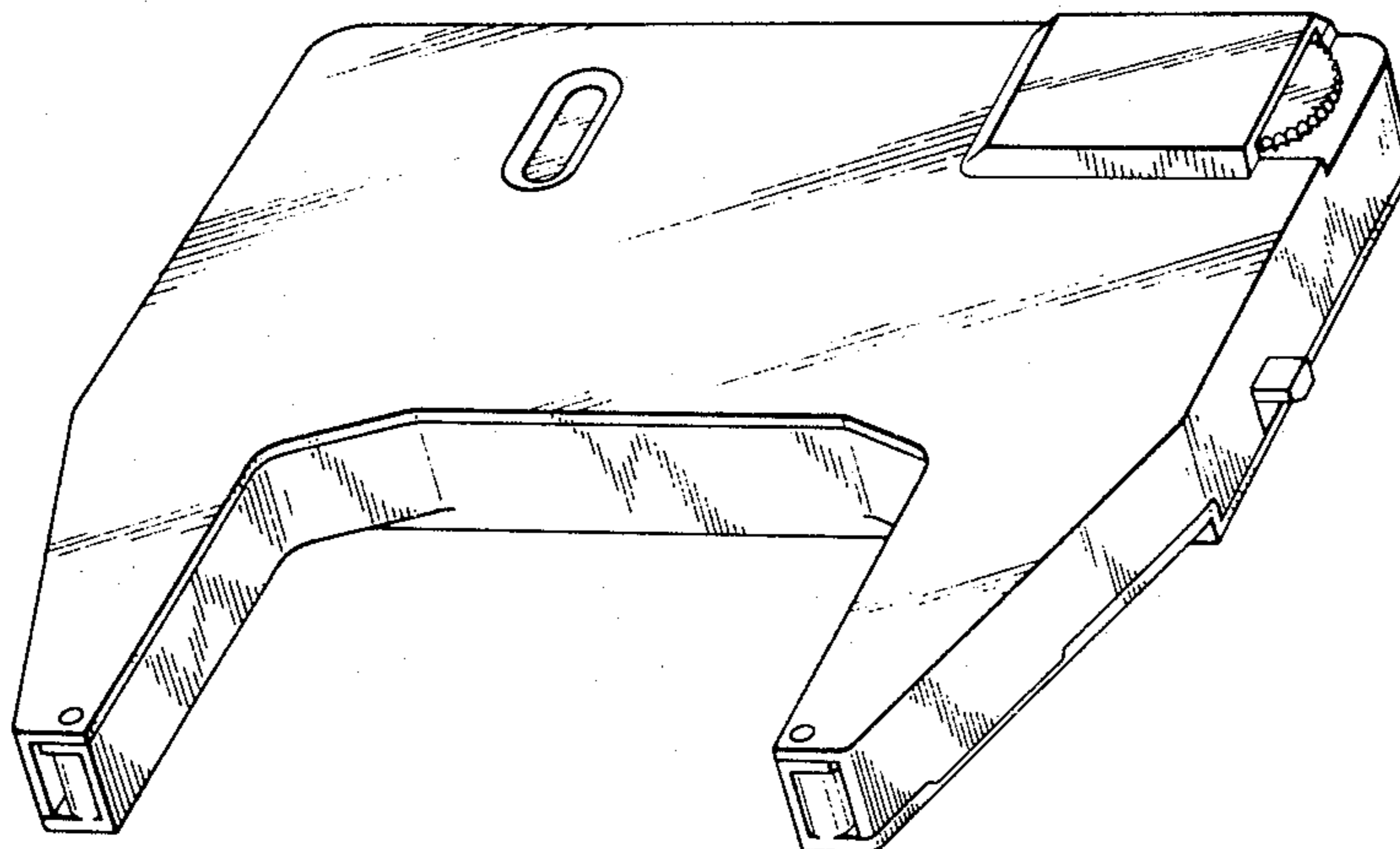


FIG. 1



FIG. 2

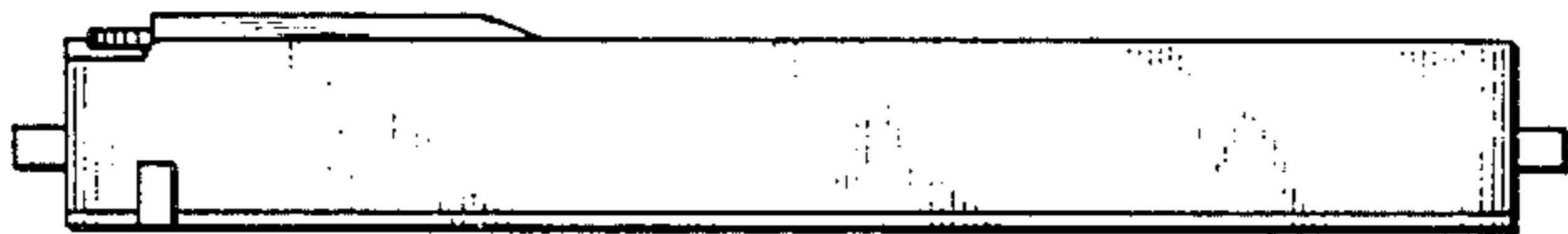


FIG. 3

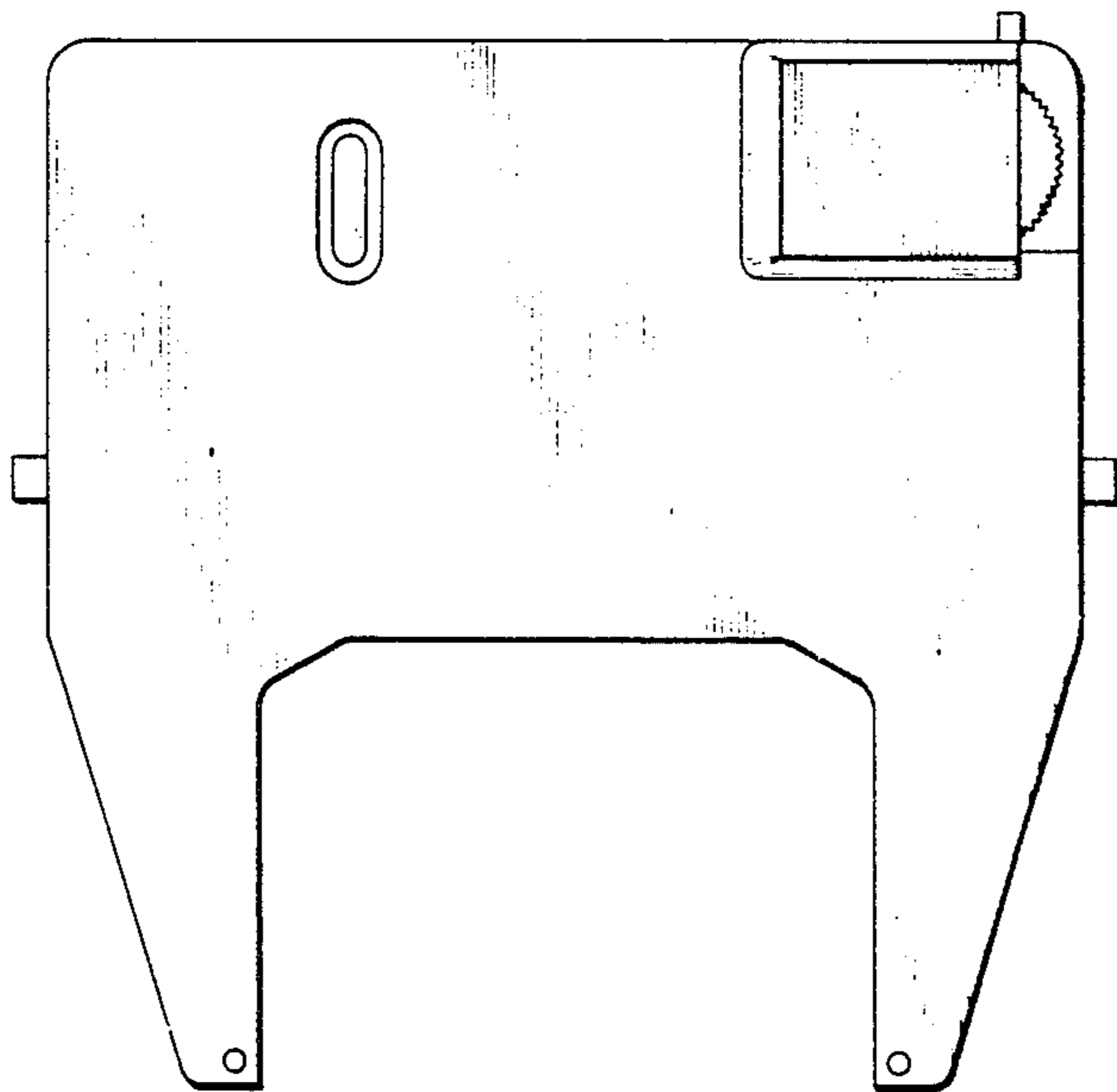


FIG. 4

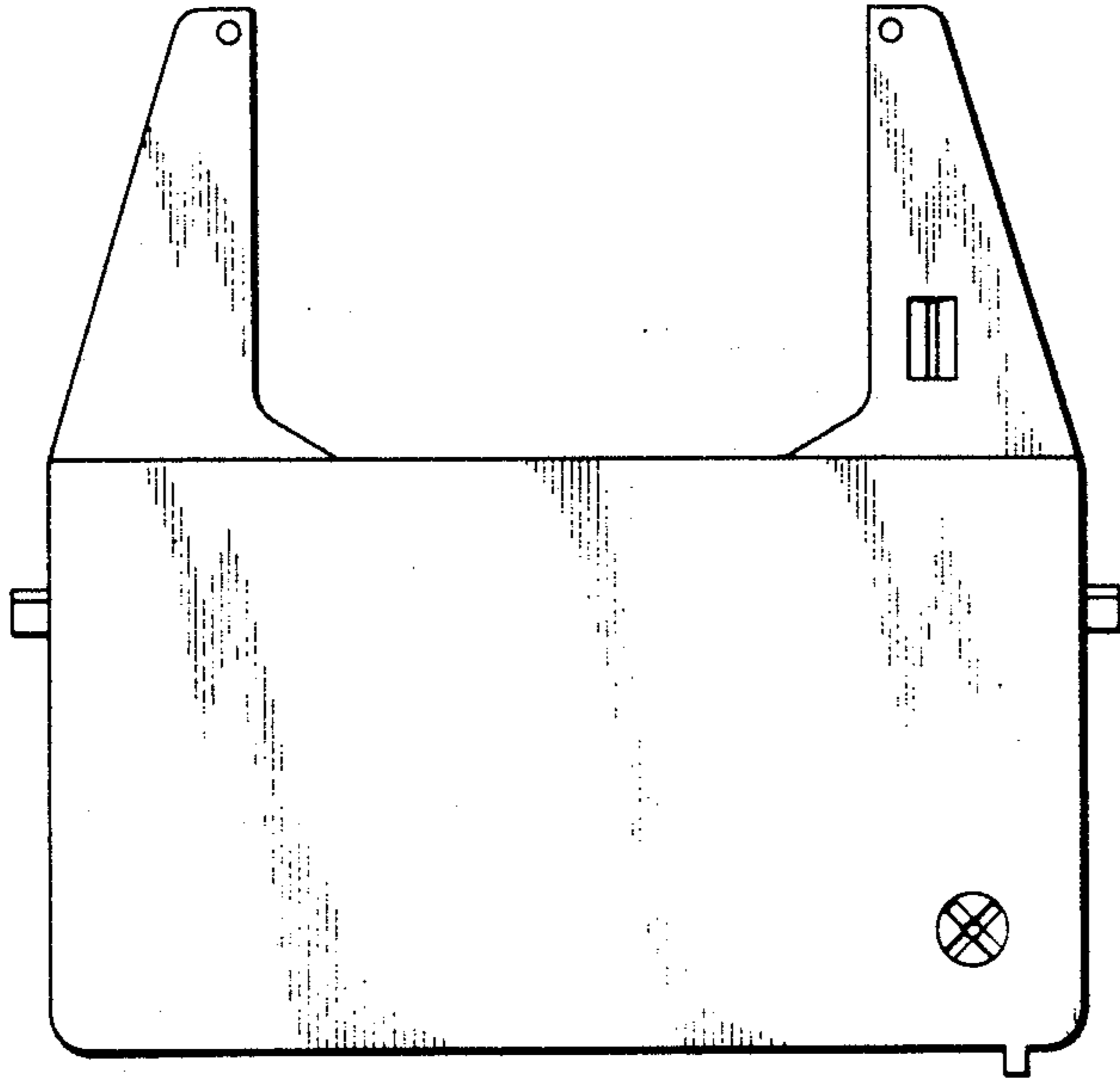


FIG. 5

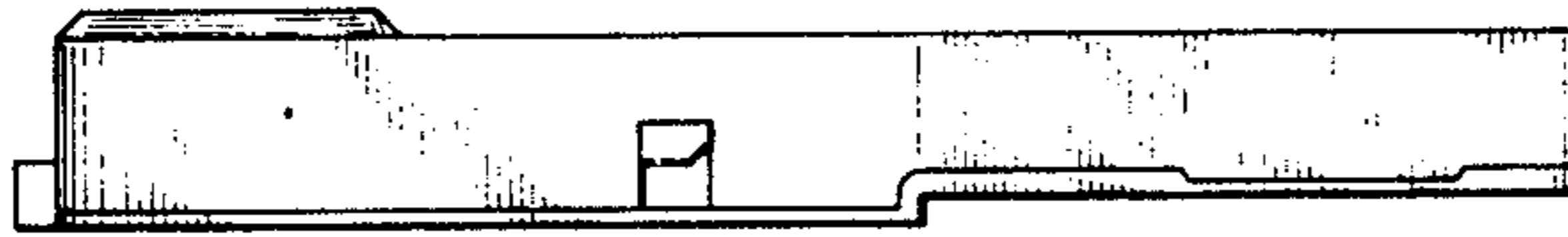


FIG. 6



FIG. 7

