

[54] COMBINED TYPEWRITER AND GRAPHMAKER

[75] Inventors: Isshin Miyamoto; Yasuo Nagamatsu; Toshiya Moriyama; Masaharu Sakamoto, all of Fukuoka, Japan

[73] Assignee: Matsushita Electric Industrial Co., Ltd., Osaka, Japan

[\*\*] Term: 14 Years

[21] Appl. No.: 694,736

[22] Filed: Jan. 25, 1985

[30] Foreign Application Priority Data

Jul. 30, 1984 [JP] Japan ..... 59-32297

[52] U.S. Cl. .... D18/1

[58] Field of Search ..... D18/1, 2, 12; 400/689-694

[56] References Cited

U.S. PATENT DOCUMENTS

- D. 159,977 9/1950 Gordenier ..... D18/1
- D. 278,404 4/1985 Morishita ..... D18/1
- D. 282,374 1/1986 Maekawa et al. .... D18/1
- D. 282,551 2/1986 Nibley et al. .... D18/1

Primary Examiner—Louis S. Zarfaz  
Attorney, Agent, or Firm—Sughrue, Mion, Zinn, Macpeak and Seas

[57] CLAIM

The ornamental design for a combined typewriter and graphmaker, as shown and described.

DESCRIPTION

FIG. 1 is a perspective view of the front, top and one side of a combined typewriter and graphmaker showing our new design with the cover closed;  
FIG. 2 is a perspective view showing the bottom, rear and opposite side thereof; and  
FIG. 3 is a perspective view similar to FIG. 1 with the cover open.

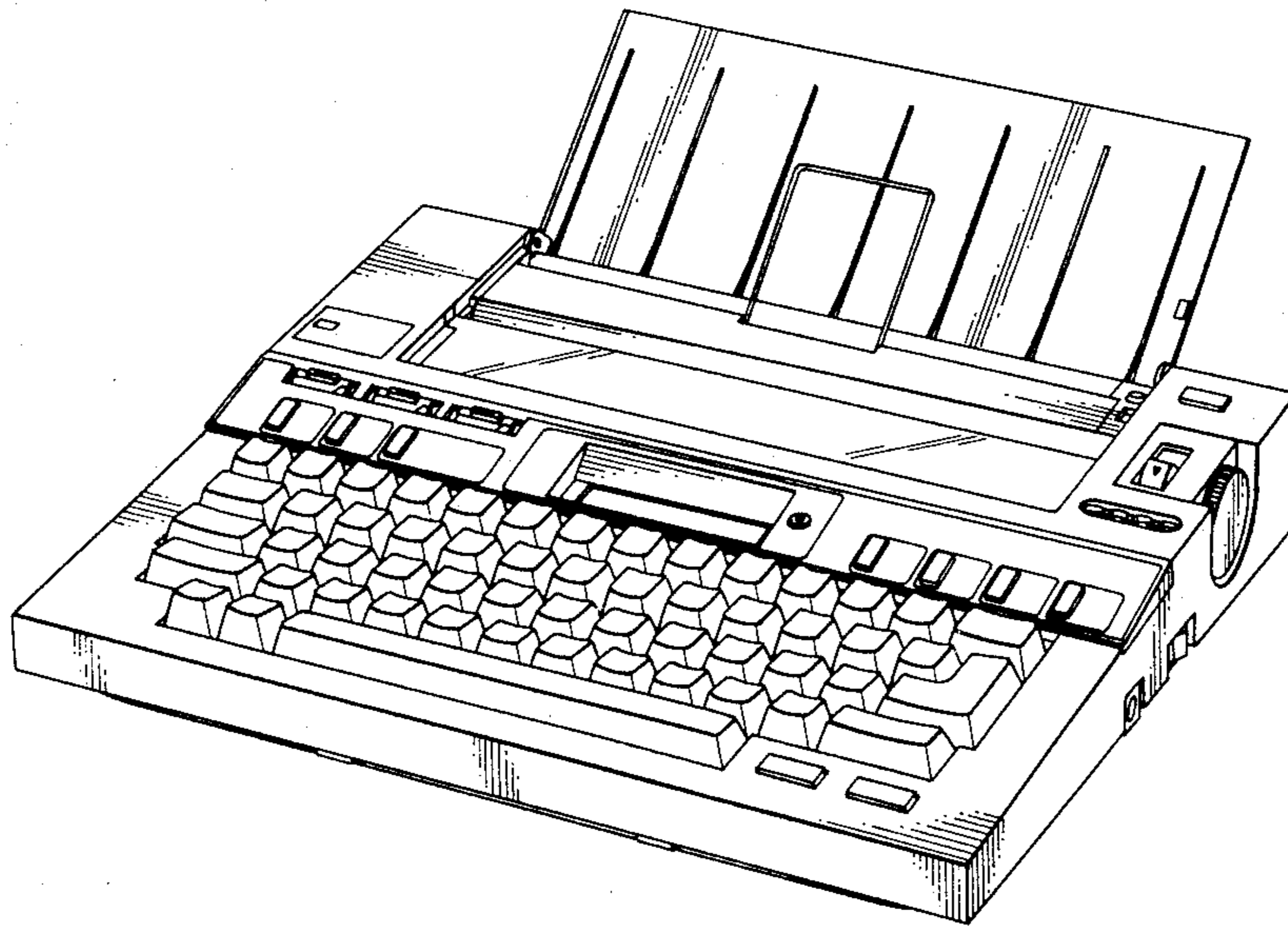


Fig. 1

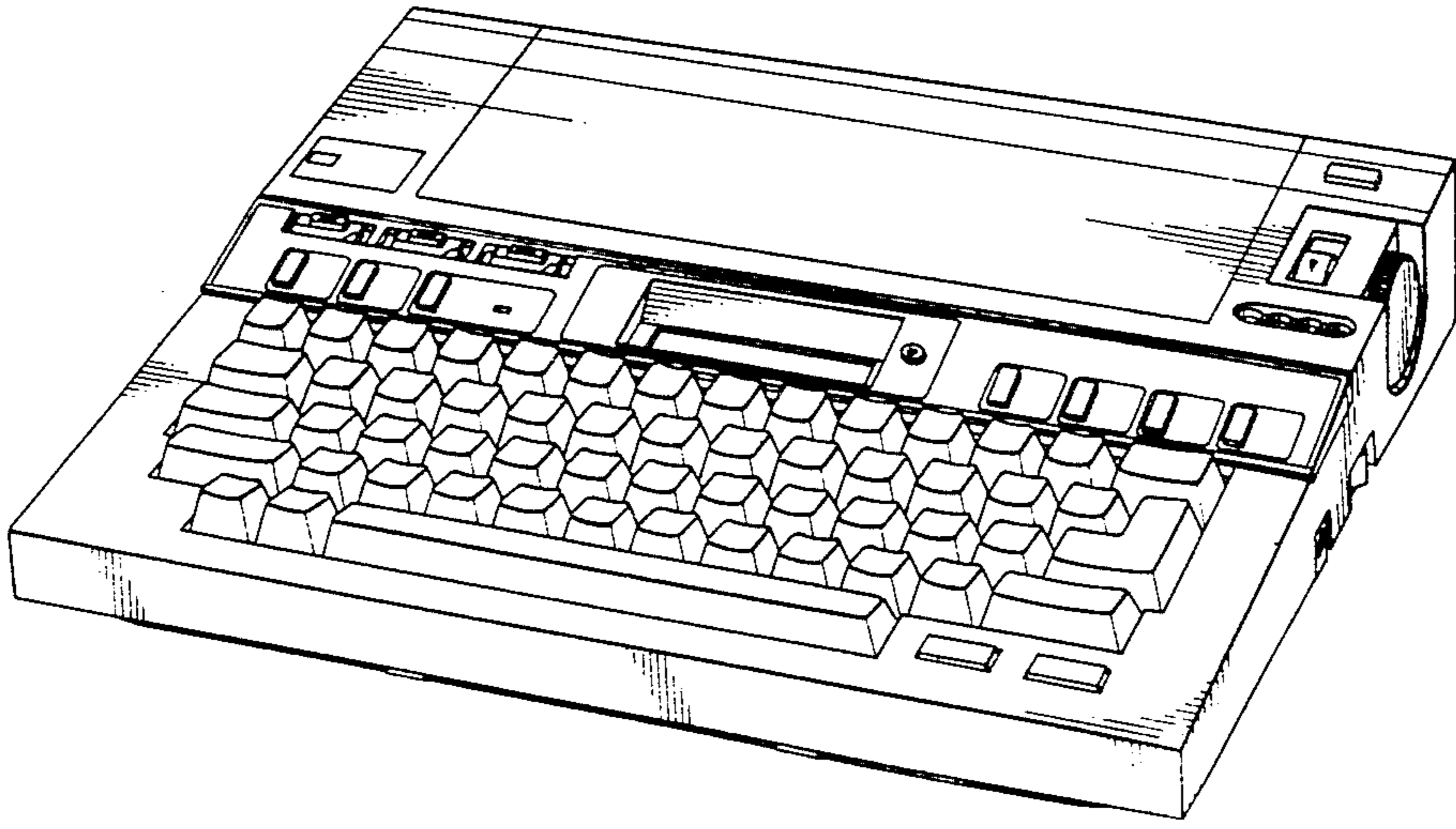


Fig. 2

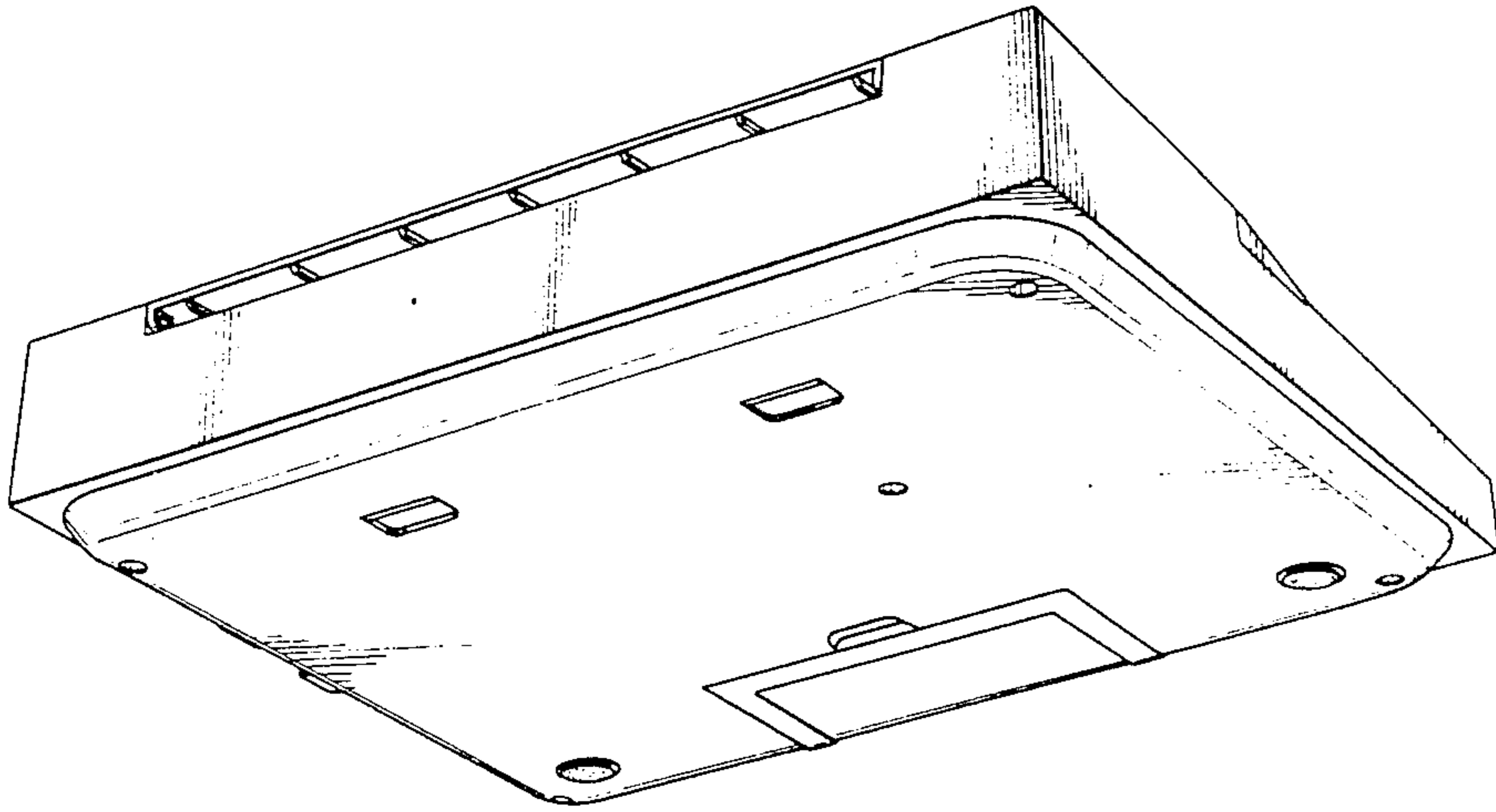


Fig. 3

