

[54] CAMERA

[75] Inventor: Tom Y. Shis, Taipei, Taiwan

[73] Assignee: Wizen Industry Co., Ltd., Taipei, Taiwan

[**] Term: 14 Years

[21] Appl. No.: 650,054

[22] Filed: Sep. 13, 1984

[52] U.S. Cl. D16/6

[58] Field of Search D16/1-10;
354/81-82, 126, 127.1, 127.11, 149.11, 202, 288

[56] References Cited

U.S. PATENT DOCUMENTS

D. 154,985	8/1949	Bouchetal	D16/9
D. 221,025	6/1971	Fakuda	D16/6
D. 229,977	1/1974	Nakanishi	D16/1
D. 271,880	12/1983	Agou	D16/1
D. 271,881	12/1983	Kato	D16/6
D. 280,204	8/1985	Soda	D16/8
D. 284,579	7/1986	Io	D16/6

D. 285,449	9/1986	Soda	D16/6
4,589,747	5/1986	Nakayama	354/187 X

FOREIGN PATENT DOCUMENTS

0173822	10/1982	Japan	354/288
---------	---------	-------	-------	---------

OTHER PUBLICATIONS

Richoh (FF 3D AF Camera) Japanese Flyer 1983—Camera at bottom-right.

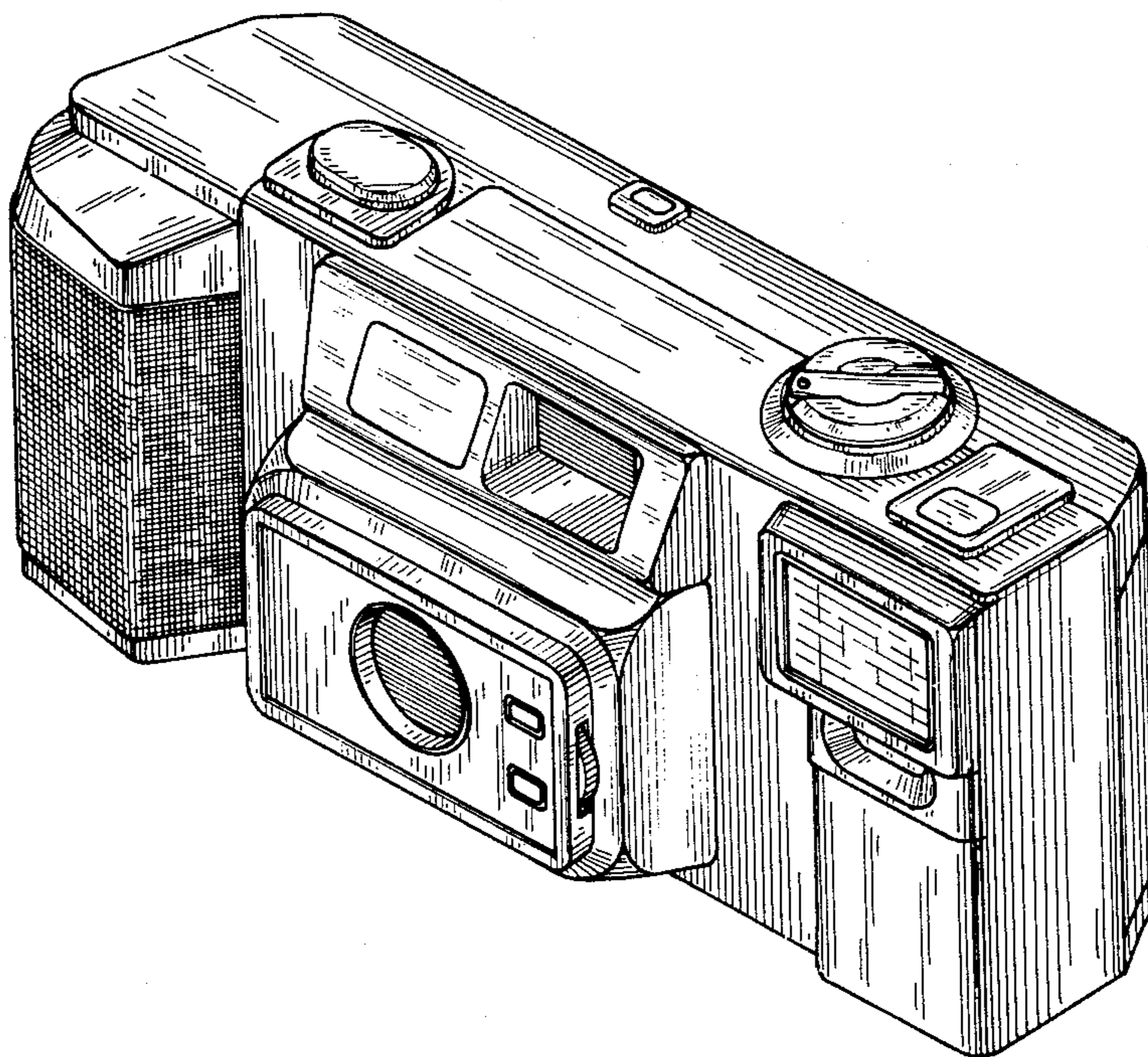
Primary Examiner—Nelson C. Holtje

[57] CLAIM

The ornamental design for a camera, as shown.

DESCRIPTION

FIG. 1 is a perspective view of a camera showing my new design;
 FIG. 2 is a front elevational view thereof;
 FIG. 3 is a rear elevational view thereof;
 FIG. 4 is a left side elevational view thereof;
 FIG. 5 is a right side elevational view thereof;
 FIG. 6 is a top plan view thereof; and
 FIG. 7 is a bottom plan view thereof.



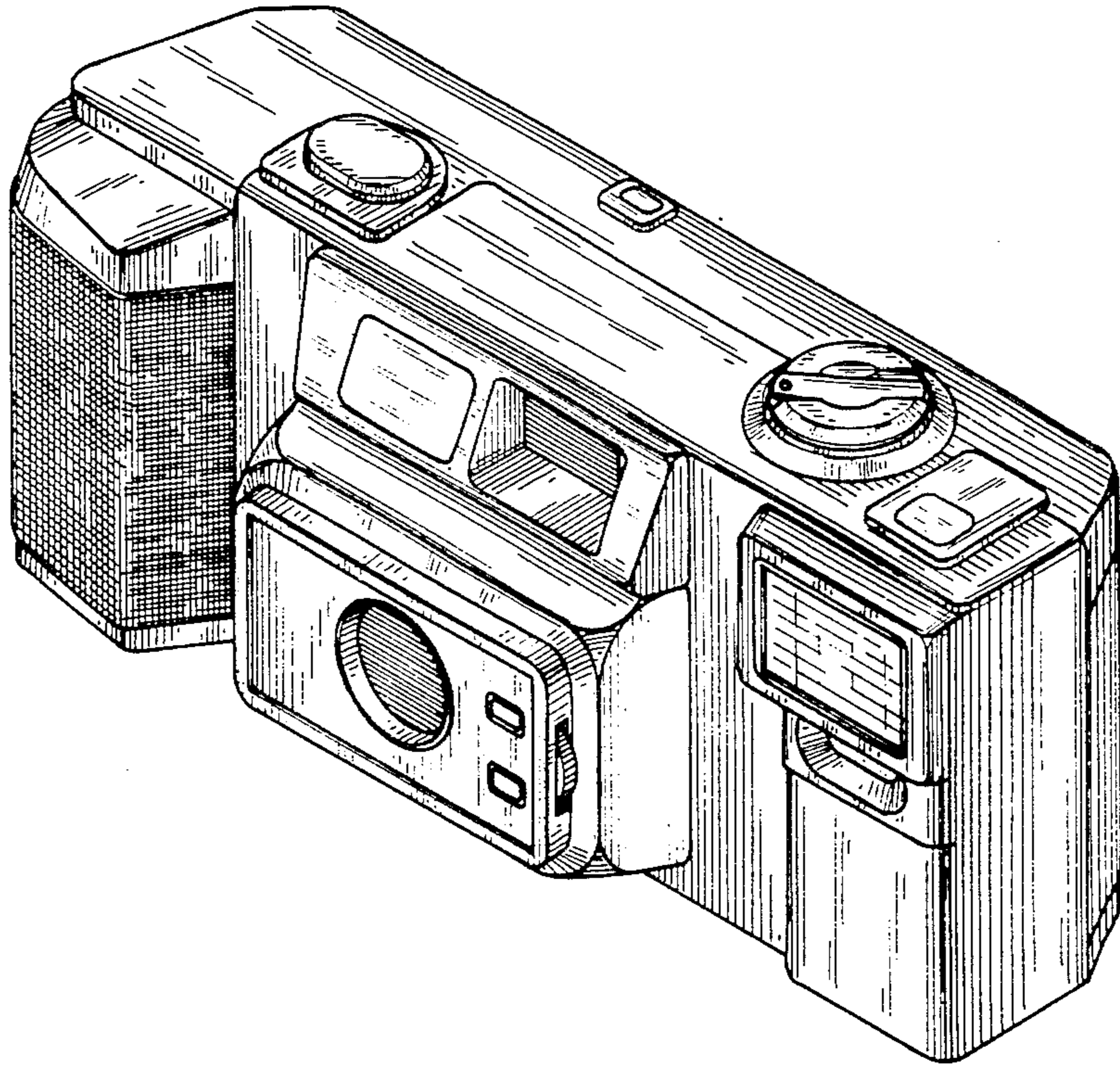


FIG. 1

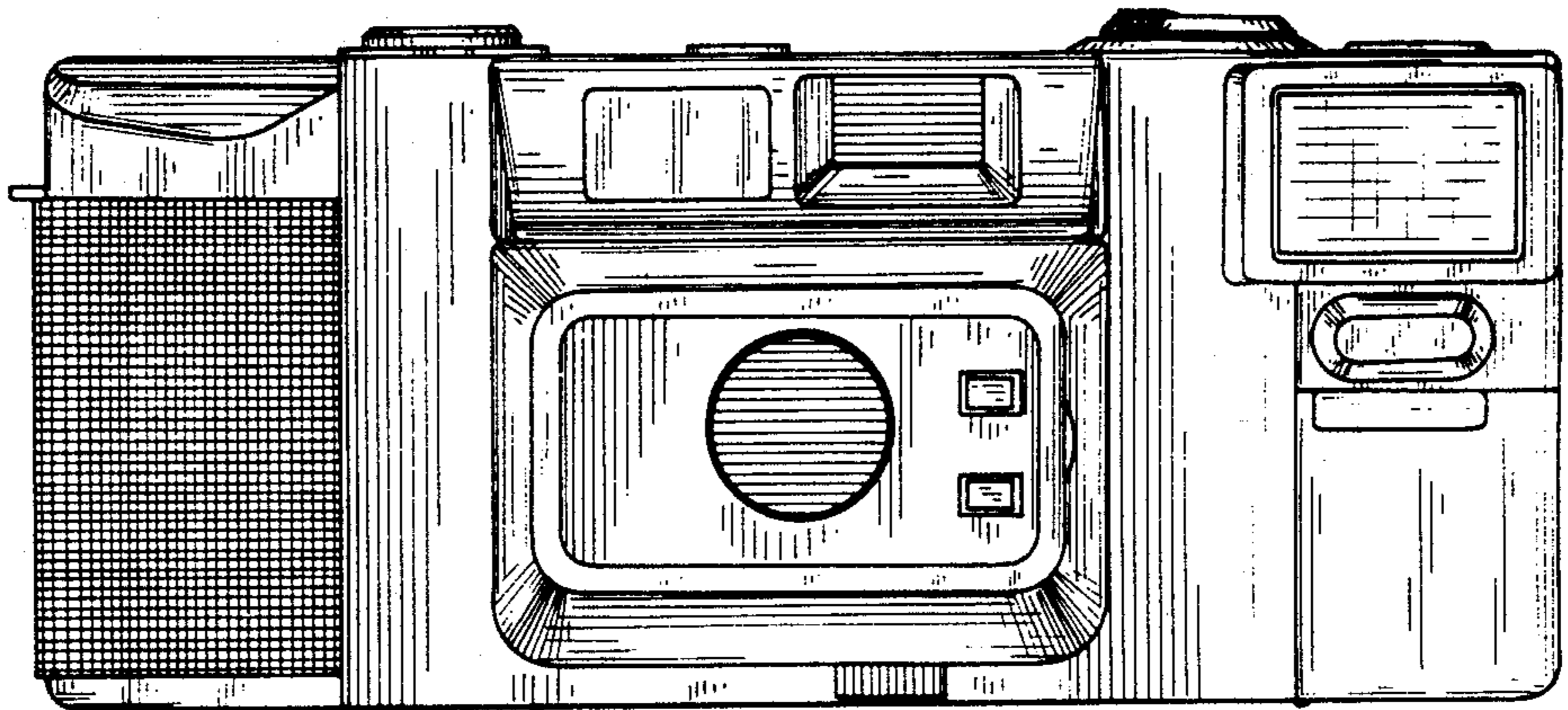


FIG. 2

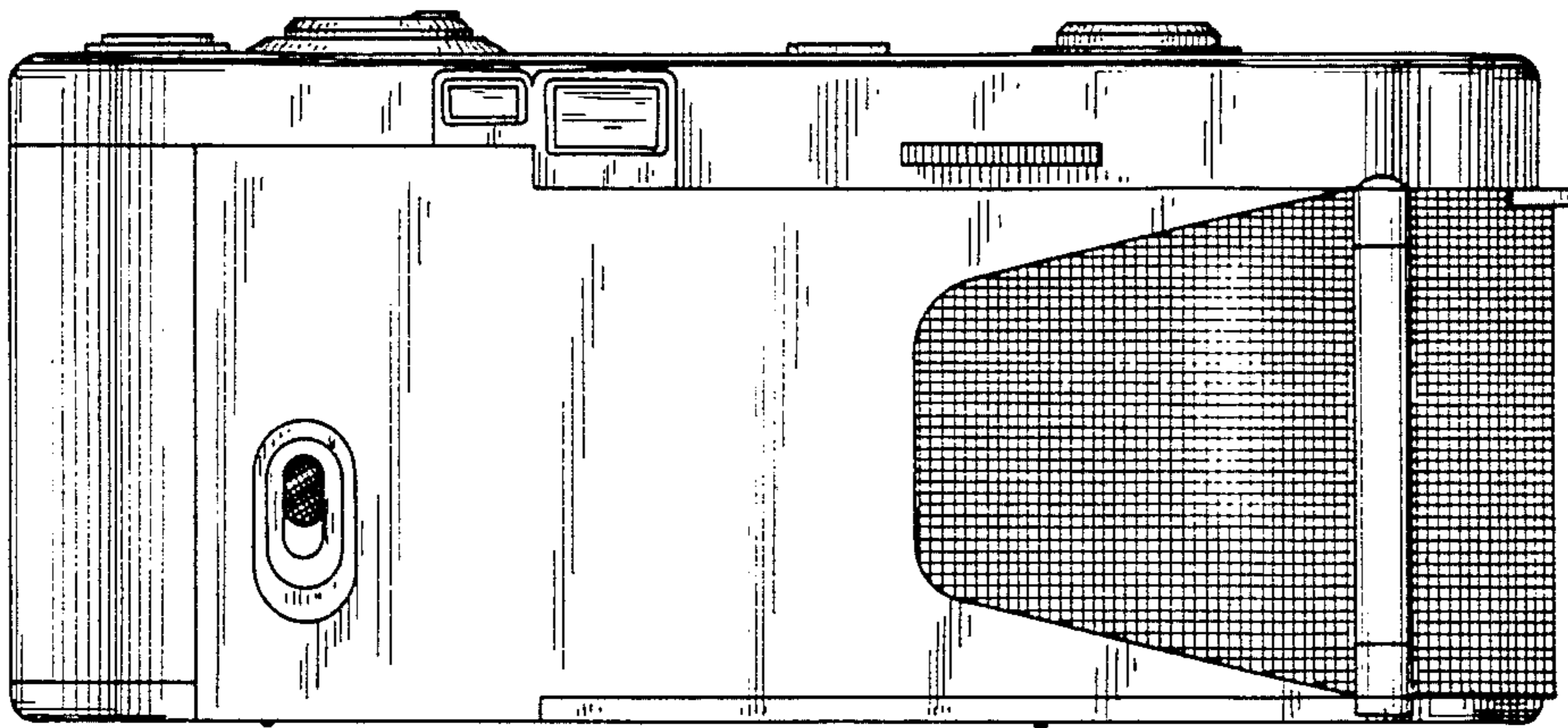


FIG. 3

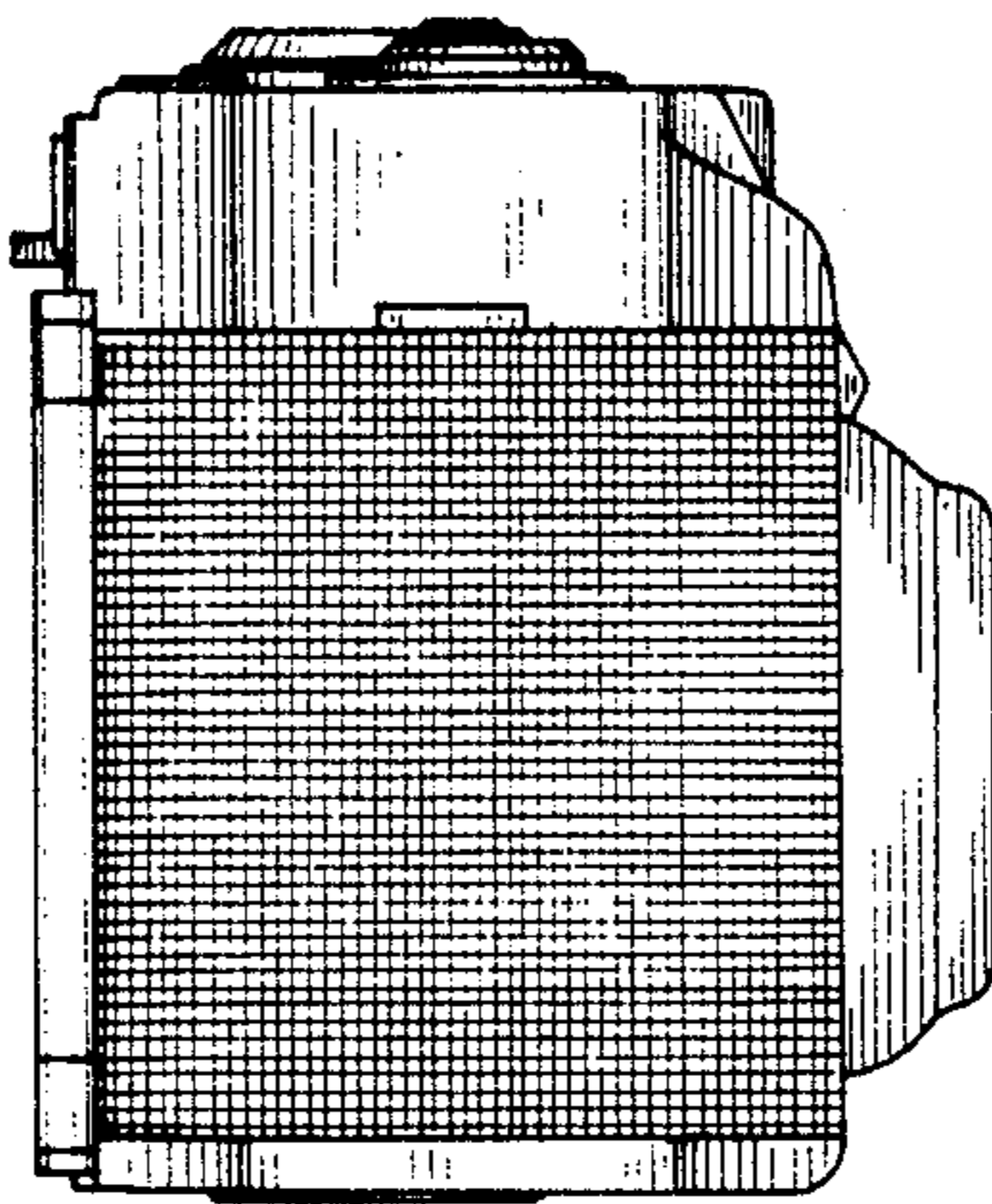


FIG. 4

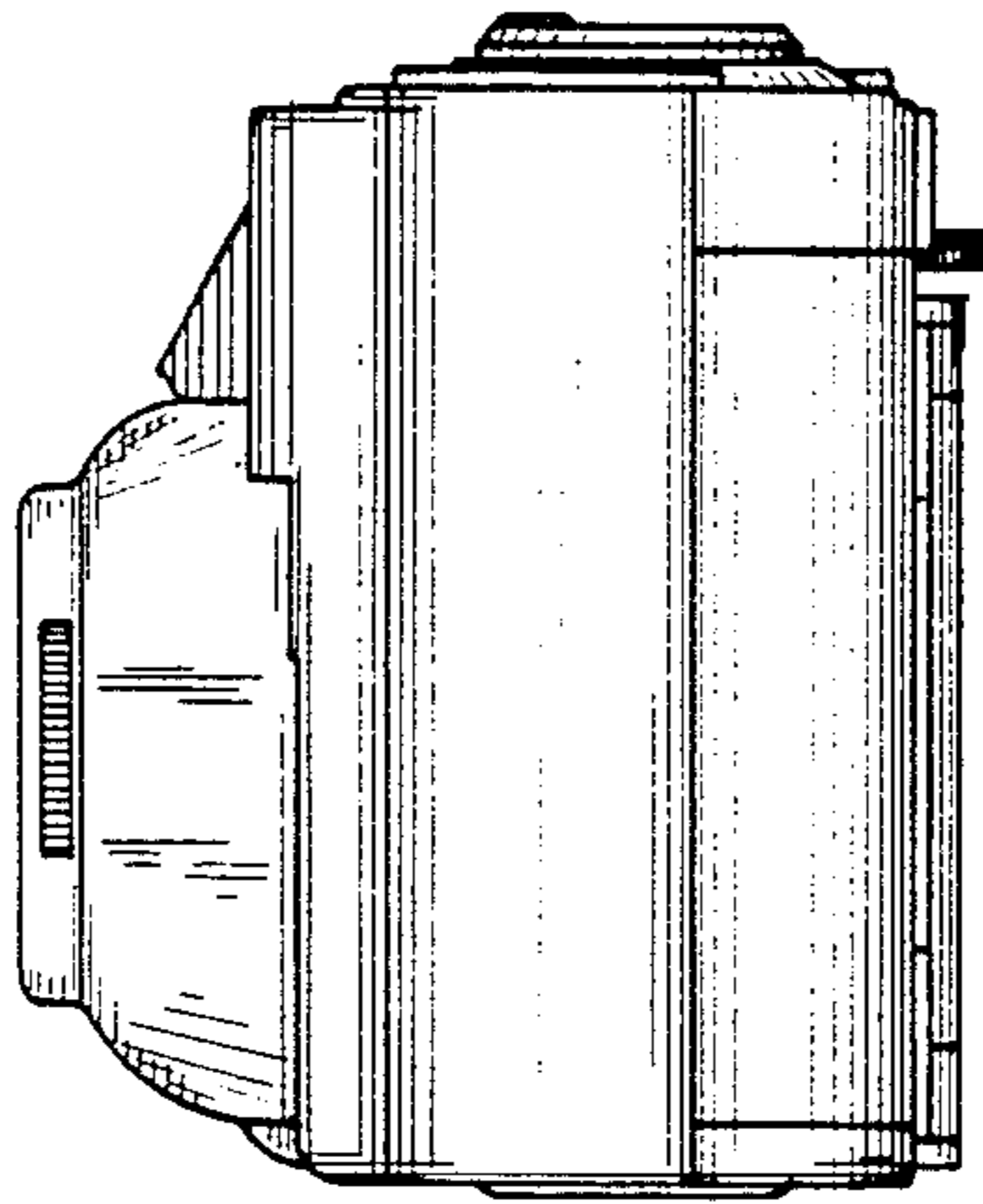


FIG. 5

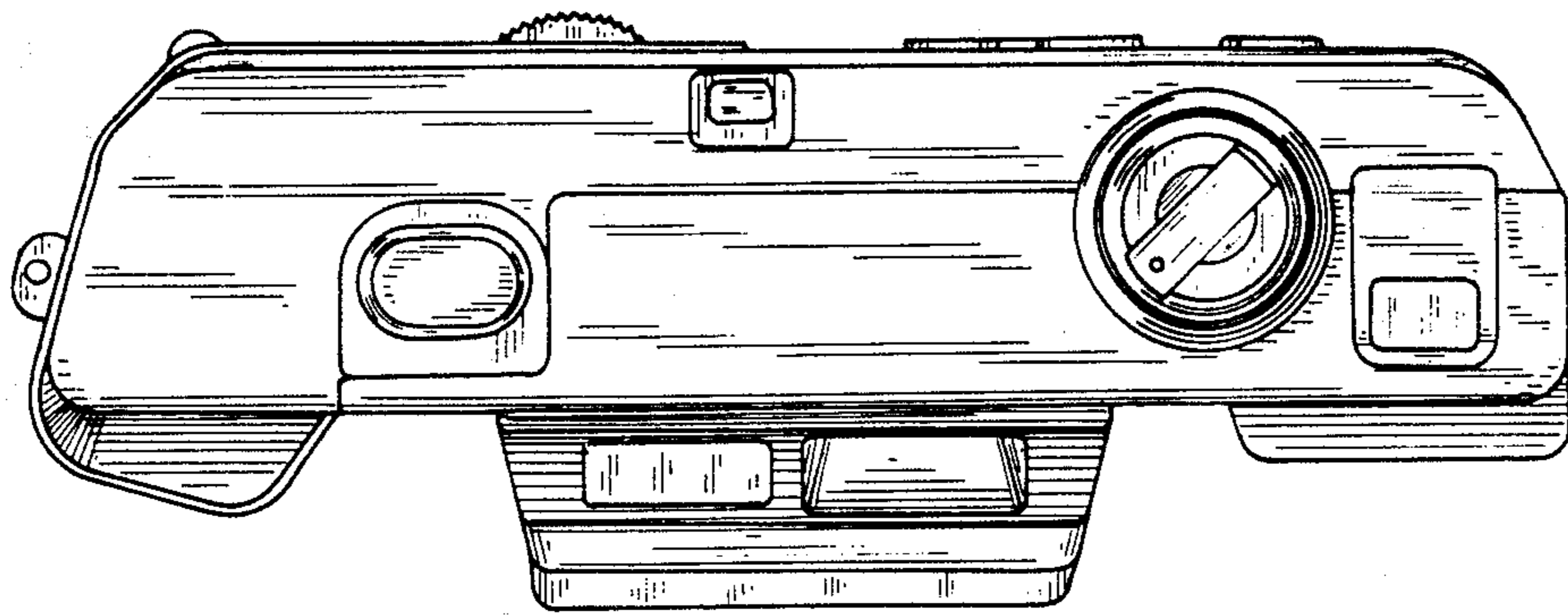


FIG. 6

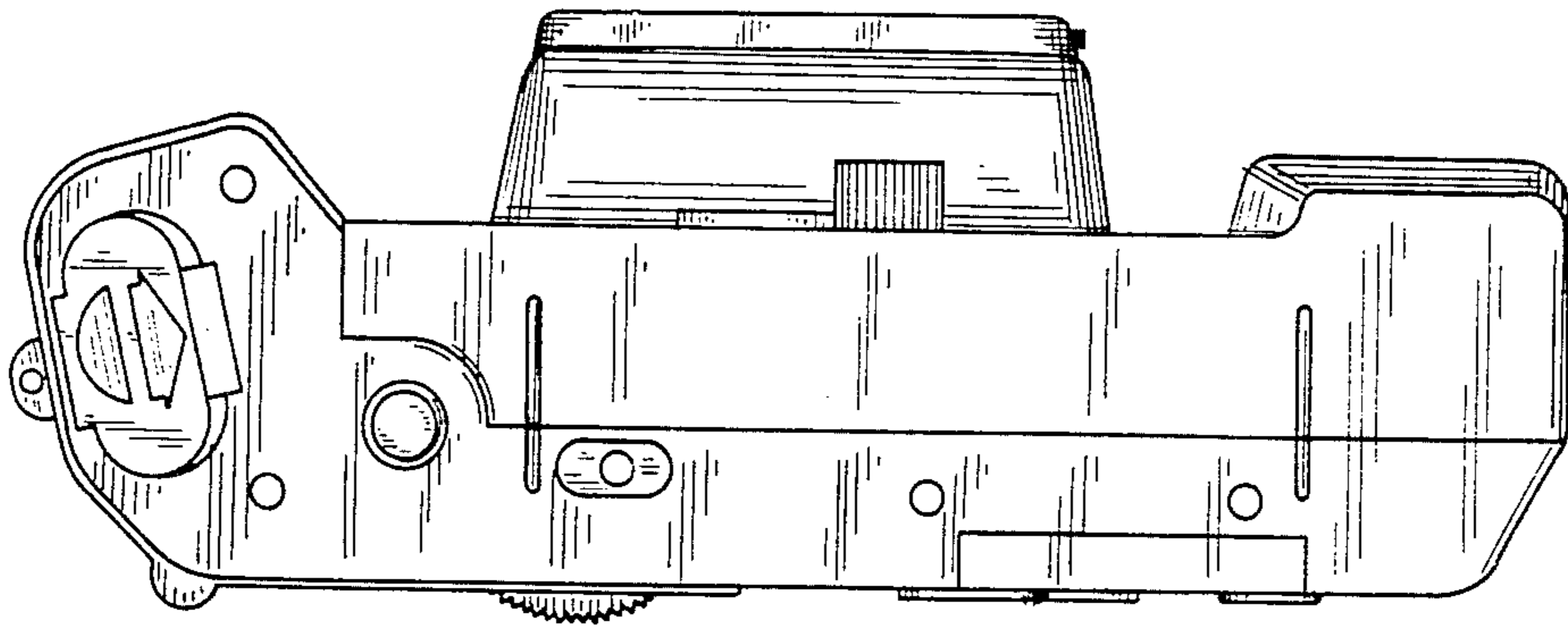


FIG. 7