

[54] **APPARATUS FOR CONVERTING MOVIE FILMS TO VIDEO TAPE**

[75] **Inventor: Arthur Rea, Oyster Bay, N.Y.**

[73] **Assignee: B.P. Electronics, Inc., Hauppauge, N.Y.**

[\*\*] **Term: 14 Years**

[21] **Appl. No.: 690,139**

[22] **Filed: Jan. 10, 1985**

[52] **U.S. Cl. .... D16/14; D16/11; D16/27; D16/38**

[58] **Field of Search .... D16/11, 14-16, D16/18, 20, 24-26, 27, 38, 43; 350/123, 124; 352/131; 353/27-28, 30, 74, 77, 88, 119; 355/66, 67**

[56] **References Cited**

**U.S. PATENT DOCUMENTS**

- D. 118,625 1/1940 Krastel ..... D16/26
- D. 124,324 12/1940 Mihalyi ..... D16/38
- D. 198,240 5/1964 Wauy ..... D16/25 X
- D. 252,631 8/1979 Dieckhoff ..... D16/14
- D. 276,239 11/1984 Yamamoto ..... D16/26 X
- 2,345,416 6/1941 Naramore .
- 2,583,467 1/1952 Burleigh et al. .
- 2,665,608 1/1954 Clark ..... 353/28
- 2,685,817 8/1954 Freeman .
- 2,716,918 9/1955 Miles .
- 2,730,011 1/1956 Kleinhample et al. .

- 2,876,674 3/1959 Ohlhaber .
- 3,174,394 3/1965 Kapilow et al. .
- 3,272,066 9/1966 Rice ..... 355/66 X
- 3,277,781 10/1966 Moutray .
- 3,498,713 3/1970 Schlegel ..... 355/66
- 3,773,419 11/1973 Sumner ..... 355/43
- 3,951,518 4/1976 Kobayashi ..... 353/77 X
- 4,205,895 6/1980 Yurdin et al. .
- 4,235,536 11/1980 Hofman ..... 353/119 X
- 4,403,216 9/1983 Yakoi .

**FOREIGN PATENT DOCUMENTS**

- 761695 11/1956 United Kingdom ..... 350/123

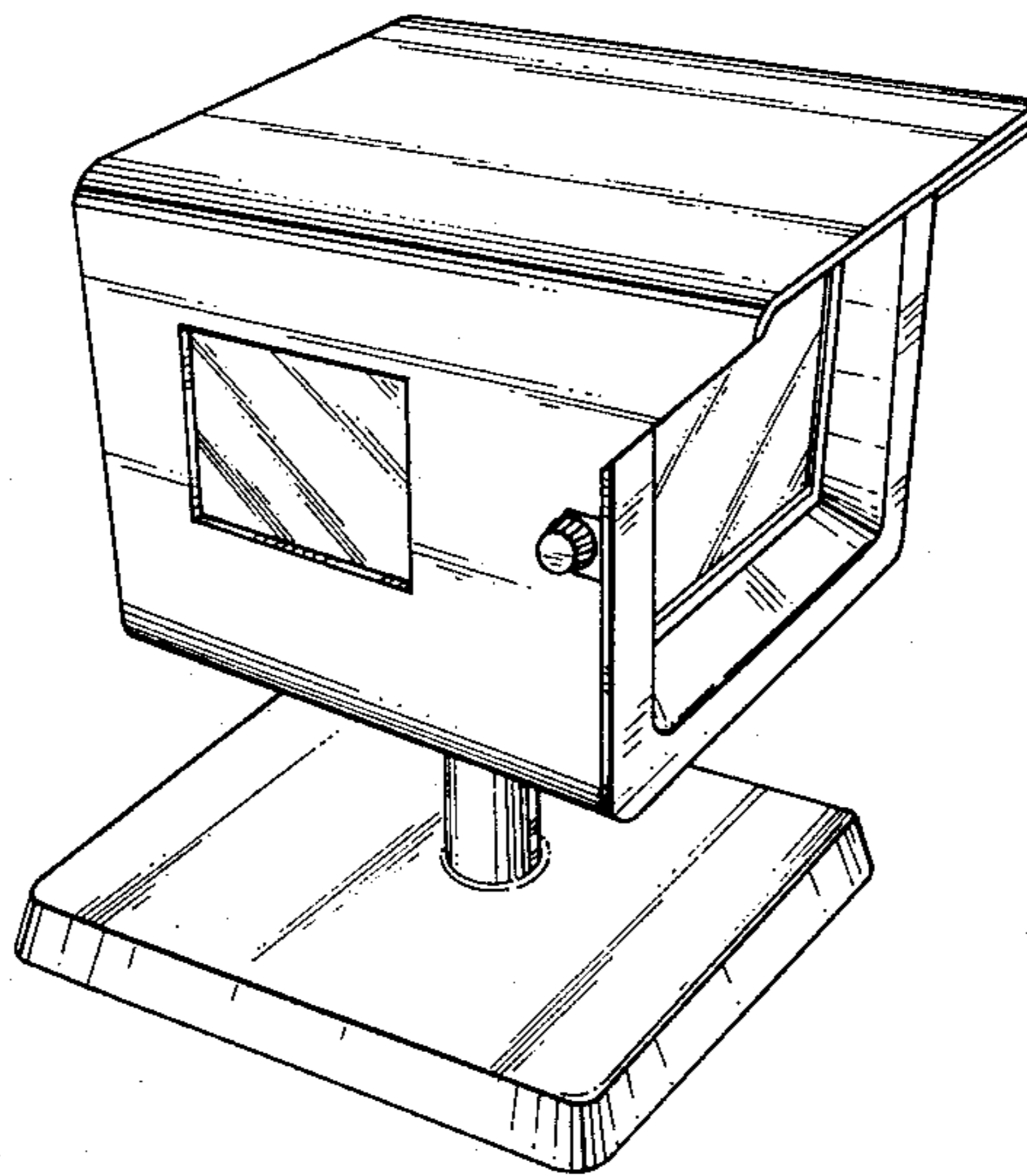
*Primary Examiner*—Nelson C. Holtje  
*Attorney, Agent, or Firm*—Anthony J. Casella; Gerald E. Hespos

[57] **CLAIM**

The ornamental design for an apparatus for converting movie films to video tape, as shown.

**DESCRIPTION**

FIG. 1 is a top and left front perspective view of an apparatus for converting movie films to video tape showing my new design;  
 FIG. 2 is a front elevational view thereof;  
 FIG. 3 is a rear elevational view thereof;  
 FIG. 4 is a left side elevational view thereof;  
 FIG. 5 is a right side elevational view thereof;  
 FIG. 6 is a top plan view thereof; and  
 FIG. 7 is a bottom plan view thereof.



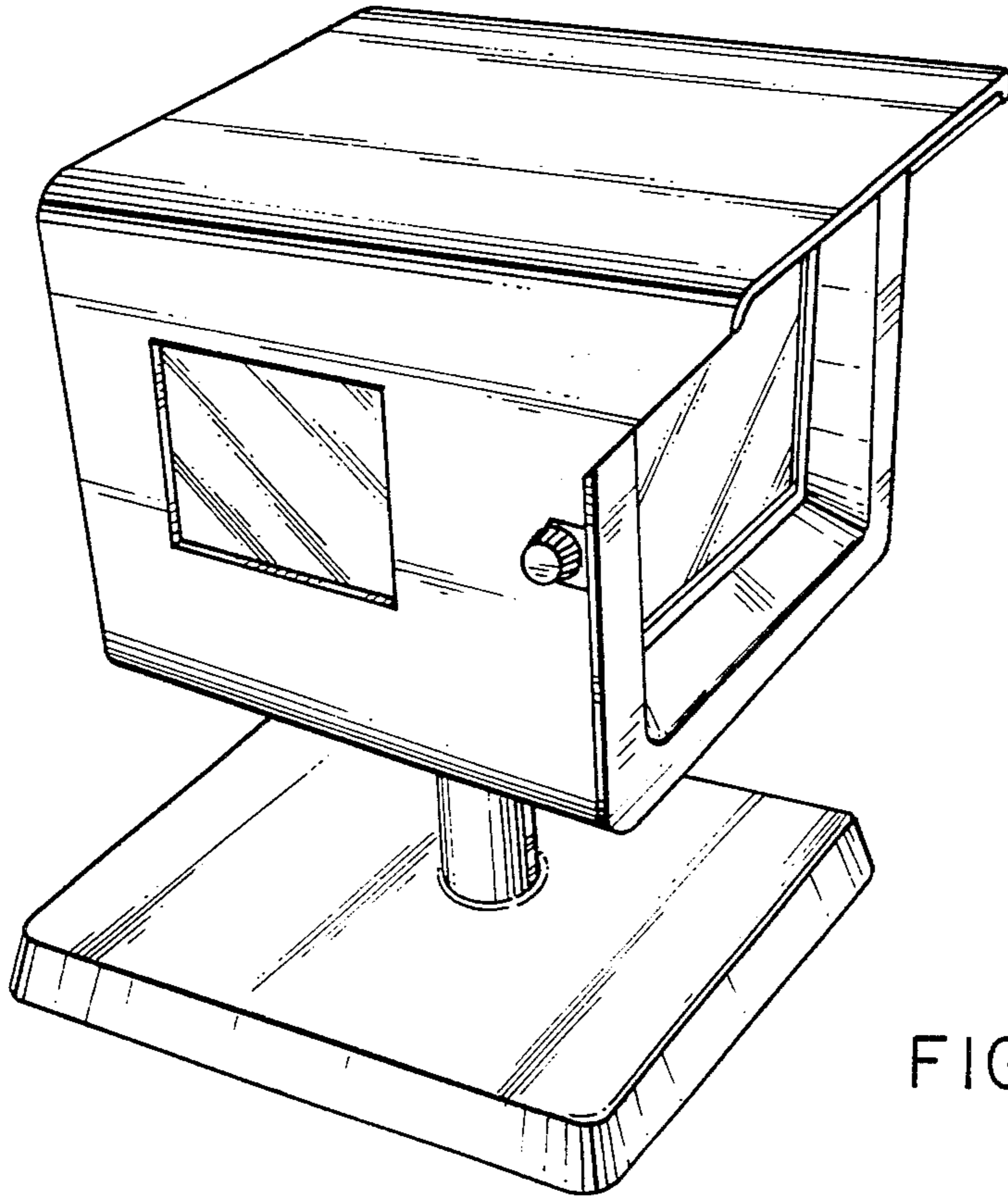


FIG. 1

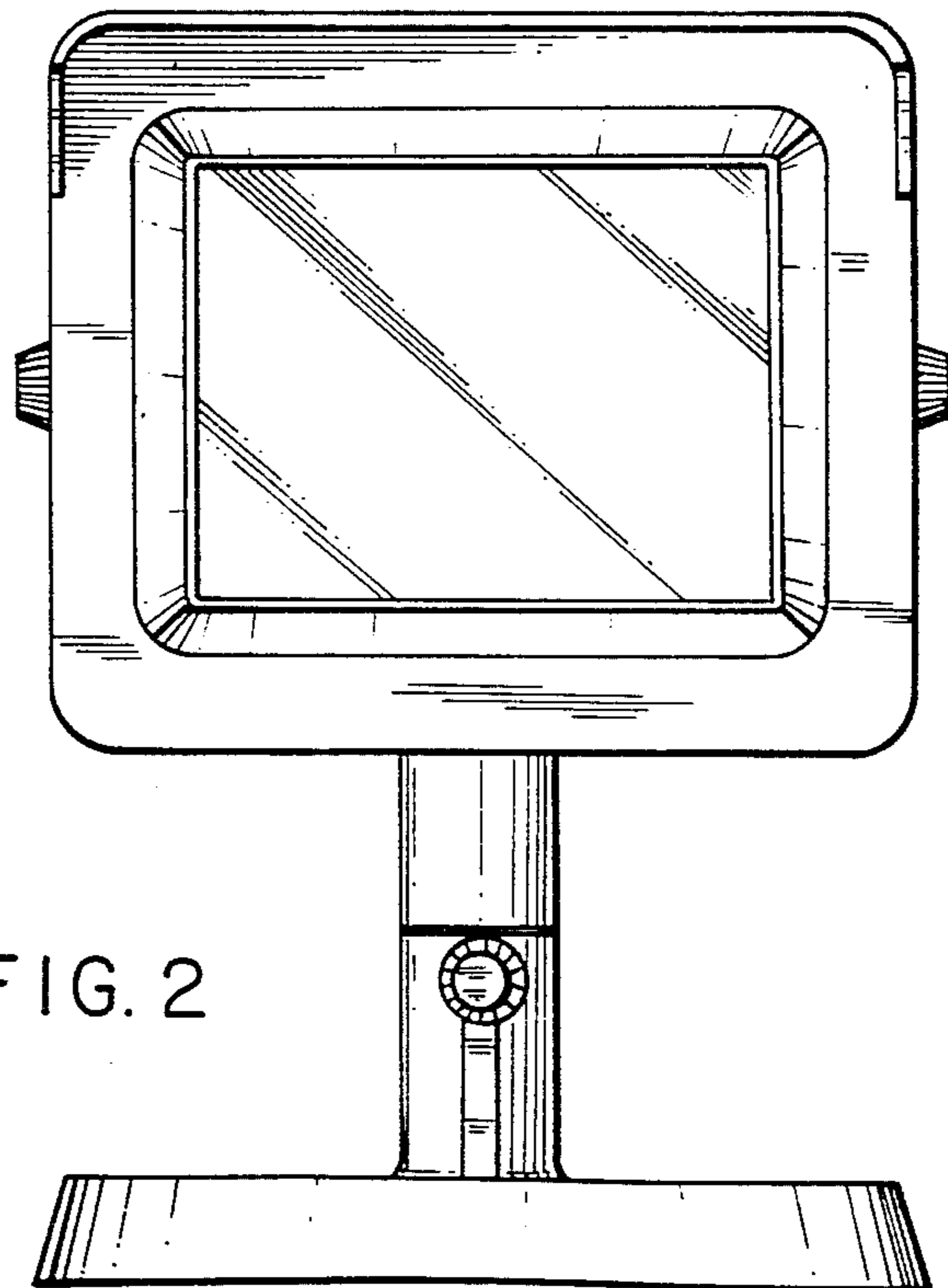


FIG. 2

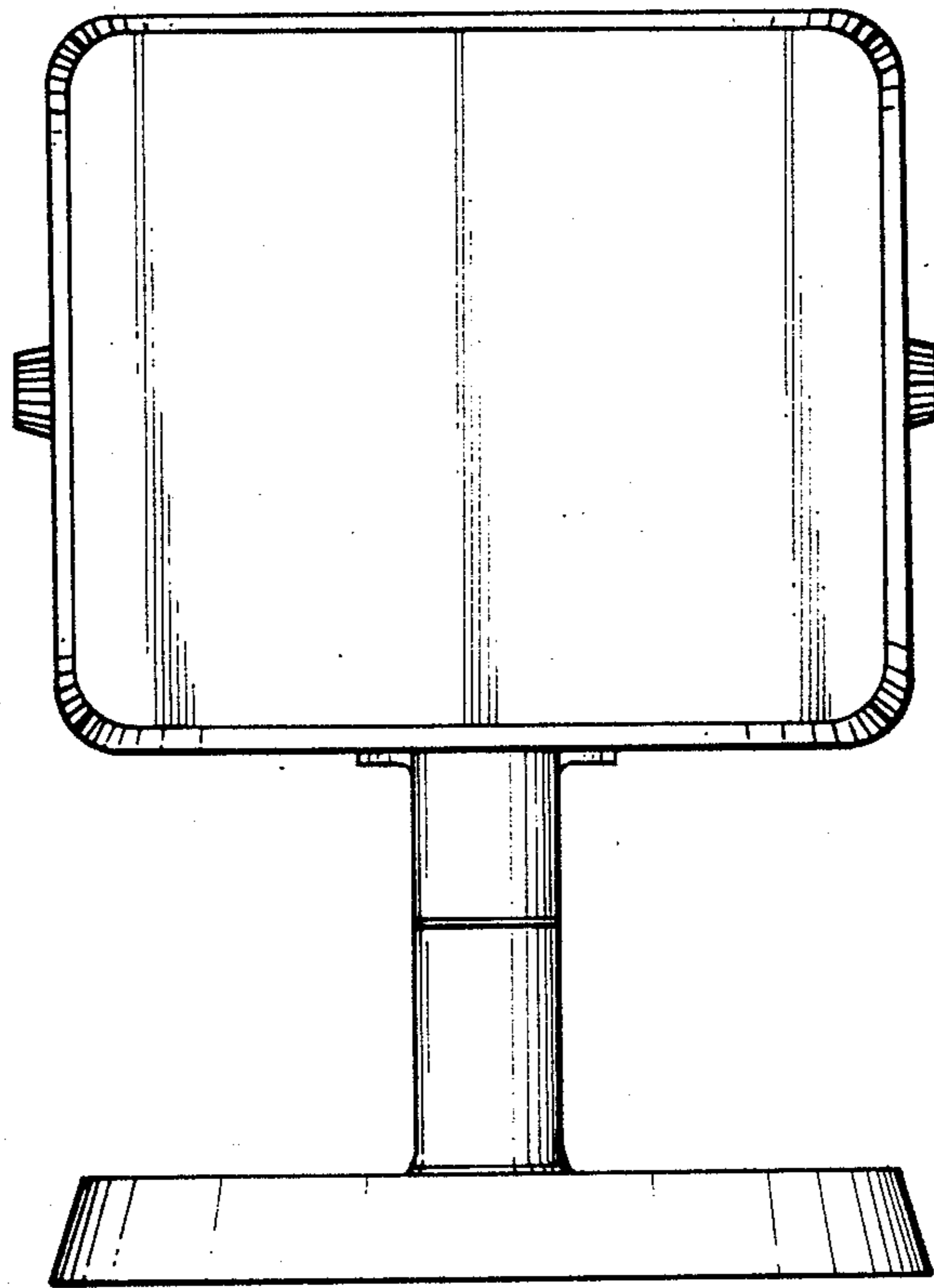


FIG. 3

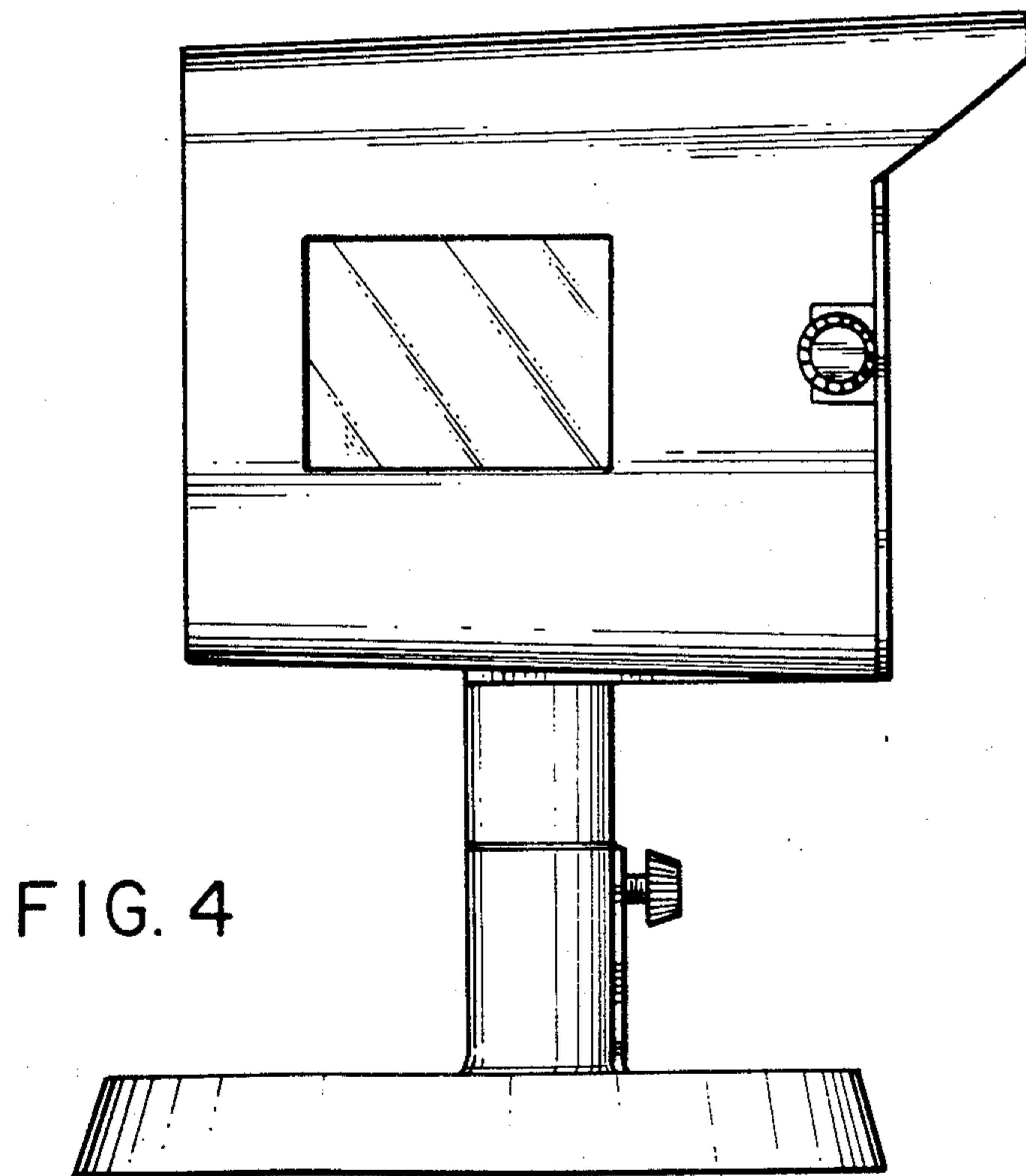


FIG. 4

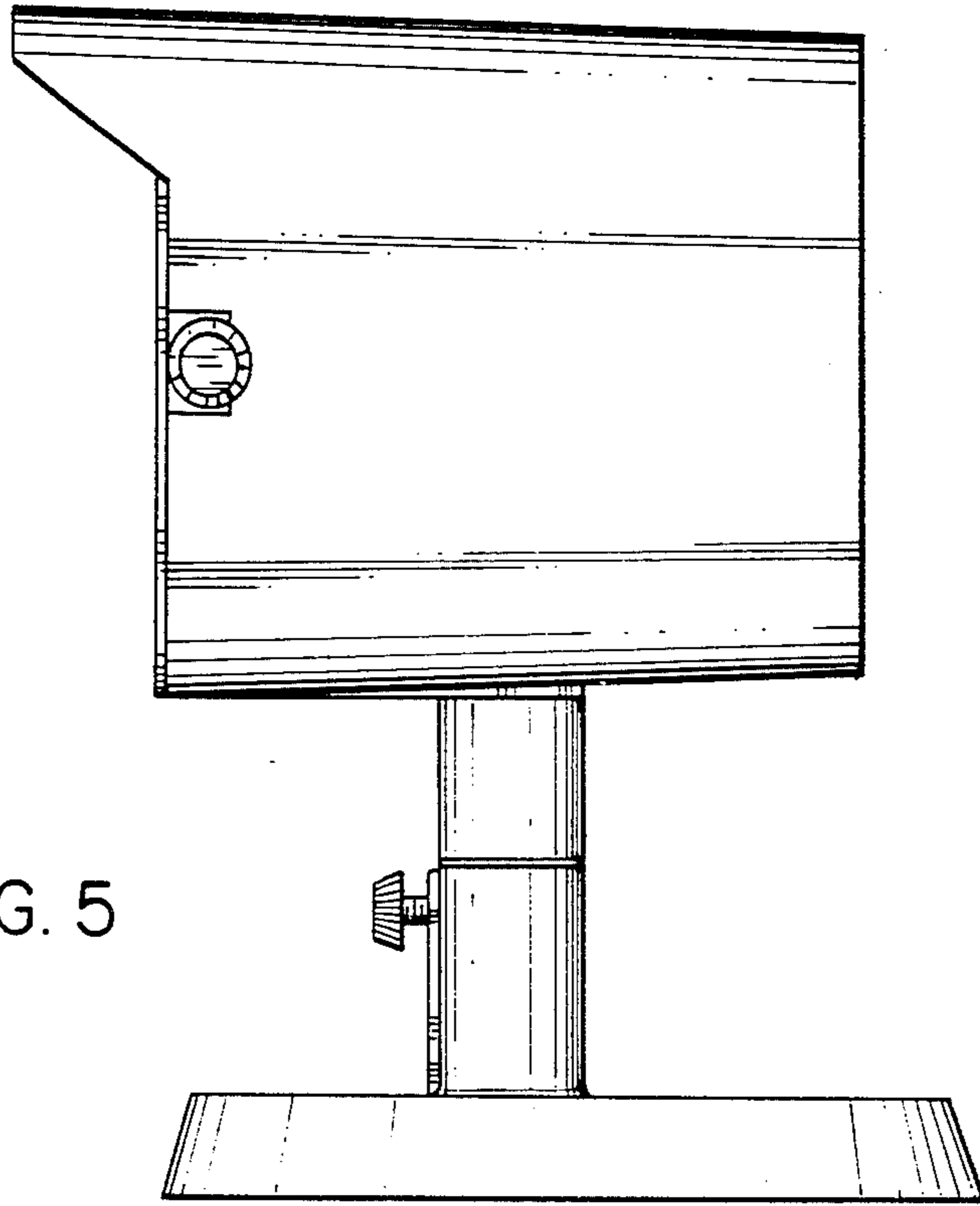


FIG. 5

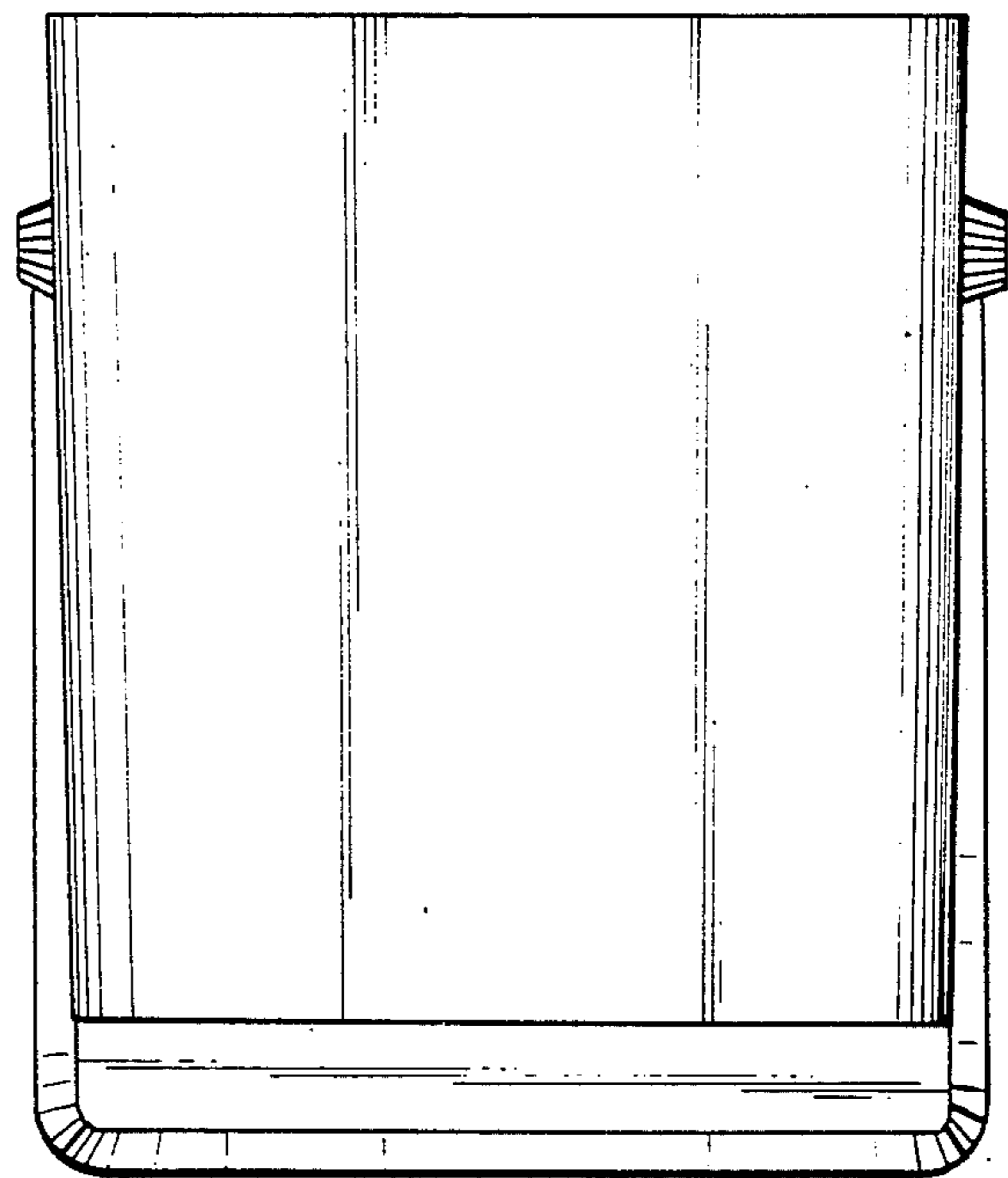


FIG. 6

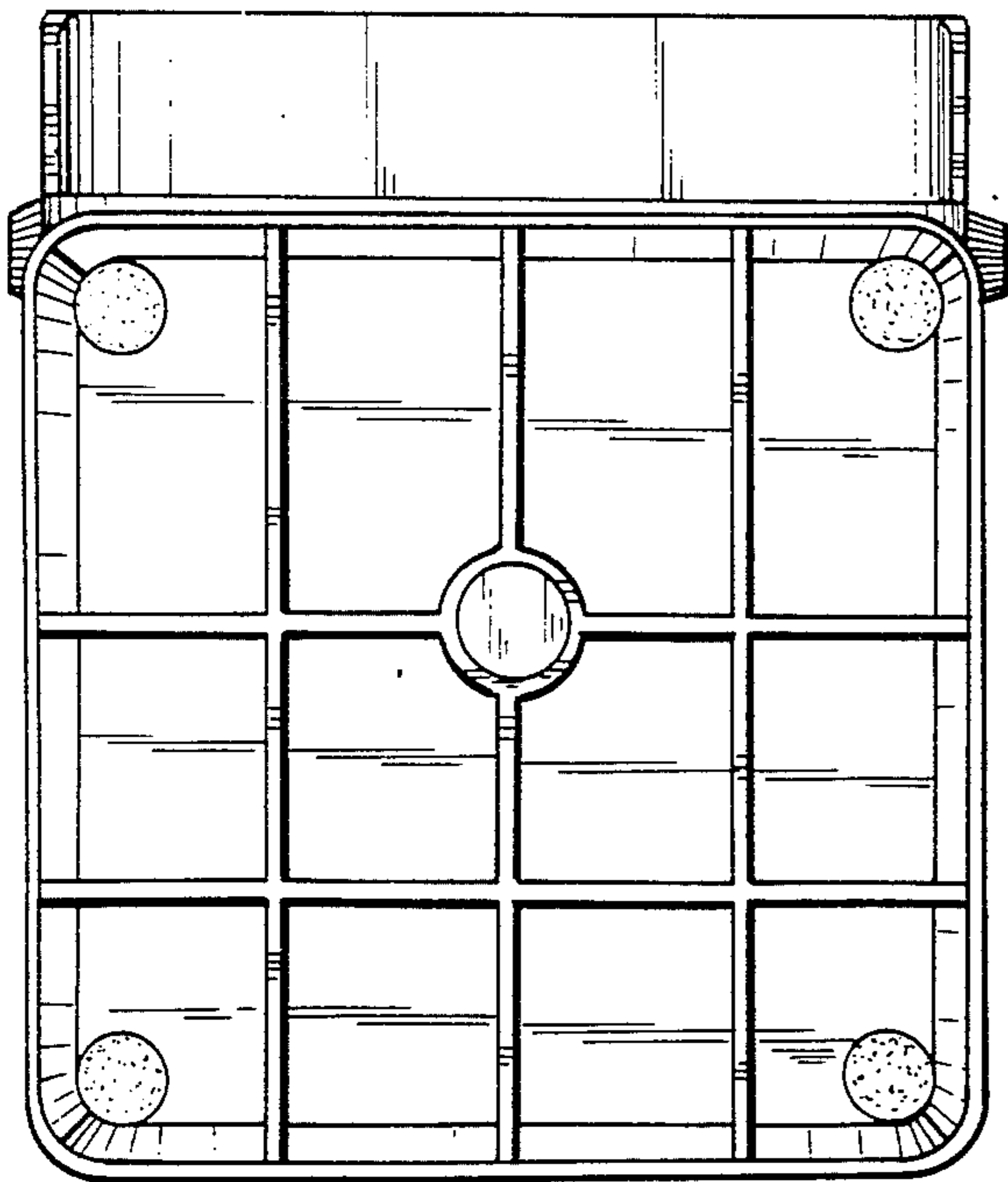


FIG. 7