

[54] MONITOR STAND

[75] Inventors: Stephen Peart, Los Gatos; Man Van-Dinh, Campbell, both of Calif.

[73] Assignee: Apple Computer, Inc., Cupertino, Calif.

[\*\*] Term: 14 Years

[21] Appl. No.: 602,655

[22] Filed: Apr. 20, 1984

[52] U.S. Cl. .... D14/114; D6/406

[58] Field of Search ..... D14/100, 101, 106, 107, D14/113, 114; D18/1, 7, 12; 340/700, 711; 358/254, 248, 249; 248/125, 133, 371, 181, 183, 178, 179

[56] References Cited

U.S. PATENT DOCUMENTS

- D. 277,569 2/1985 Georgopoulos ..... D14/106 X
- D. 277,962 5/1985 Thom ..... D14/106
- D. 279,189 6/1985 Tsumura et al. .... D14/113
- 1,348,569 8/1920 Knights ..... 248/371
- 4,395,010 7/1983 Helgeland et al. .... 248/183 X

FOREIGN PATENT DOCUMENTS

2348103 3/1975 Fed. Rep. of Germany ..... 248/371

OTHER PUBLICATIONS

Racal-Milgo Data Communication Products Catalog, 5-1978, p. 17, Display Support.

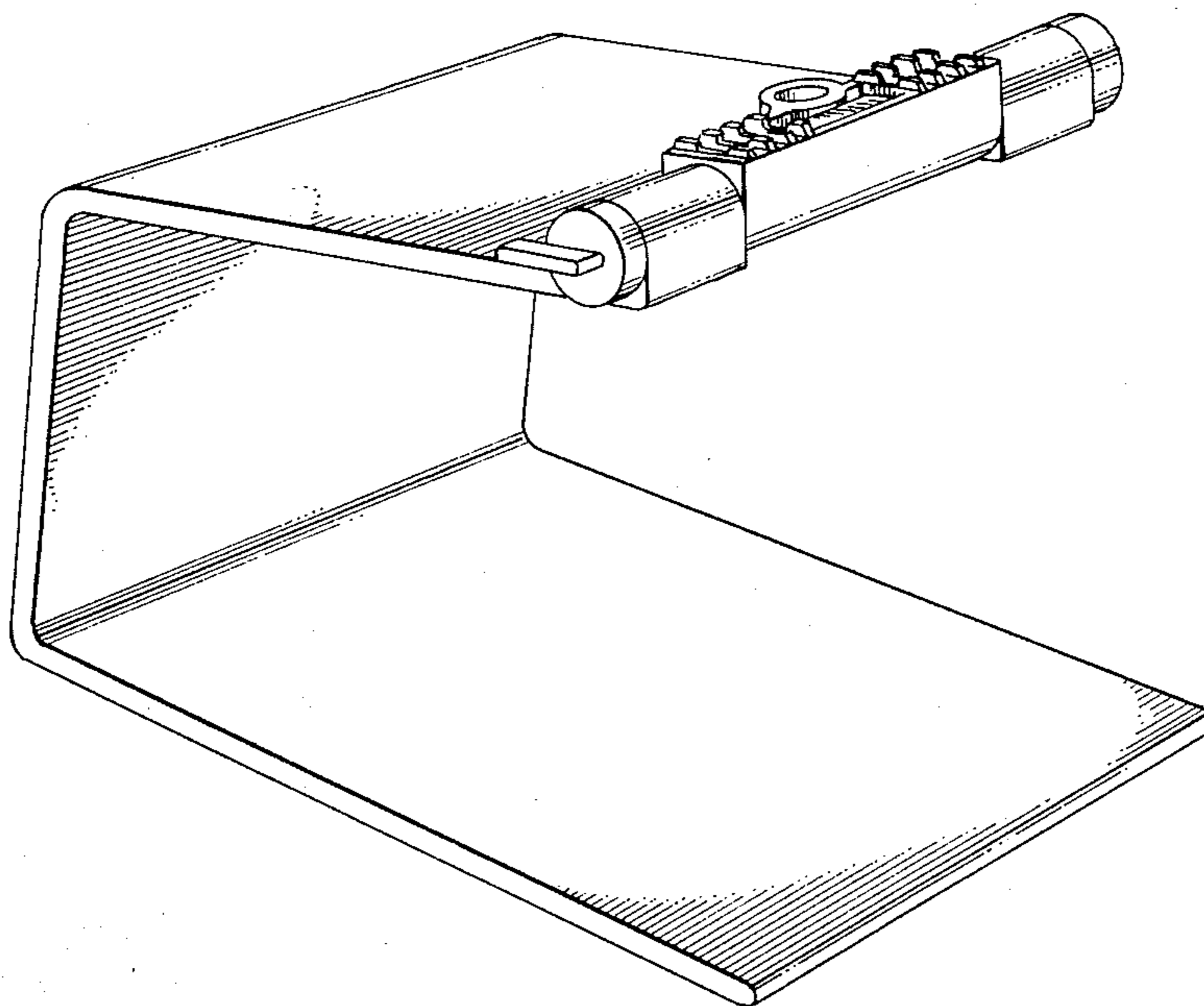
Primary Examiner—Susan J. Lucas  
Attorney, Agent, or Firm—Blakely, Sokoloff, Taylor & Zafman

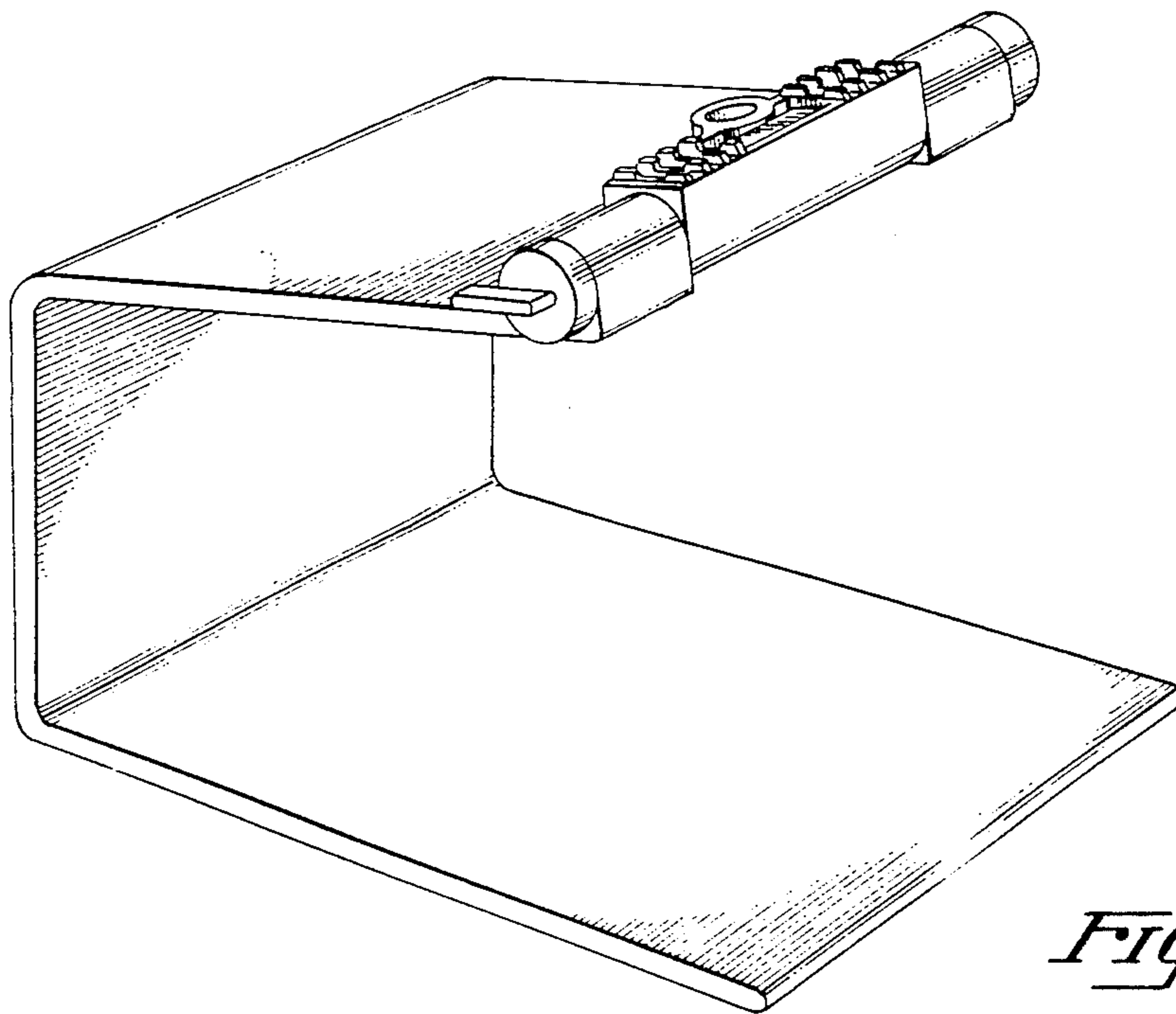
[57] CLAIM

The ornamental design for a monitor stand, substantially as shown.

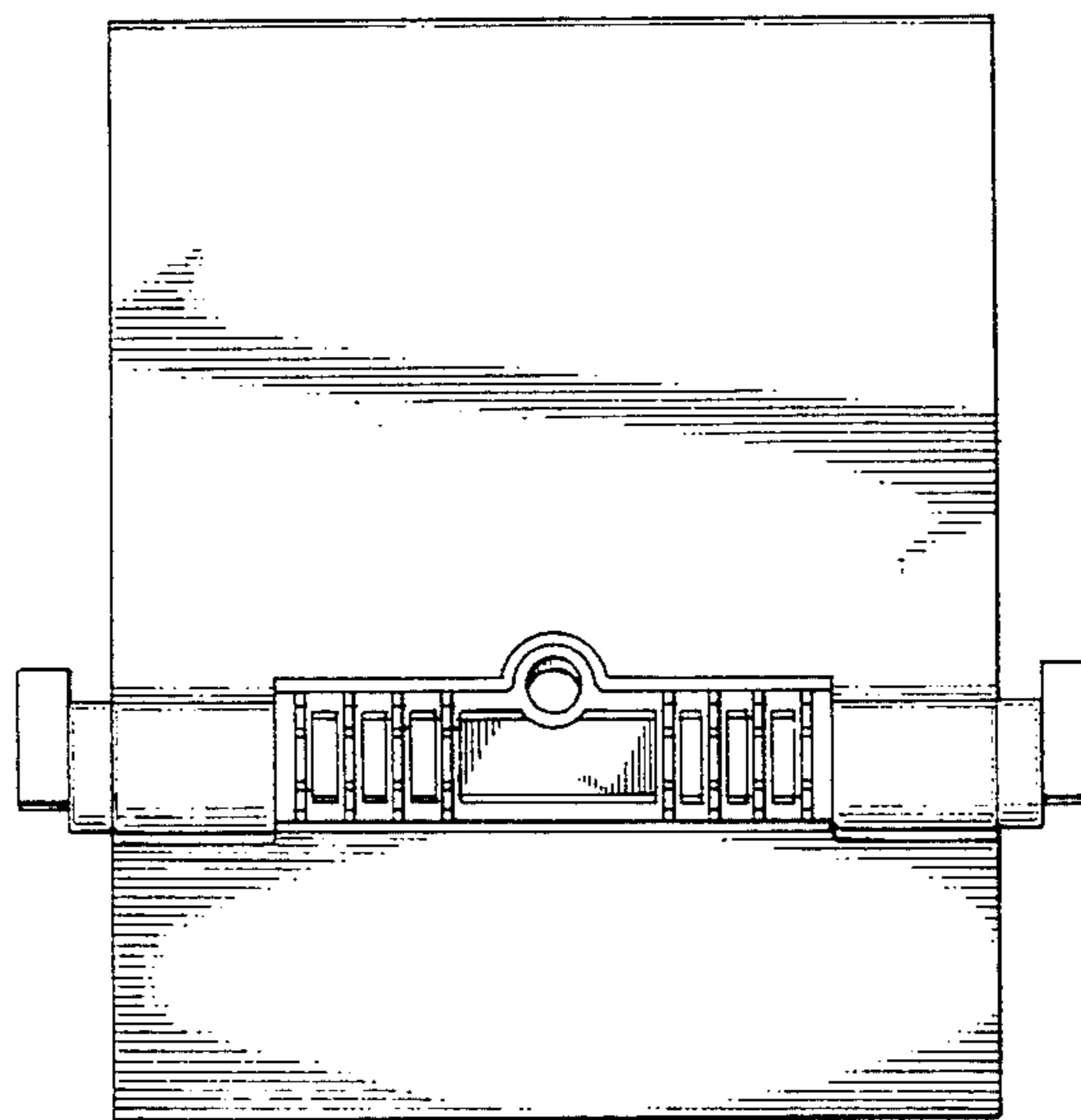
DESCRIPTION

- FIG. 1 is a front perspective view of the monitor stand showing our new design;
- FIG. 2 is a top plan view thereof;
- FIG. 3 is a front elevation view thereof;
- FIG. 4 is a right side elevation view thereof;
- FIG. 5 is a left side elevation view thereof;
- FIG. 6 is a rear elevation view thereof;
- FIG. 7 is a bottom plan view thereof.

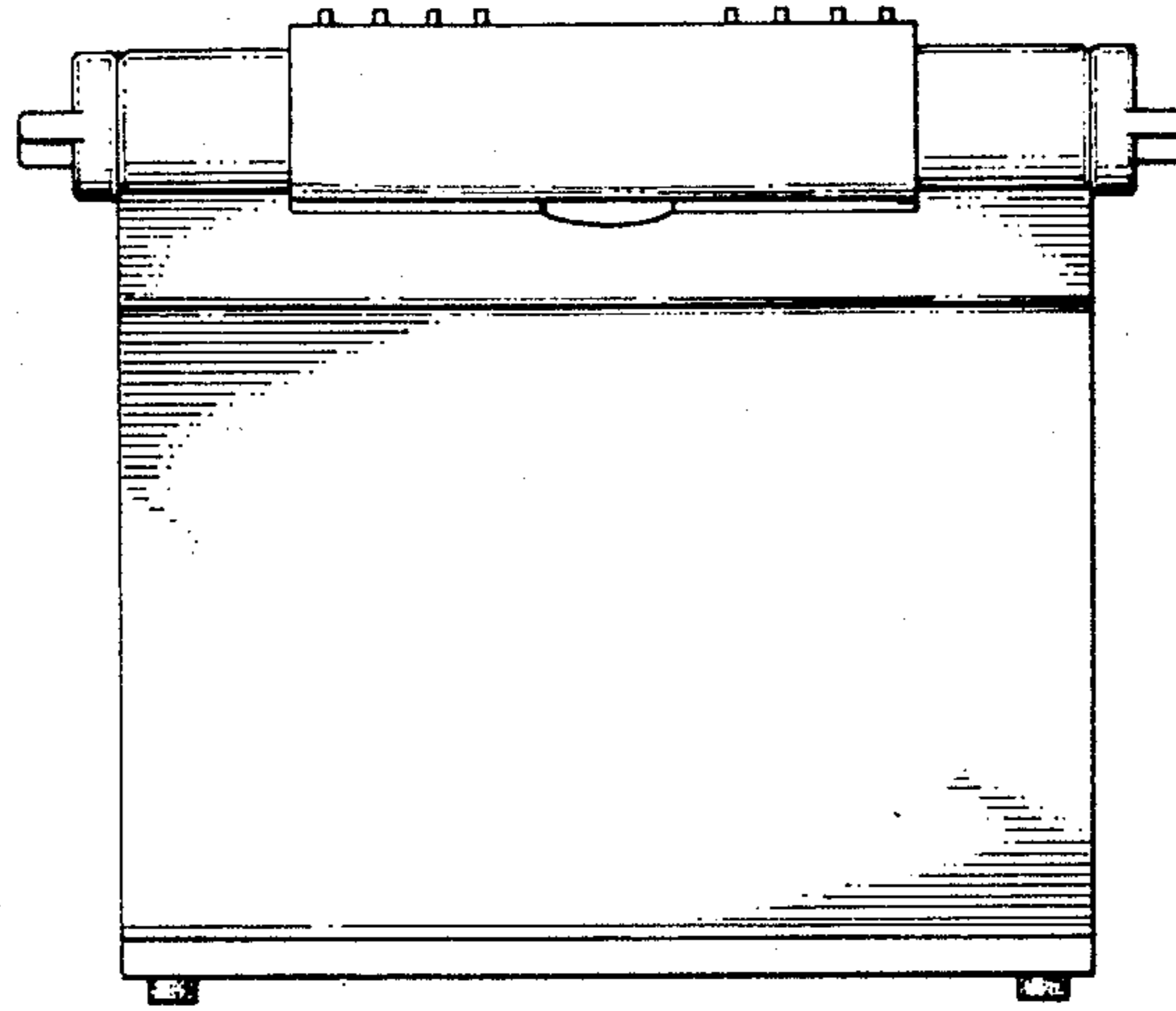




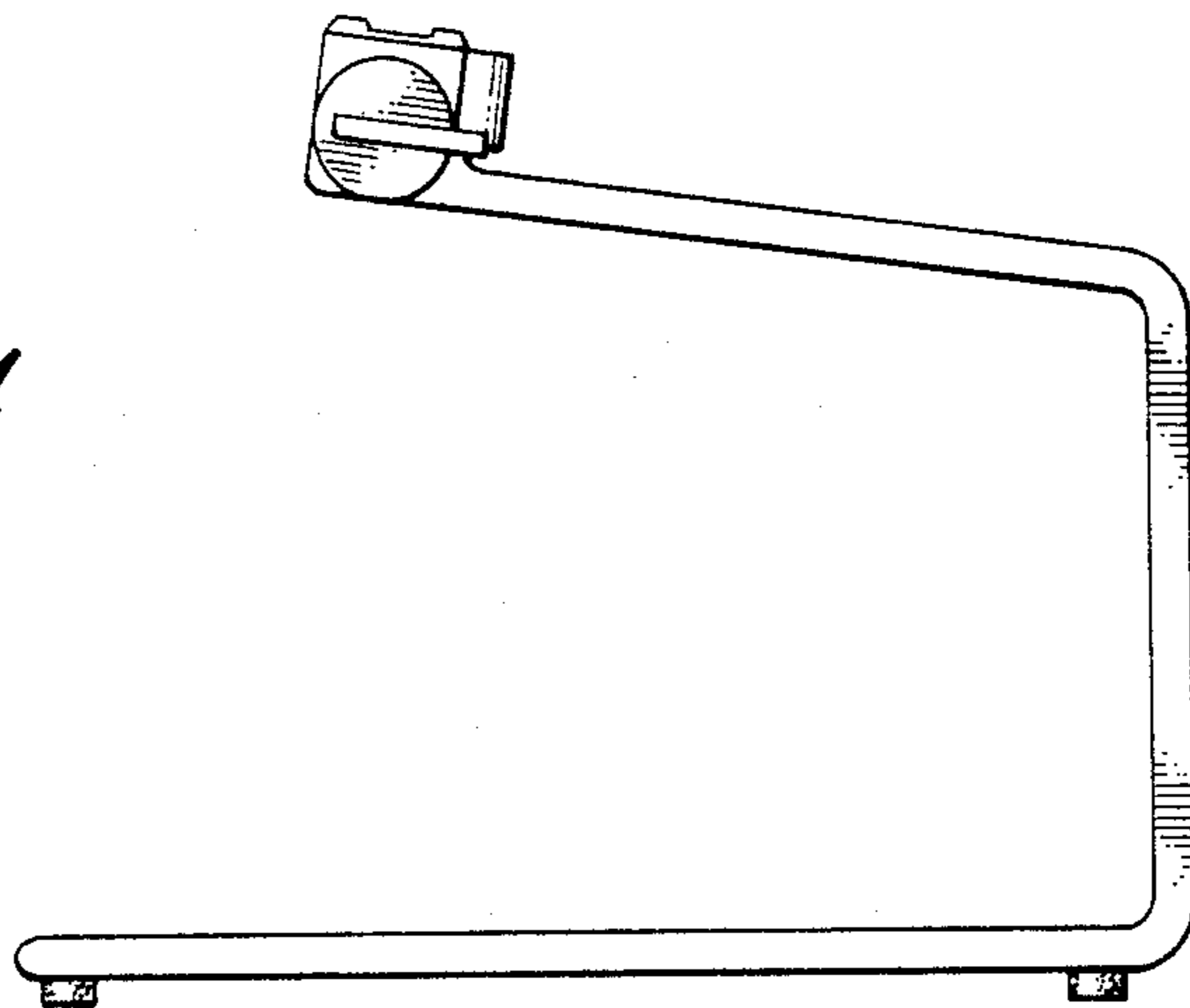
*Fig. 1*



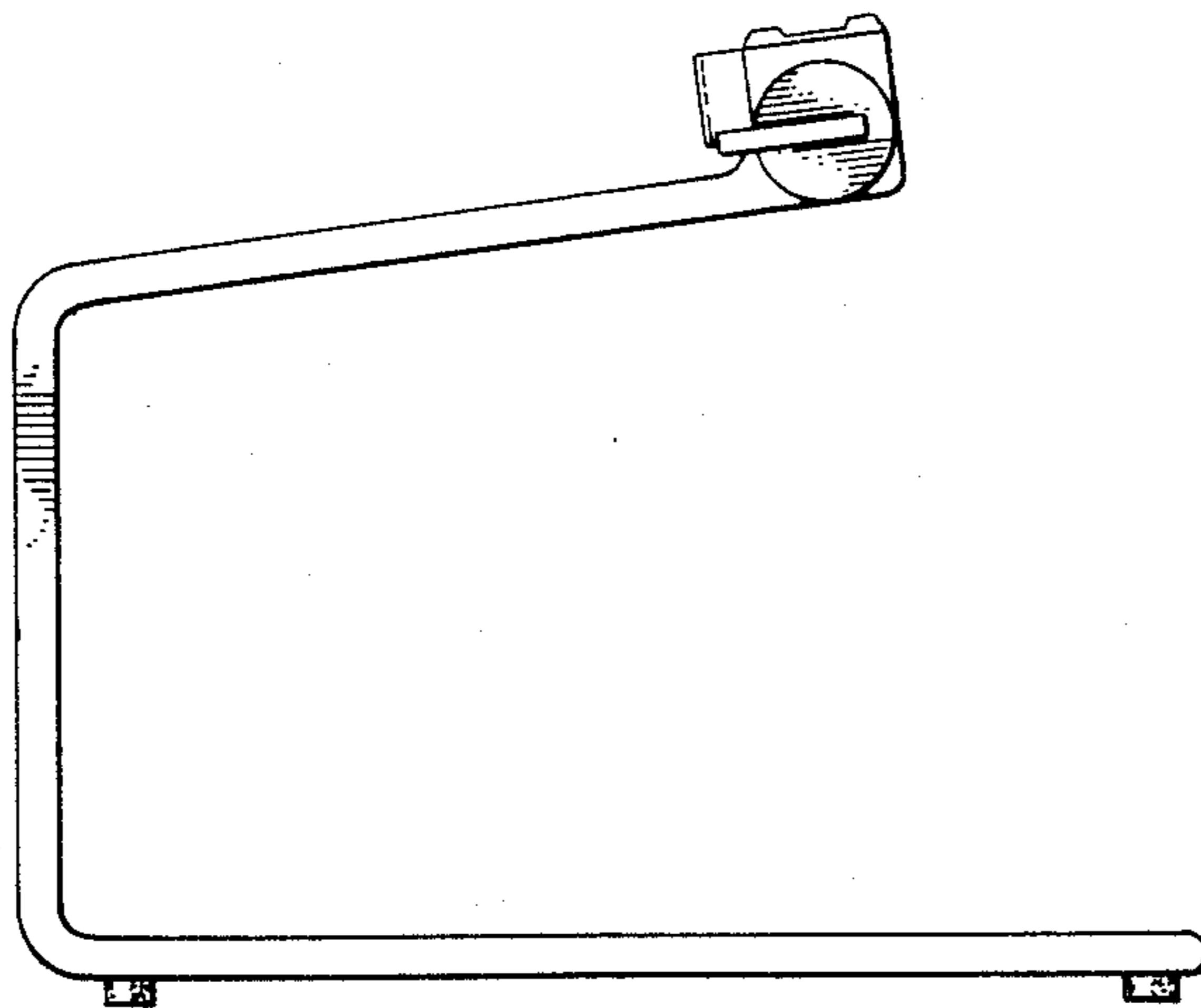
*Fig. 2*



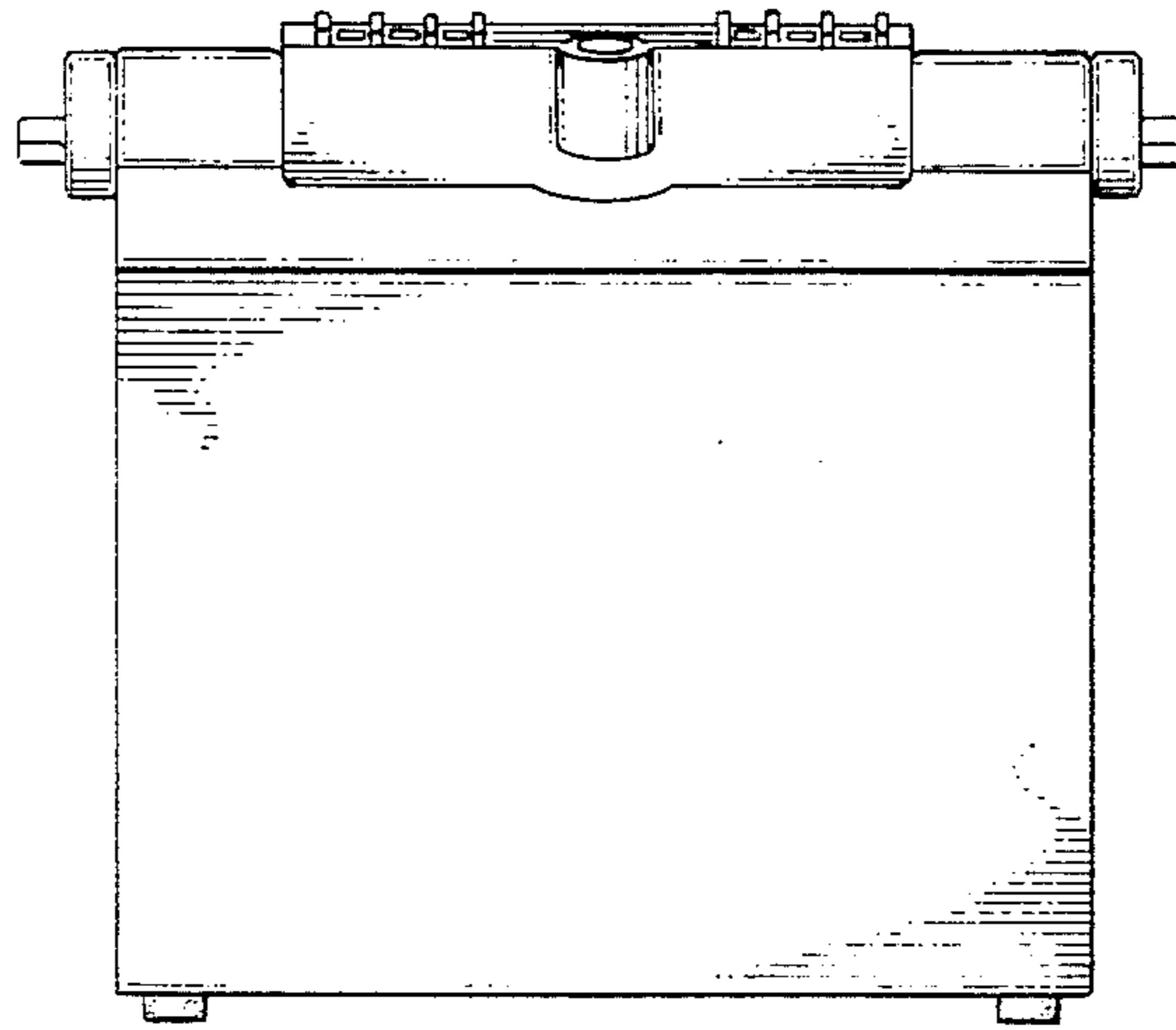
*Fig. 3*



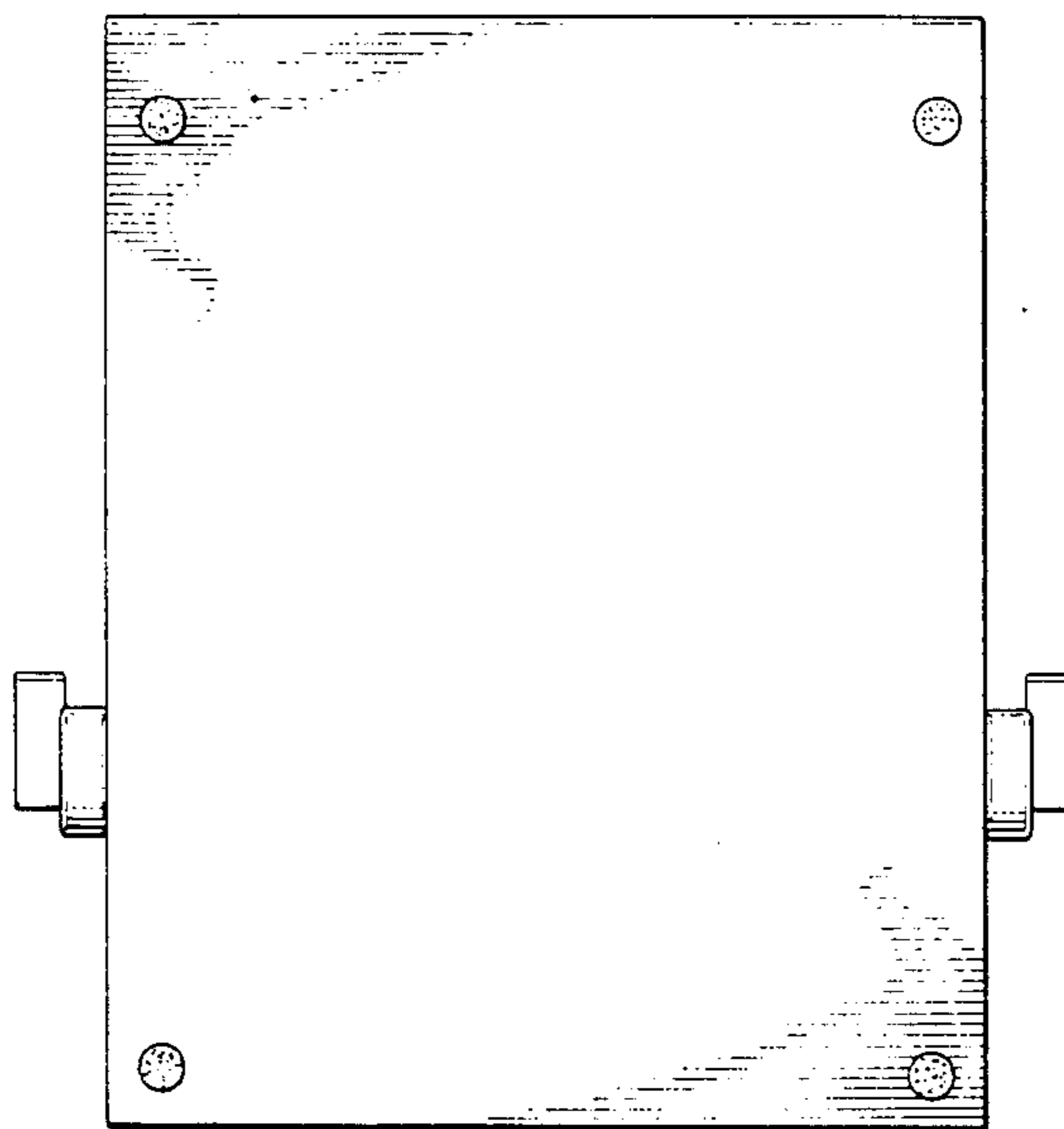
*Fig. 4*



*Fig. 5*



*Fig. 6*



*Fig. 7*