

[54] **CRT DISPLAY MONITOR OR SIMILAR ARTICLE**

D. 285,689 9/1986 Kelley, Jr. et al. .... D14/113

[75] Inventors: **David L. Schaum**, Woodstock, N.Y.;  
**Joseph P. Taylor**, Los Gatos, Calif.

**OTHER PUBLICATIONS**

Byte, 9-1983, p. 361, Multitech Monitor.

[73] Assignee: **International Business Machines Corporation**, Armonk, N.Y.

*Primary Examiner*—Susan J. Lucas  
*Attorney, Agent, or Firm*—Henry E. Otto, Jr.

[\*\*] Term: **14 Years**

[57] **CLAIM**

The ornamental design for a CRT display monitor or similar article, substantially as shown and described.

[21] Appl. No.: **733,277**

**DESCRIPTION**

[22] Filed: **May 10, 1985**

[52] U.S. Cl. .... **D14/113**

[58] **Field of Search** ..... D14/100, 106, 113, 114,  
D14/77, 80, 81, 82, 84; 340/700, 711, 720;  
358/248, 249, 254; 312/7.2

FIG. 1 is a perspective view showing the front, top and right side of a CRT display monitor or similar article showing our new design;

FIG. 2 is a top, rear and left side perspective view thereof;

FIG. 3 is a front elevational view thereof;

FIG. 4 is a rear elevational view thereof;

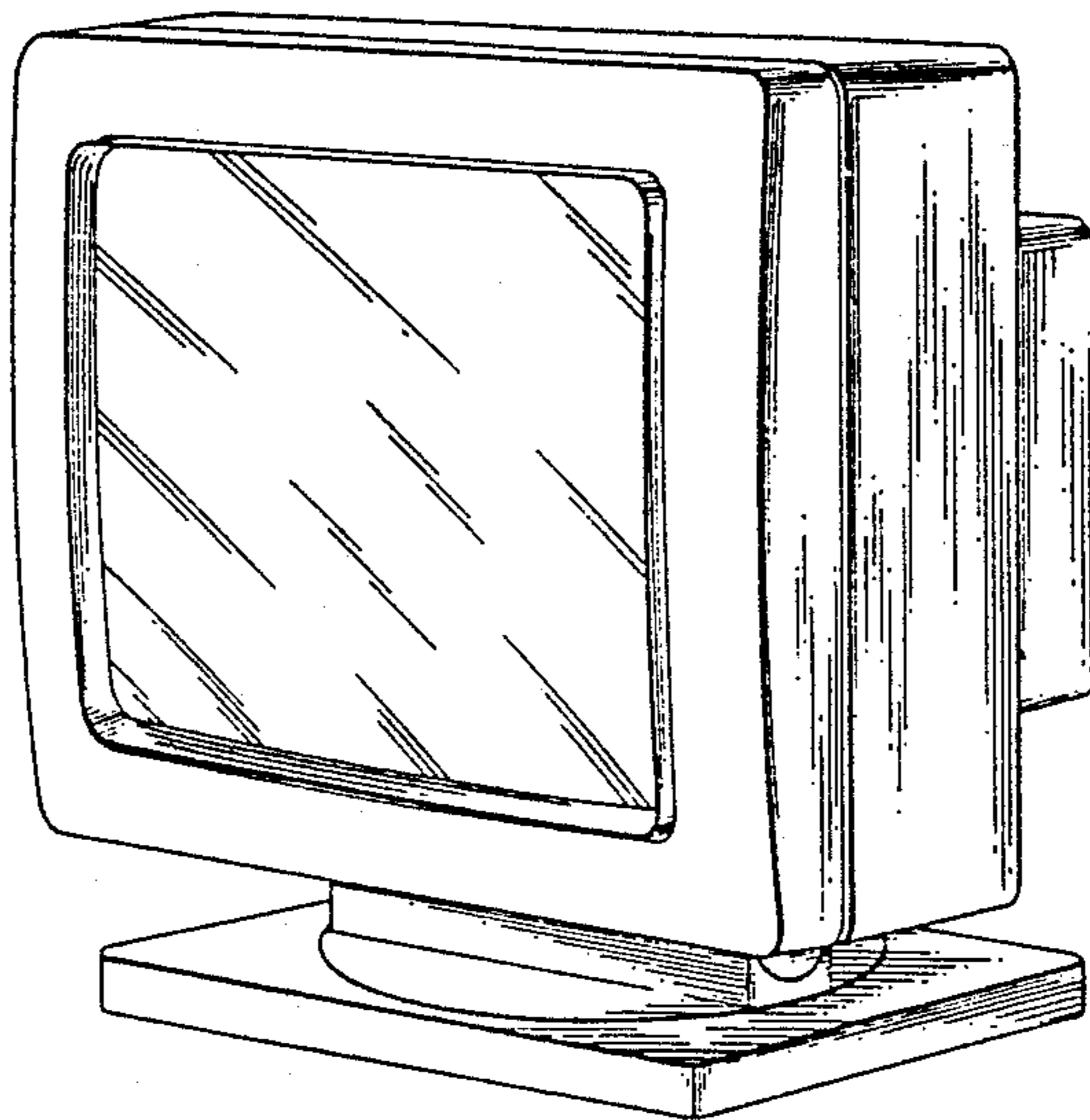
FIG. 5 is a right side elevational view thereof, the left side being a mirror image;

FIG. 6 is a top plan view thereof.

[56] **References Cited**

**U.S. PATENT DOCUMENTS**

- D. 278,149 3/1985 Naito ..... D14/113
- D. 282,845 3/1986 Lewis ..... D14/113



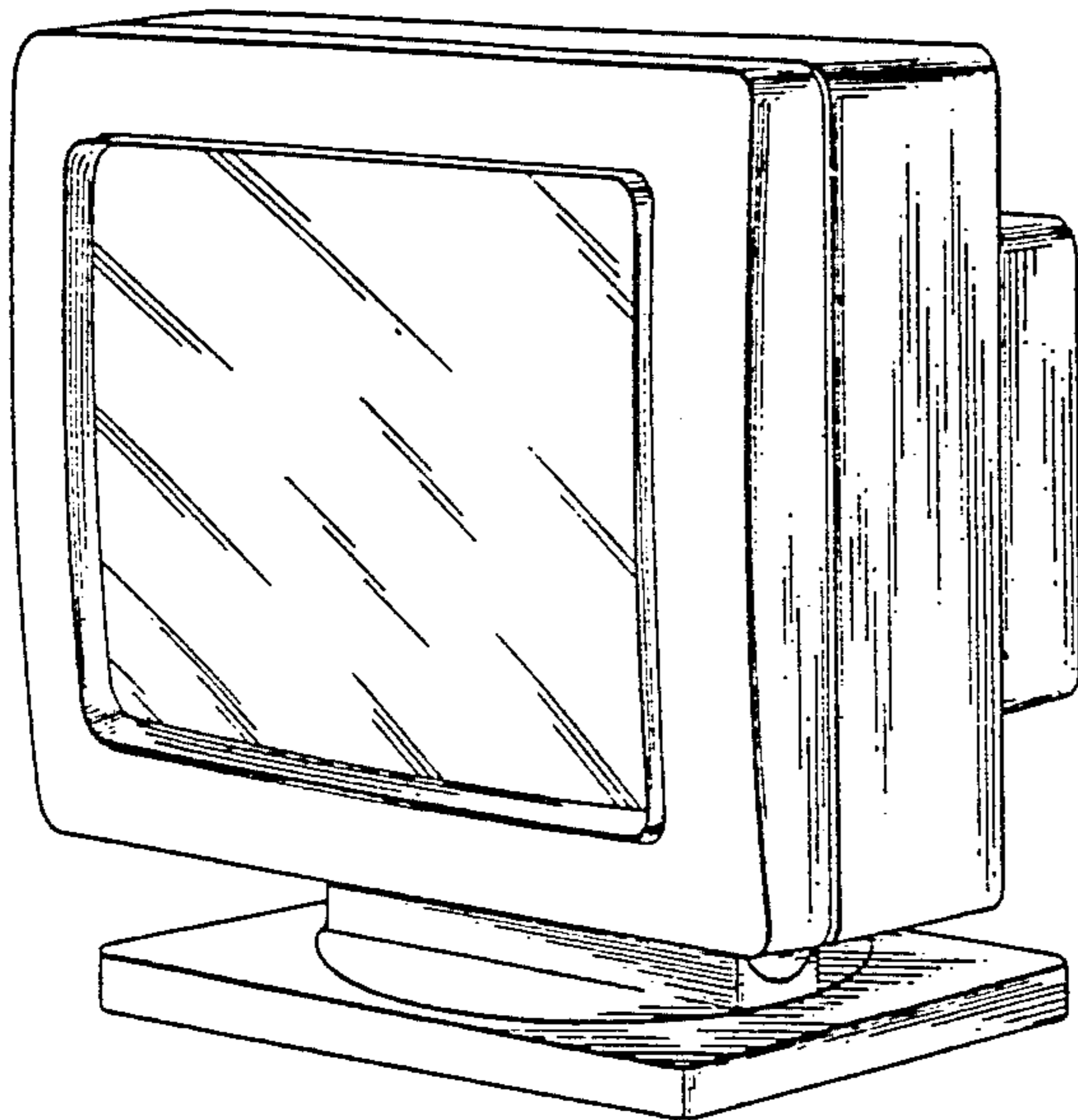


FIG. 1

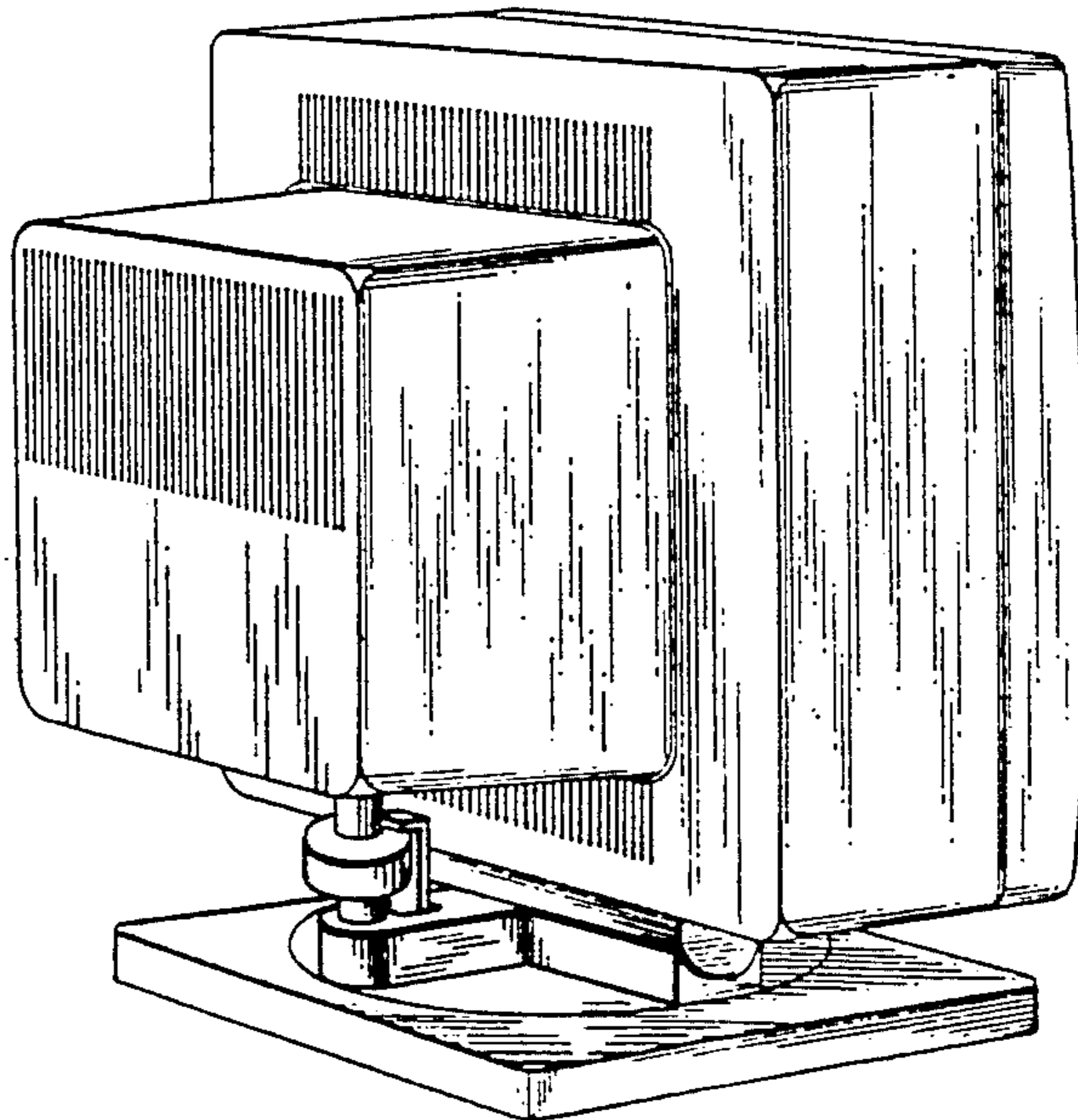


FIG. 2

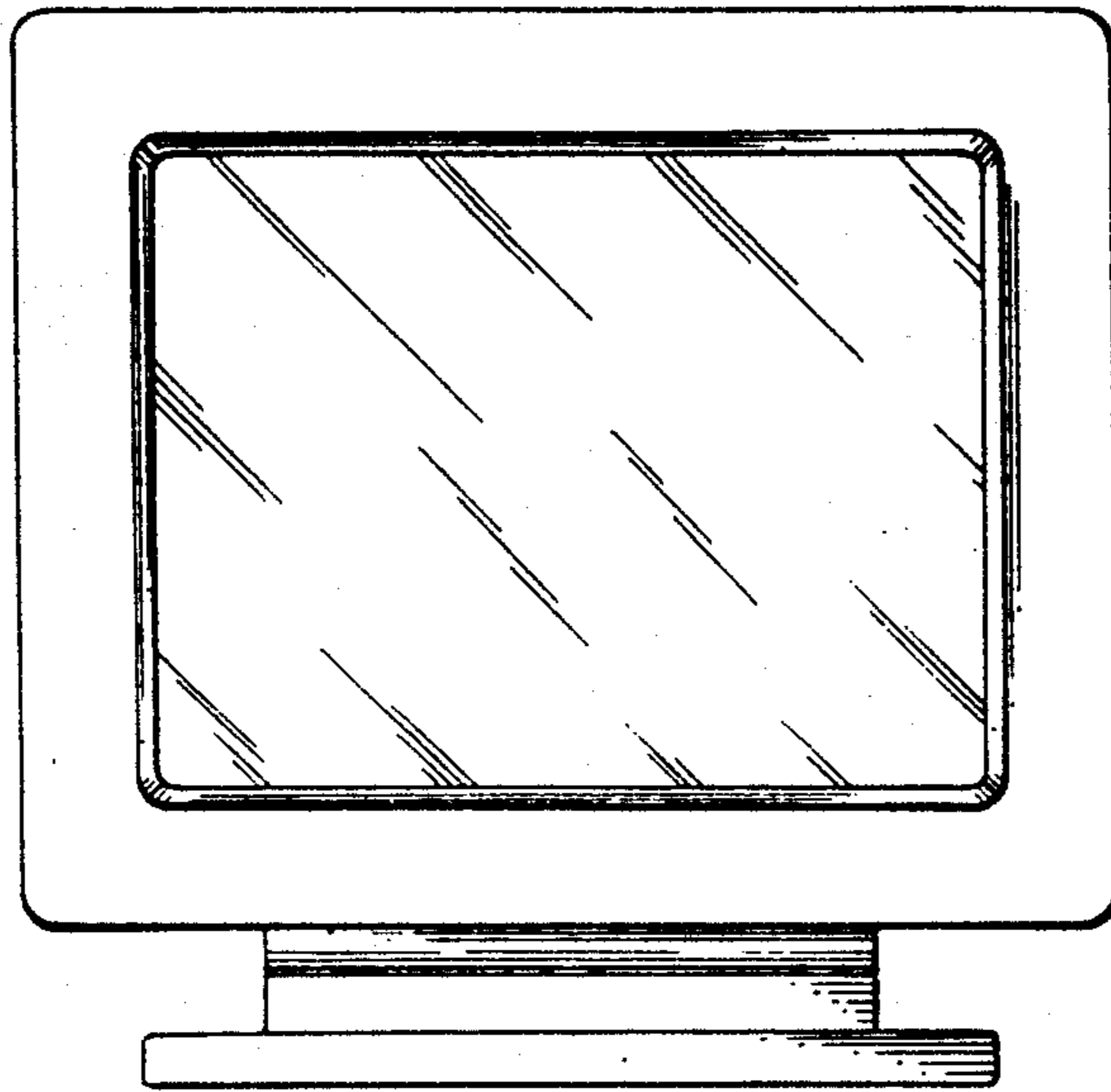


FIG. 3

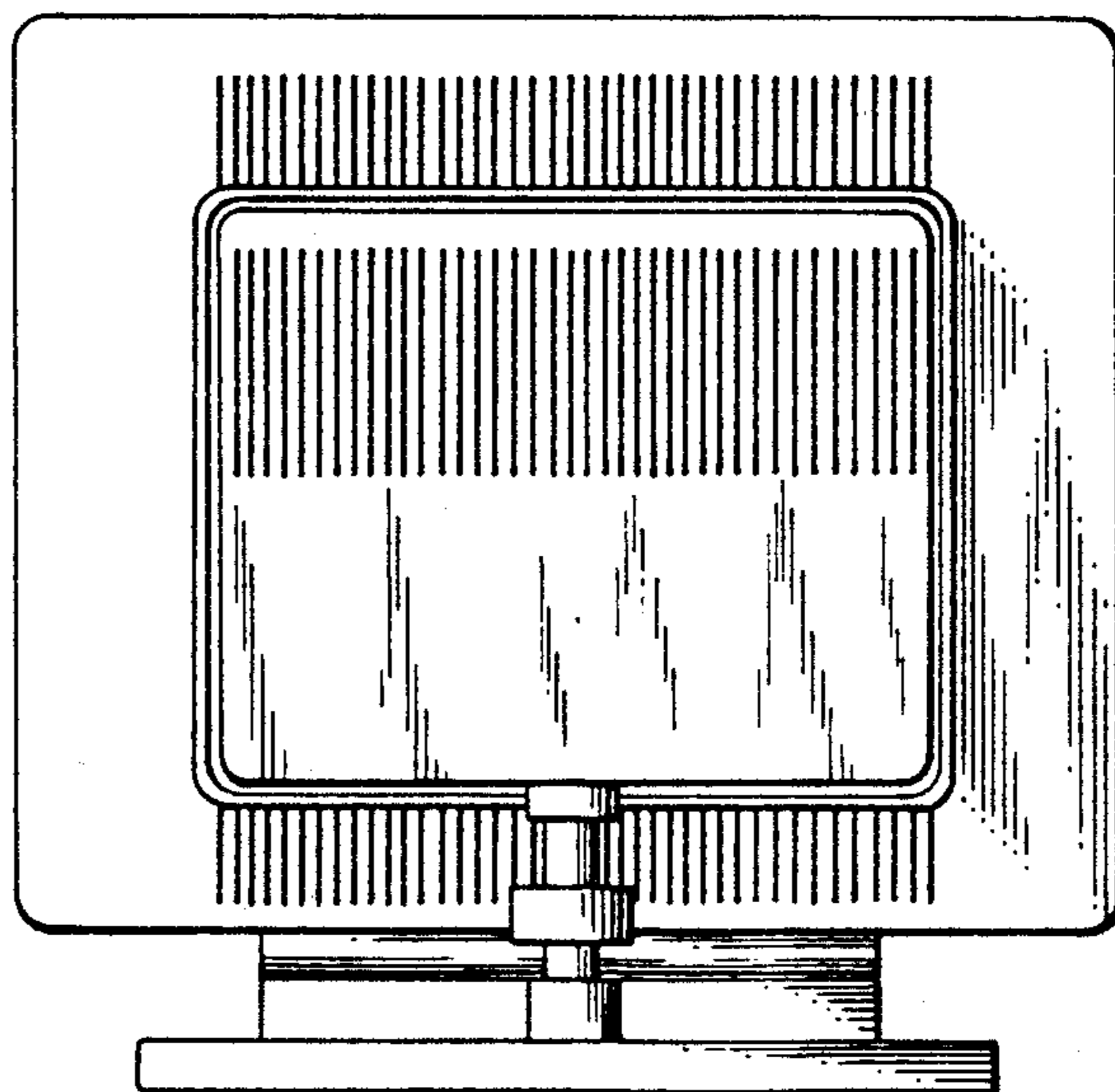


FIG. 4

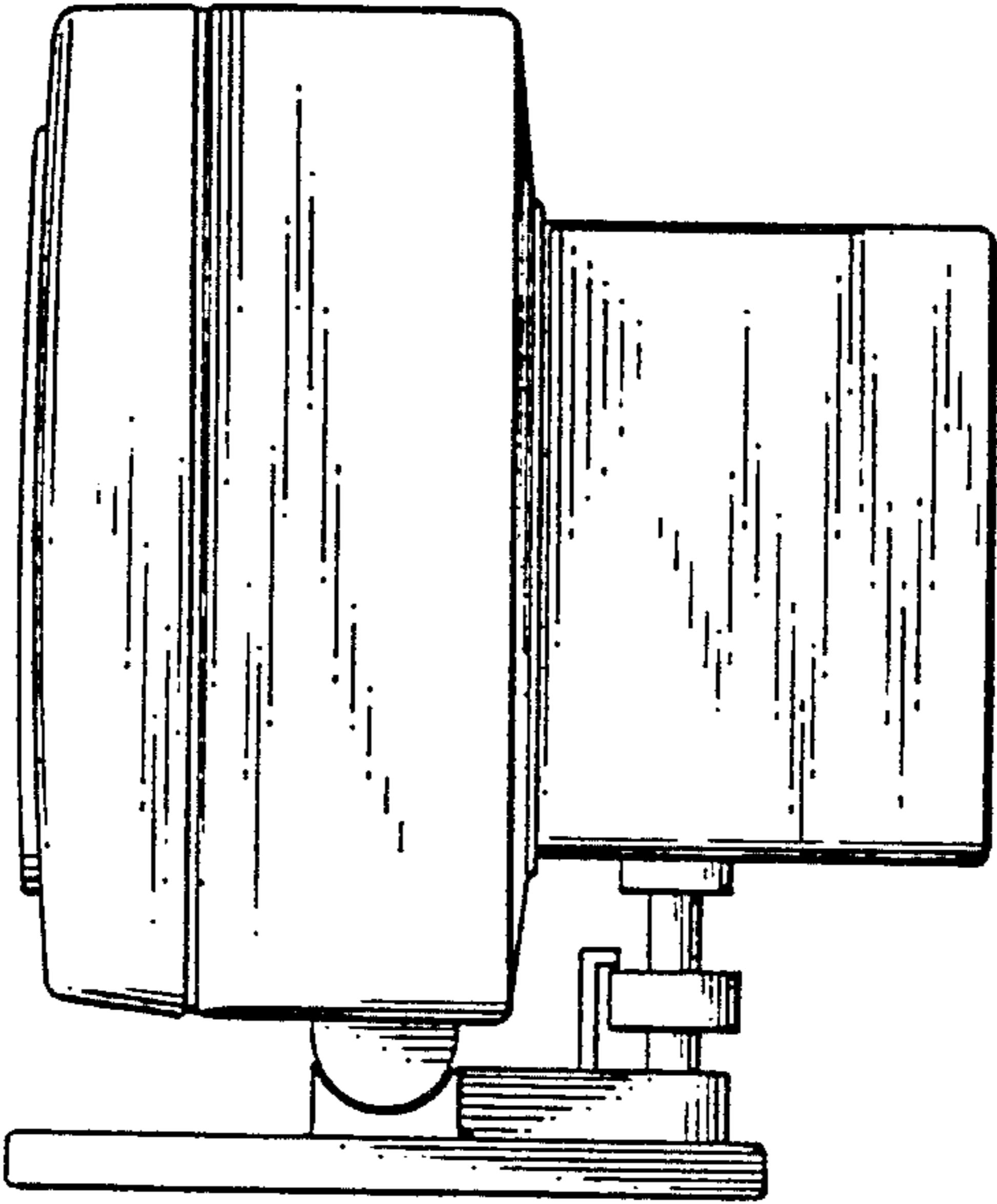


FIG. 5

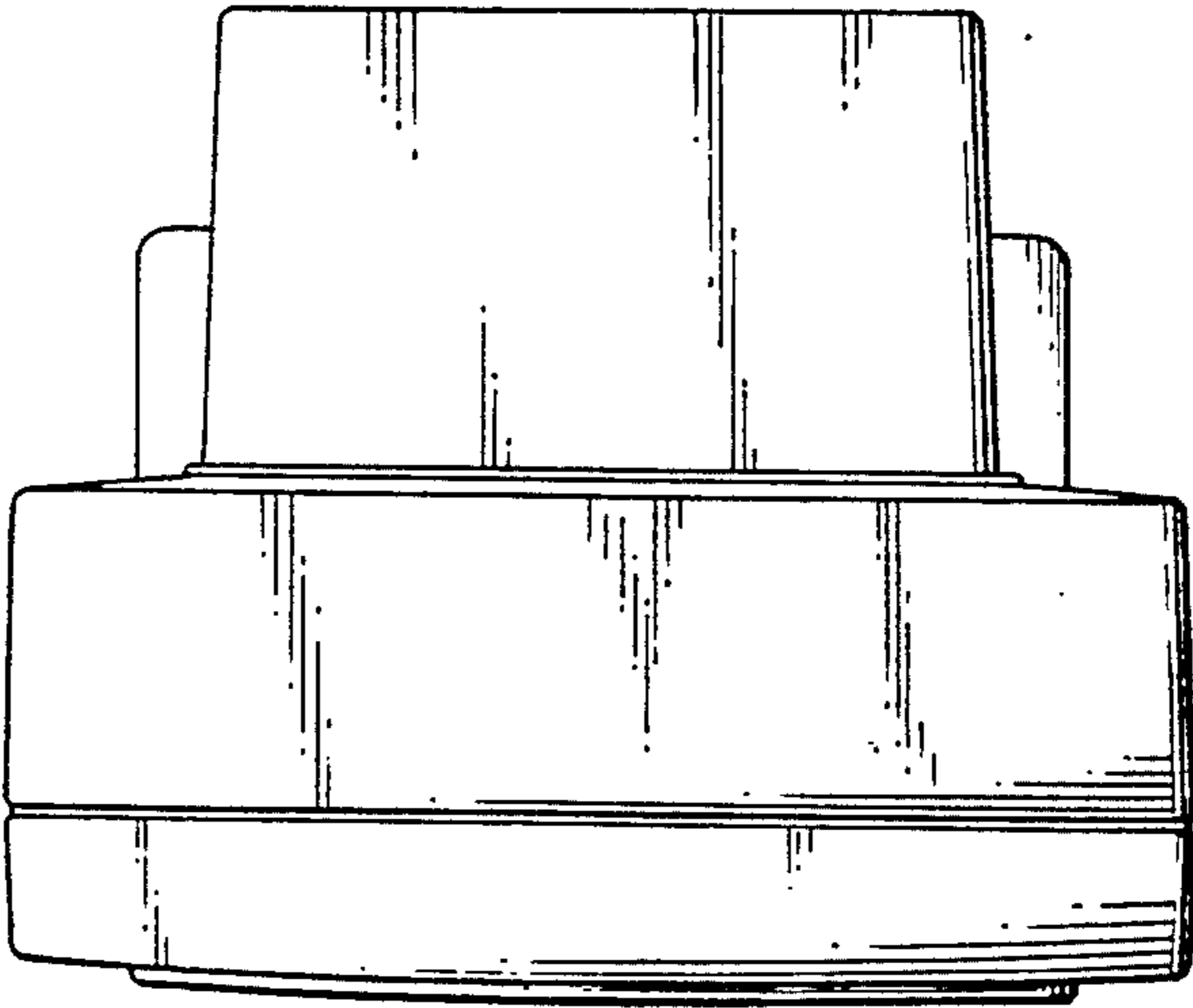


FIG. 6