

[54] **DISPLAY TERMINAL**

[75] **Inventors:** Timothy R. Stern, Southfield, Mich.;
Vladimir Selepouchin, Cedar Grove,
N.J.

[73] **Assignee:** Burroughs Corporation, Detroit,
Mich.

[**] **Term:** 14 Years

[21] **Appl. No.:** 683,683

[22] **Filed:** Dec. 19, 1984

[52] **U.S. Cl.** D14/113

[58] **Field of Search** D14/100, 106, 113, 77,
D14/80, 81, 82, 84; D18/1, 12; 340/700, 711,
720; 358/248, 249, 254; 312/7.2

[56] **References Cited**

U.S. PATENT DOCUMENTS

D. 266,762 11/1982 Gibson D14/113

D. 274,728 7/1984 Shibata D14/113
D. 278,149 3/1985 Naito D14/113

OTHER PUBLICATIONS

IBM Technical Disclosure Bulletin, vol. 23, No. 6,
11-1980, p. 2339, Variable Tilt Gas Panel, Display.

Primary Examiner—Susan J. Lucas
Attorney, Agent, or Firm—Mark T. Starr

[57] **CLAIM**

The ornamental design for a display terminal, as shown
and described.

DESCRIPTION

FIG. 1 is a front, left side perspective view of a display
terminal showing our new design;
FIG. 2 is a rear, left side perspective view thereof on an
enlarged scale;
FIG. 3 is a right side elevational view thereof on a
greatly enlarged scale.

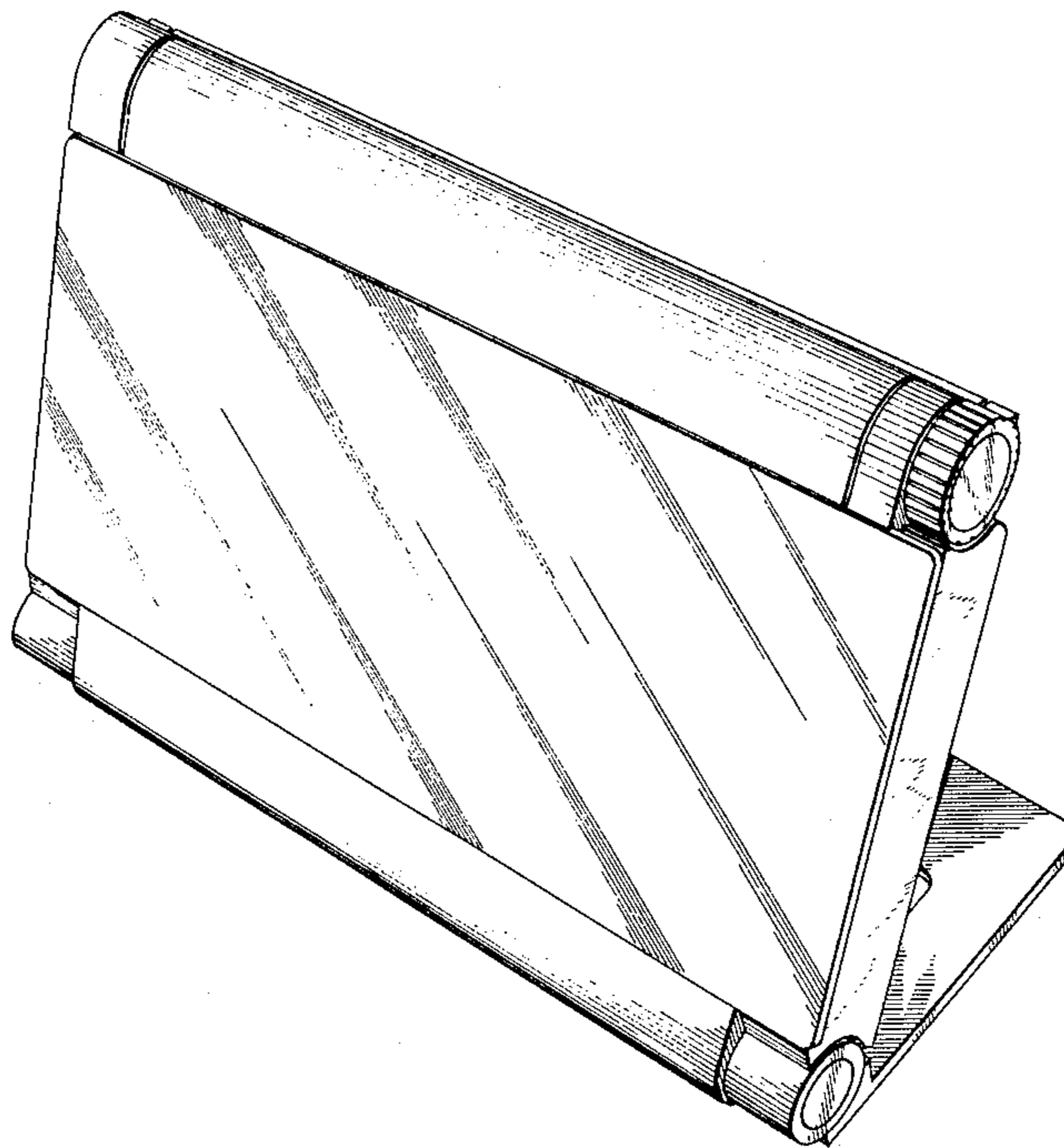
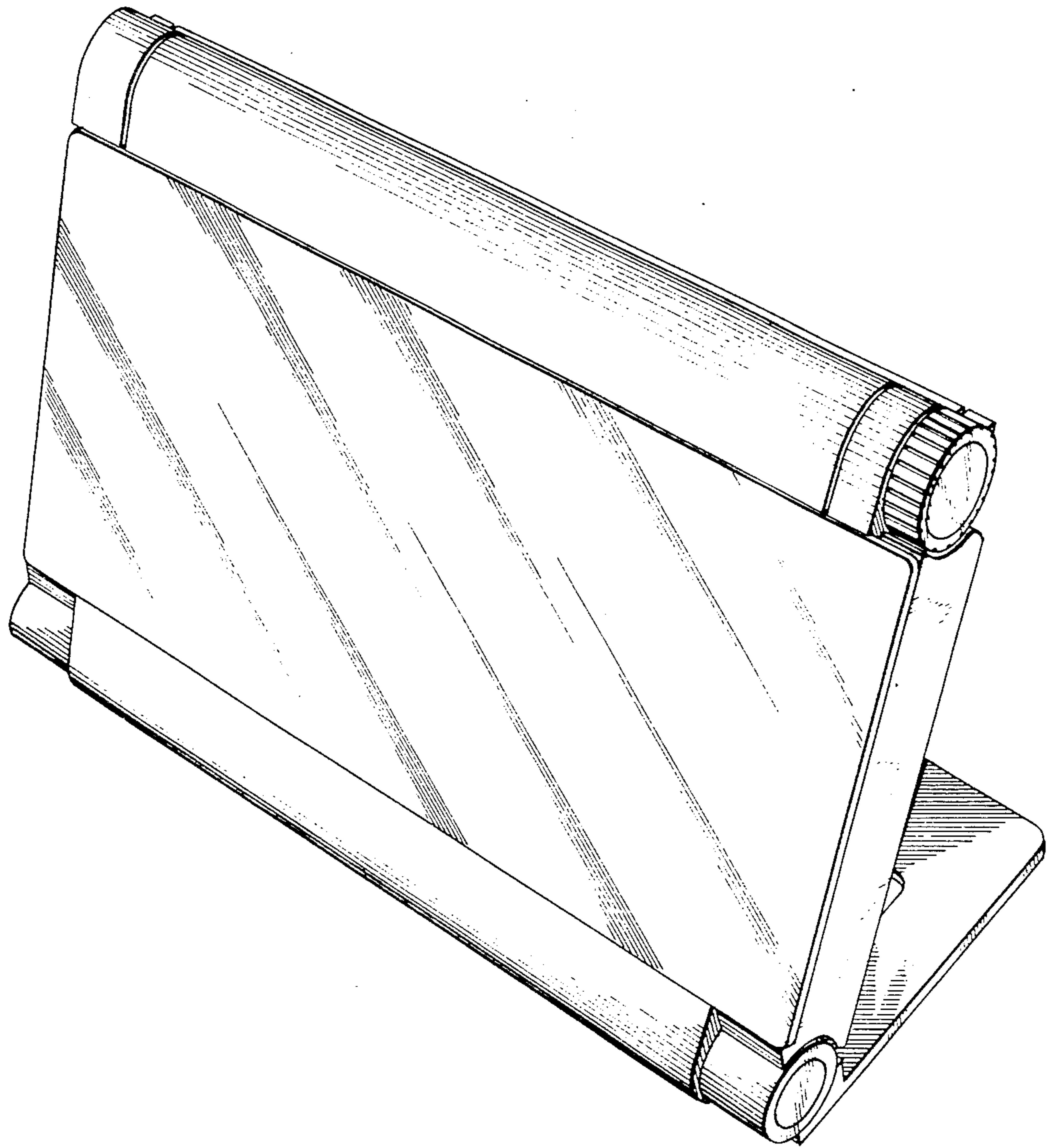


Fig. 1



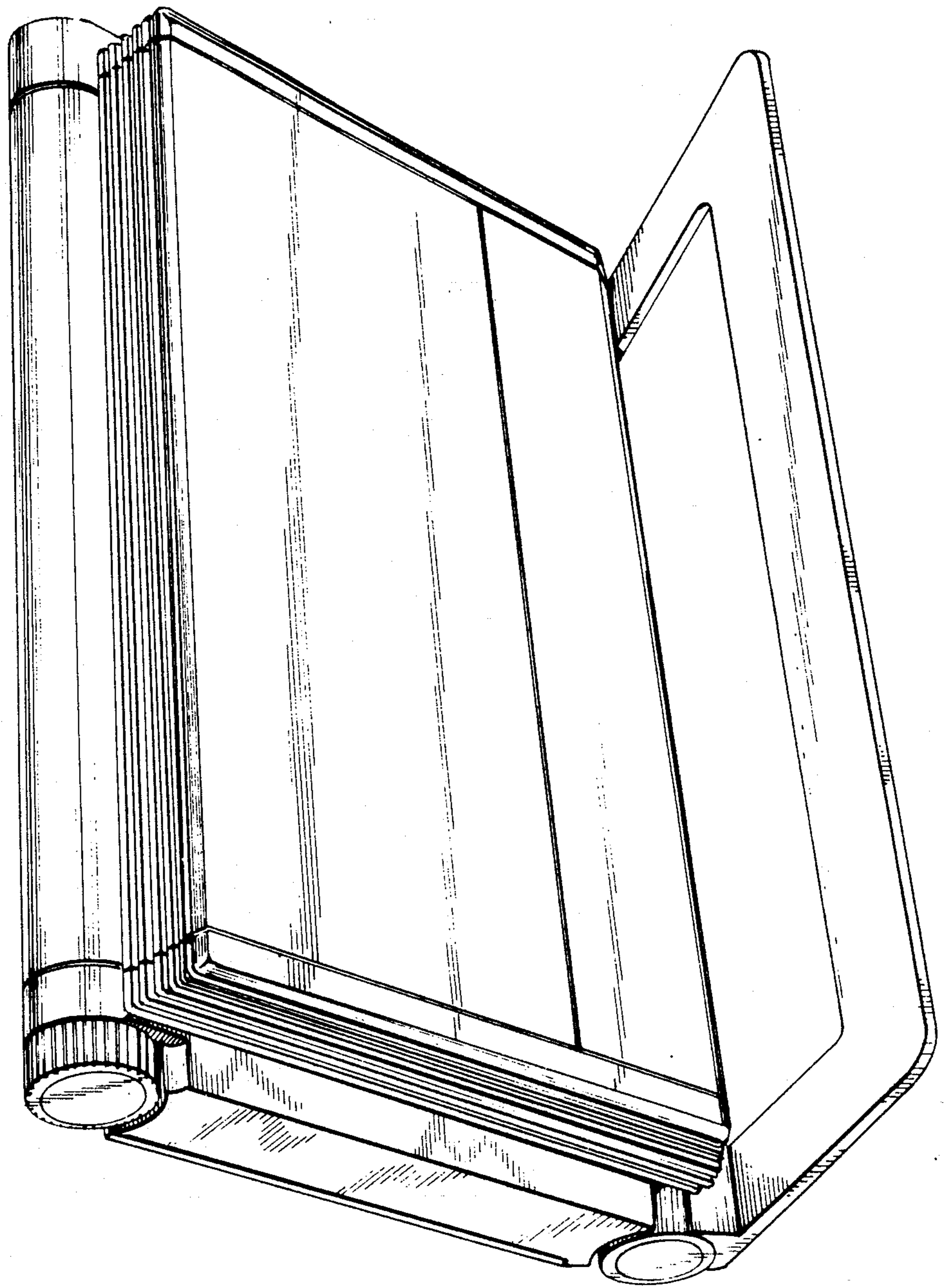


Fig. 2

Fig. 3

