

[54] SPEAKER

[75] Inventors: Akio Tanaka, Aichi; Akira Katsuno, Tokyo, both of Japan

[73] Assignee: Pioneer Electronic Corporation, Tokyo, Japan

[\*\*] Term: 14 Years

[21] Appl. No.: 663,621

[22] Filed: Oct. 22, 1984

[30] Foreign Application Priority Data

Apr. 25, 1984 [JP] Japan ..... 59-16981

[52] U.S. Cl. .... D14/30; D14/34

[58] Field of Search ..... D14/30, 32, 33, 34, D14/39; 181/148, 150, 199; 179/146 E

[56] References Cited

U.S. PATENT DOCUMENTS

D. 273,106 3/1984 Iijima ..... D14/30

D. 276,153 10/1984 Iijima ..... D14/30  
D. 281,241 11/1985 Kawachi ..... D14/30  
D. 281,596 12/1985 Iijima ..... D14/30  
D. 284,281 6/1986 Takagi ..... D14/30

Primary Examiner—Bernard Ansher  
Assistant Examiner—Theodore M. Shooman  
Attorney, Agent, or Firm—Sughrue, Mion, Zinn  
Macpeak & Seas

[57] CLAIM

The ornamental design for a speaker, as shown.

DESCRIPTION

FIG. 1 is a front elevational view of a speaker showing our new design;  
FIG. 2 is a rear elevational view thereof;  
FIG. 3 is a top plan view thereof;  
FIG. 4 is a bottom plan view thereof;  
FIG. 5 is a right side elevational view thereof;  
FIG. 6 is a left side elevational view thereof; and  
FIG. 7 is a top, front and right side perspective view thereof.

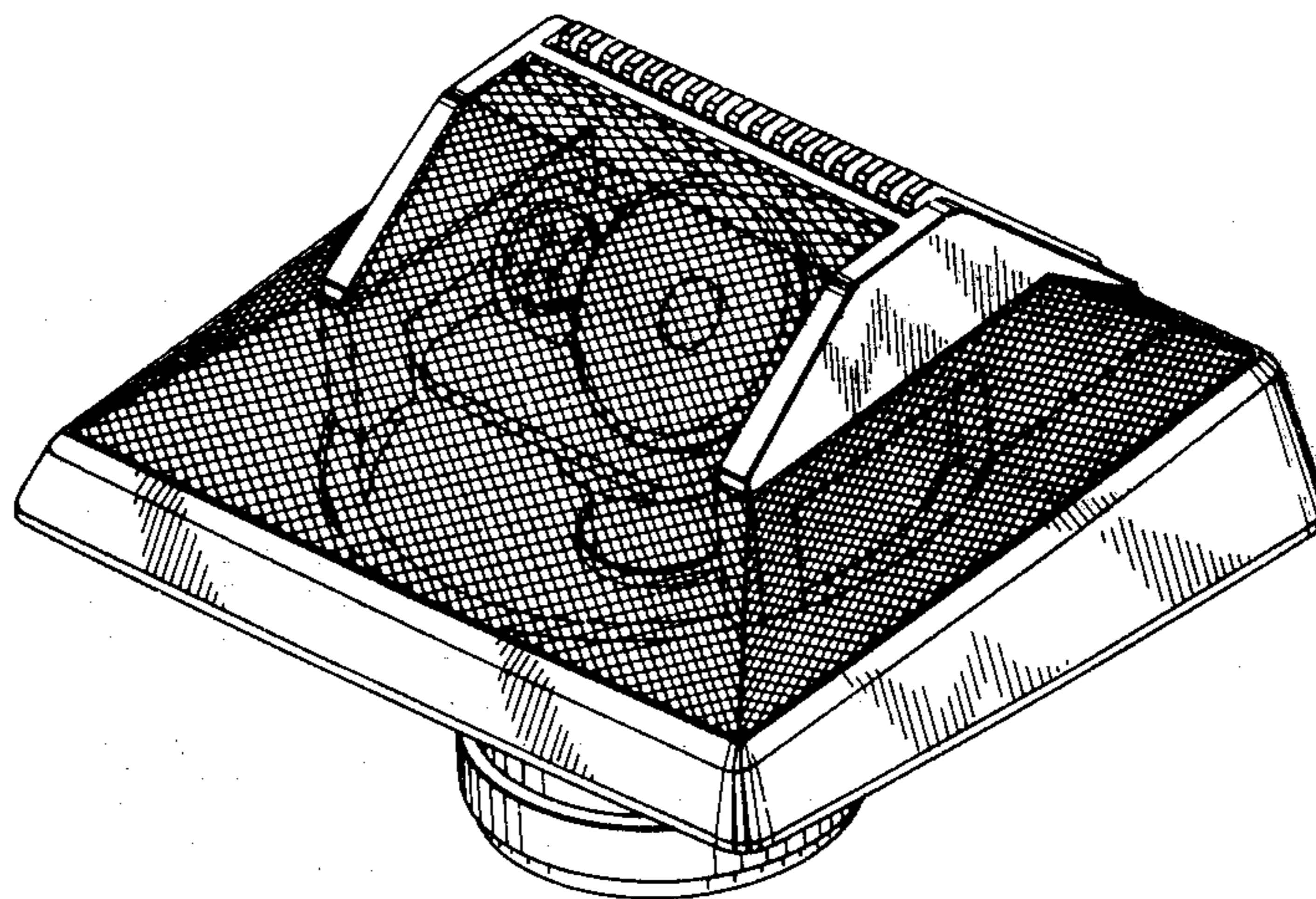


FIG. 1

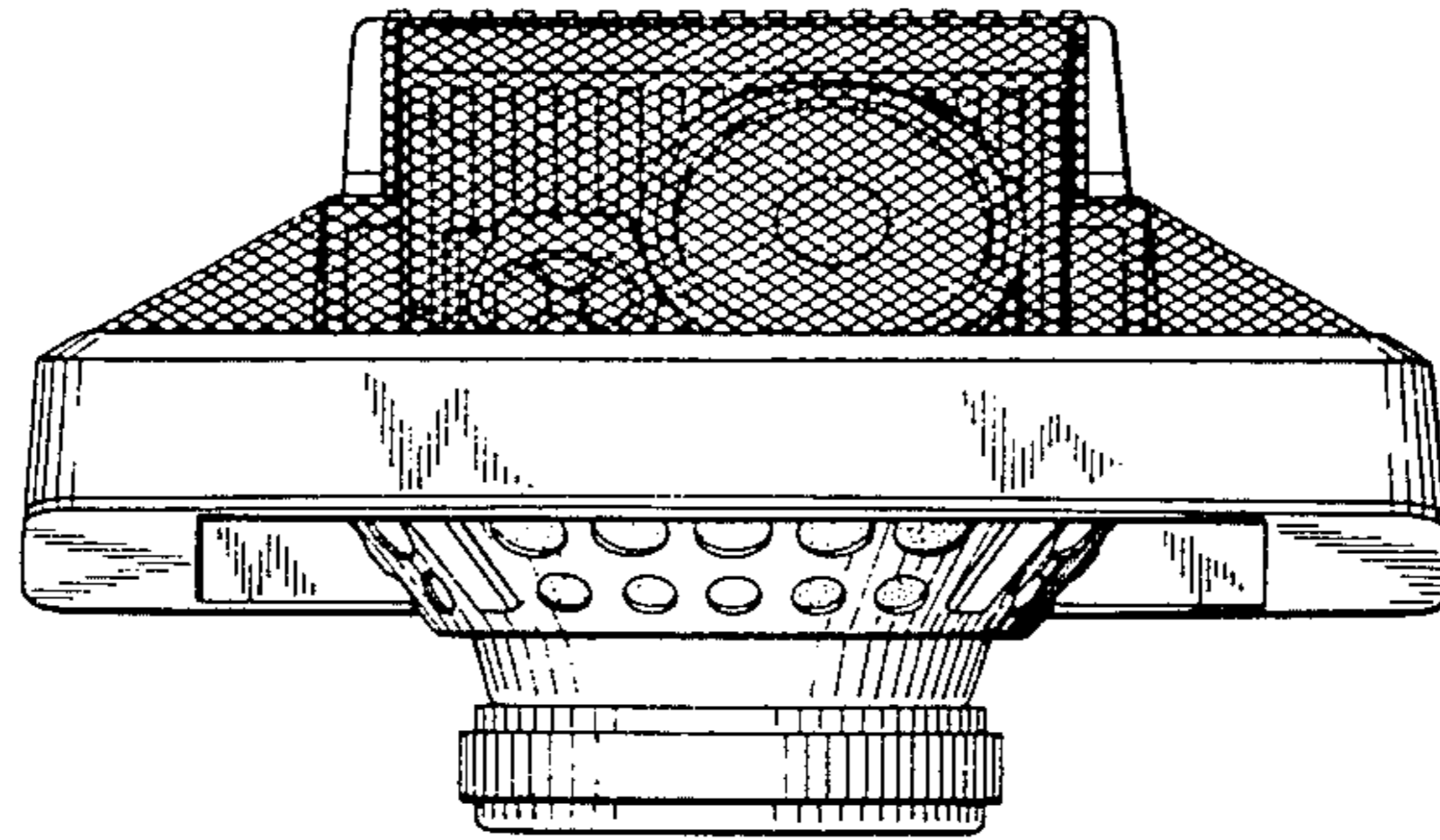


FIG. 2

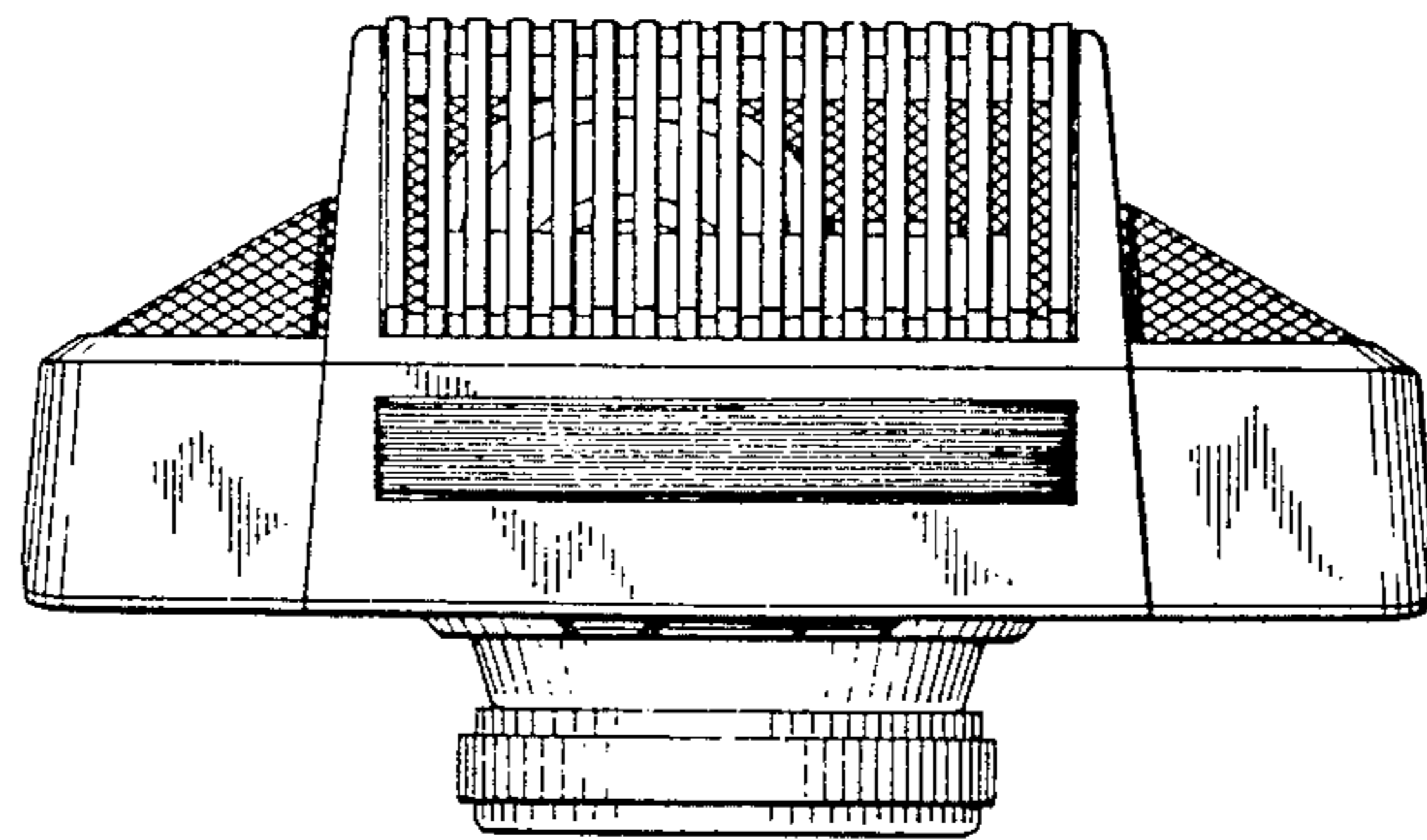


FIG. 3

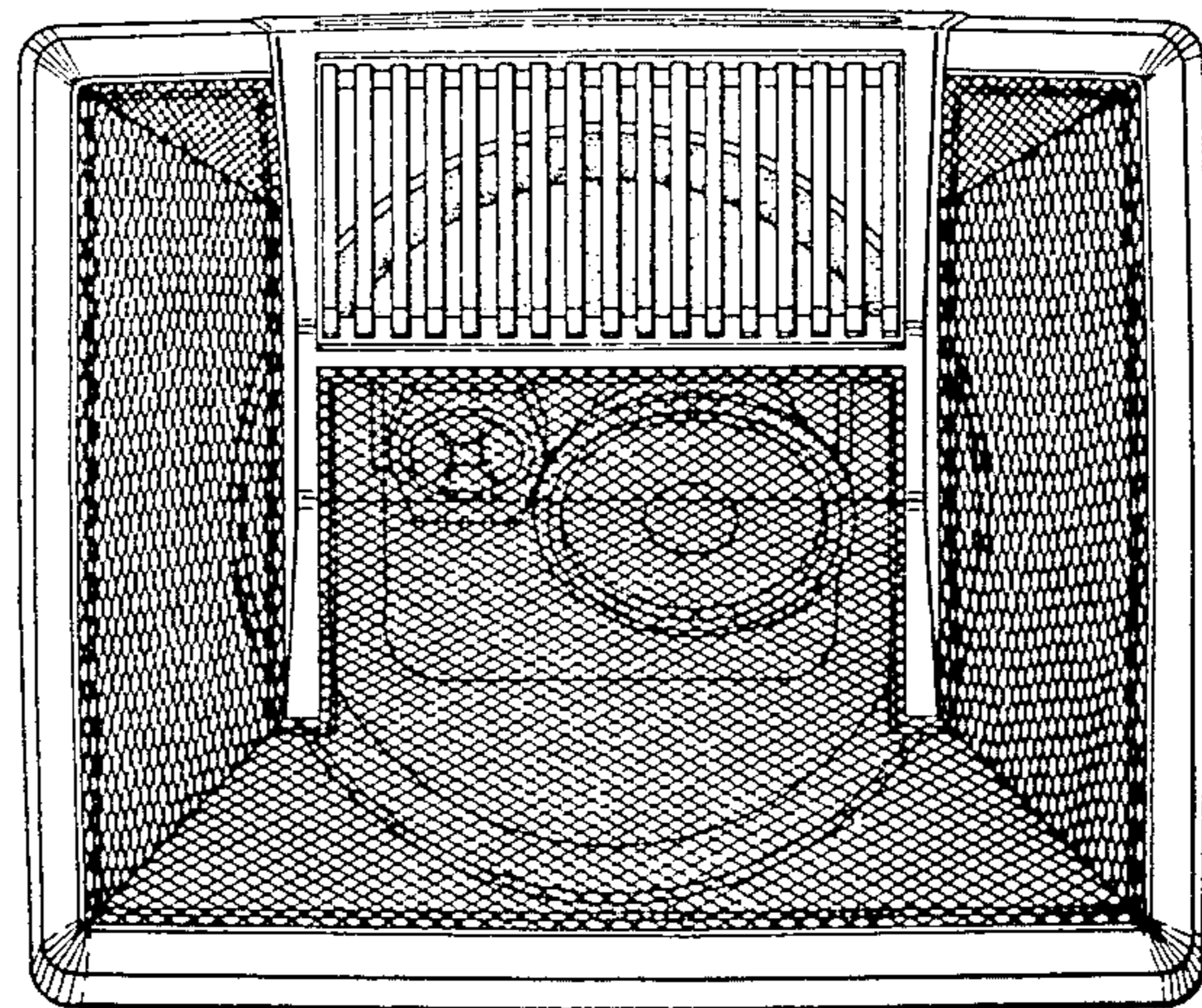




FIG. 4

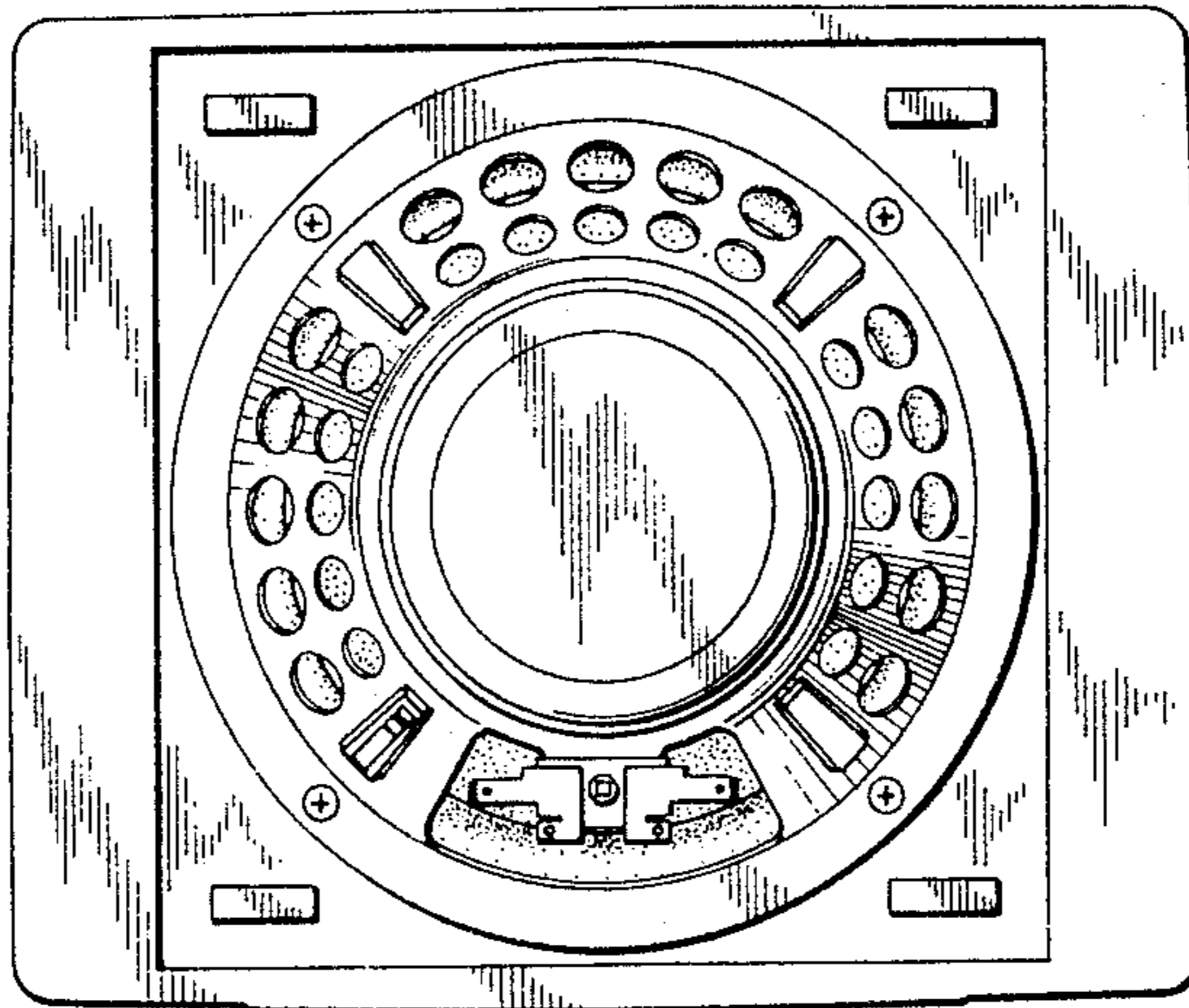


FIG. 6

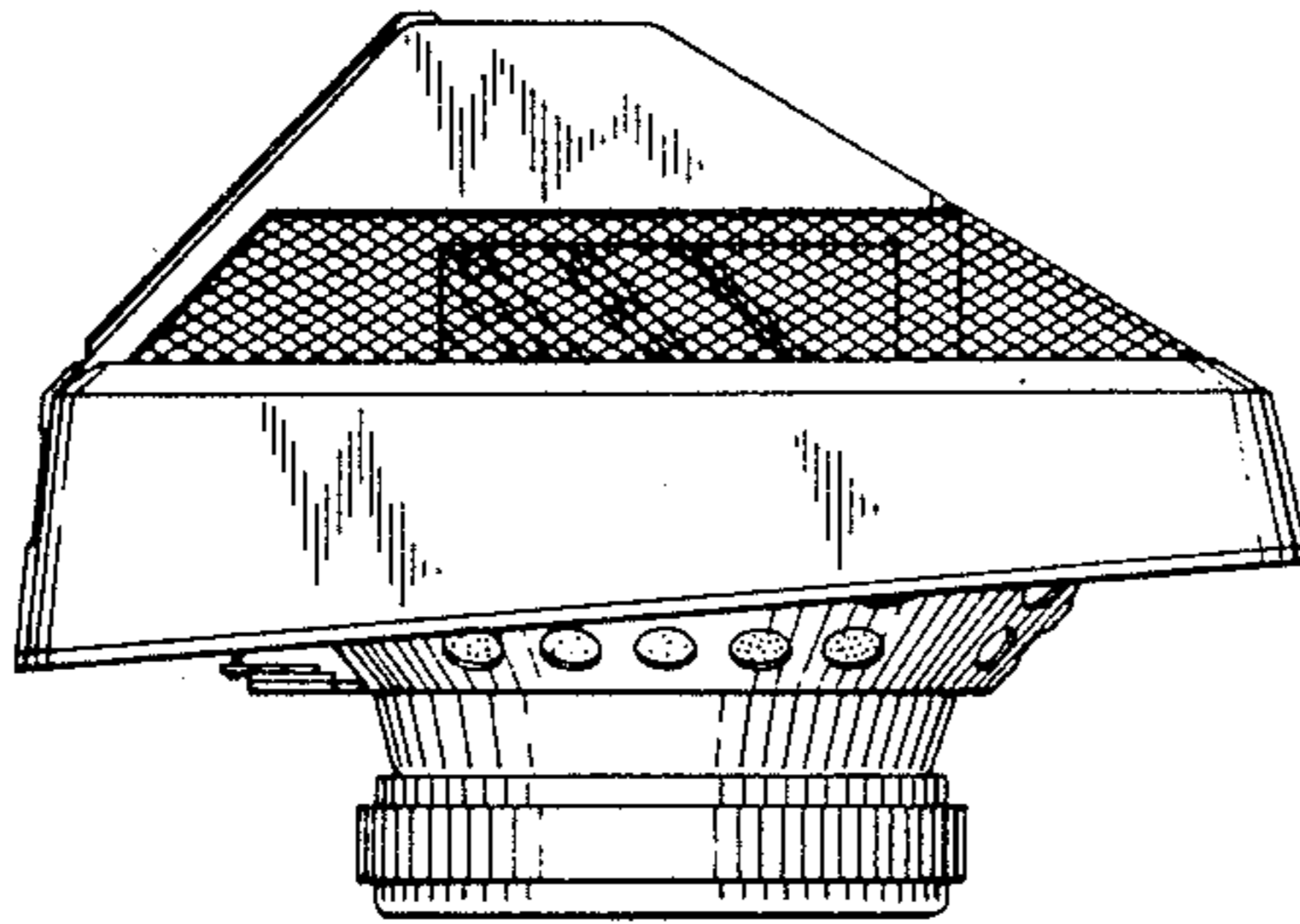


FIG. 5

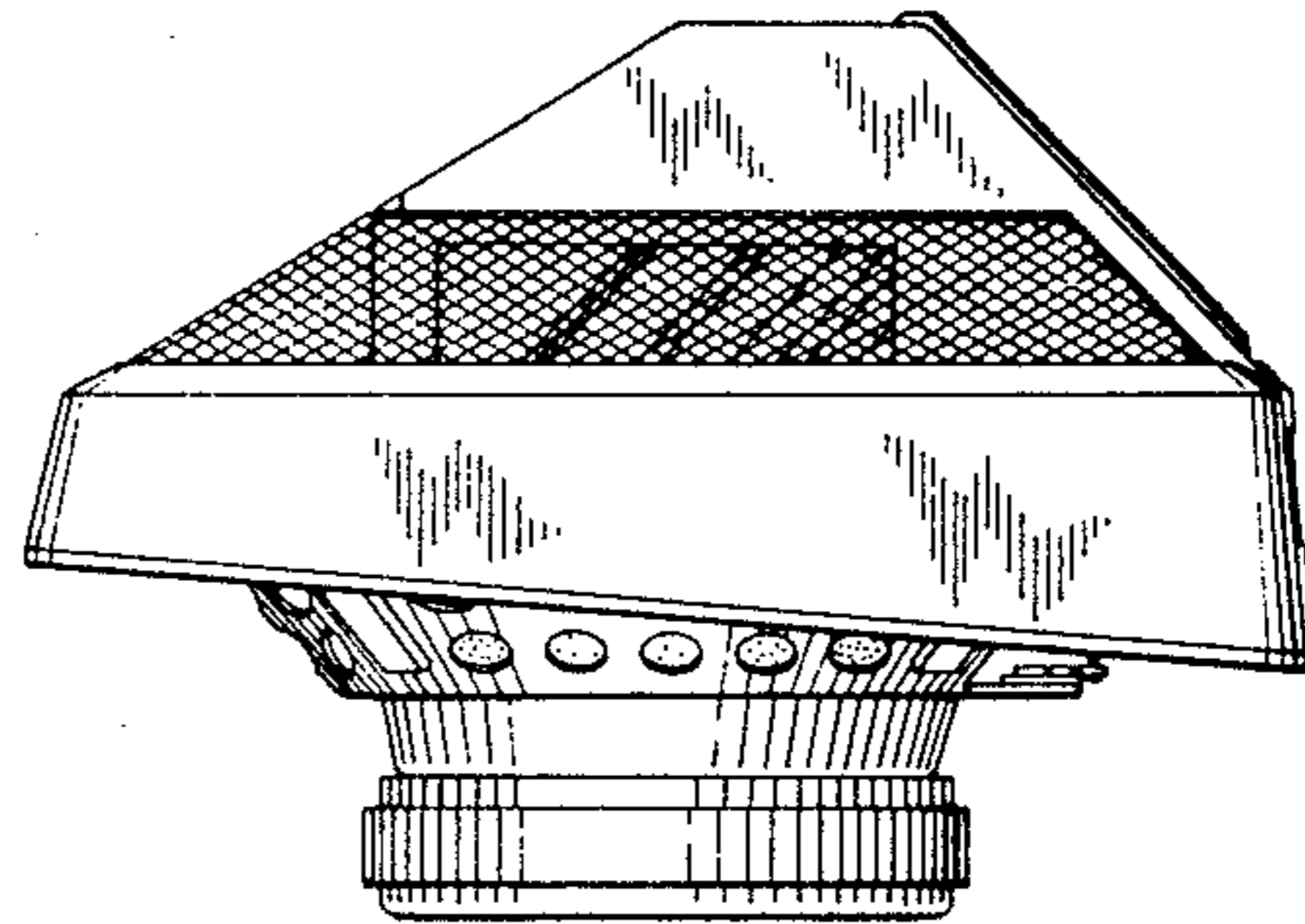


FIG. 7

