

[54] VIDEO CASSETTE RECORDER

[75] Inventor: Peter J. Doodson, Eindhoven, Netherlands

[73] Assignee: U.S. Philips Corporation, New York, N.Y.

[**] Term: 14 Years

[21] Appl. No.: 716,889

[22] Filed: Mar. 27, 1985

[30] Foreign Application Priority Data

Oct. 12, 1984 [GB] United Kingdom 1,022,653

[52] U.S. Cl. D14/2; D14/1; D14/6

[58] Field of Search D14/1, 2, 5, 6, 77-84, D14/99

[56] References Cited

U.S. PATENT DOCUMENTS

- D. 268,263 3/1983 Bullock et al. D14/6
- D. 277,850 3/1985 Miyashita D14/2

D. 286,041 10/1986 Hiraoka et al. D14/1

OTHER PUBLICATIONS

Video Review, Jun. 1982, p. 36, top of page. AIWA Simply Advanced Audio Components brochure, front cover.

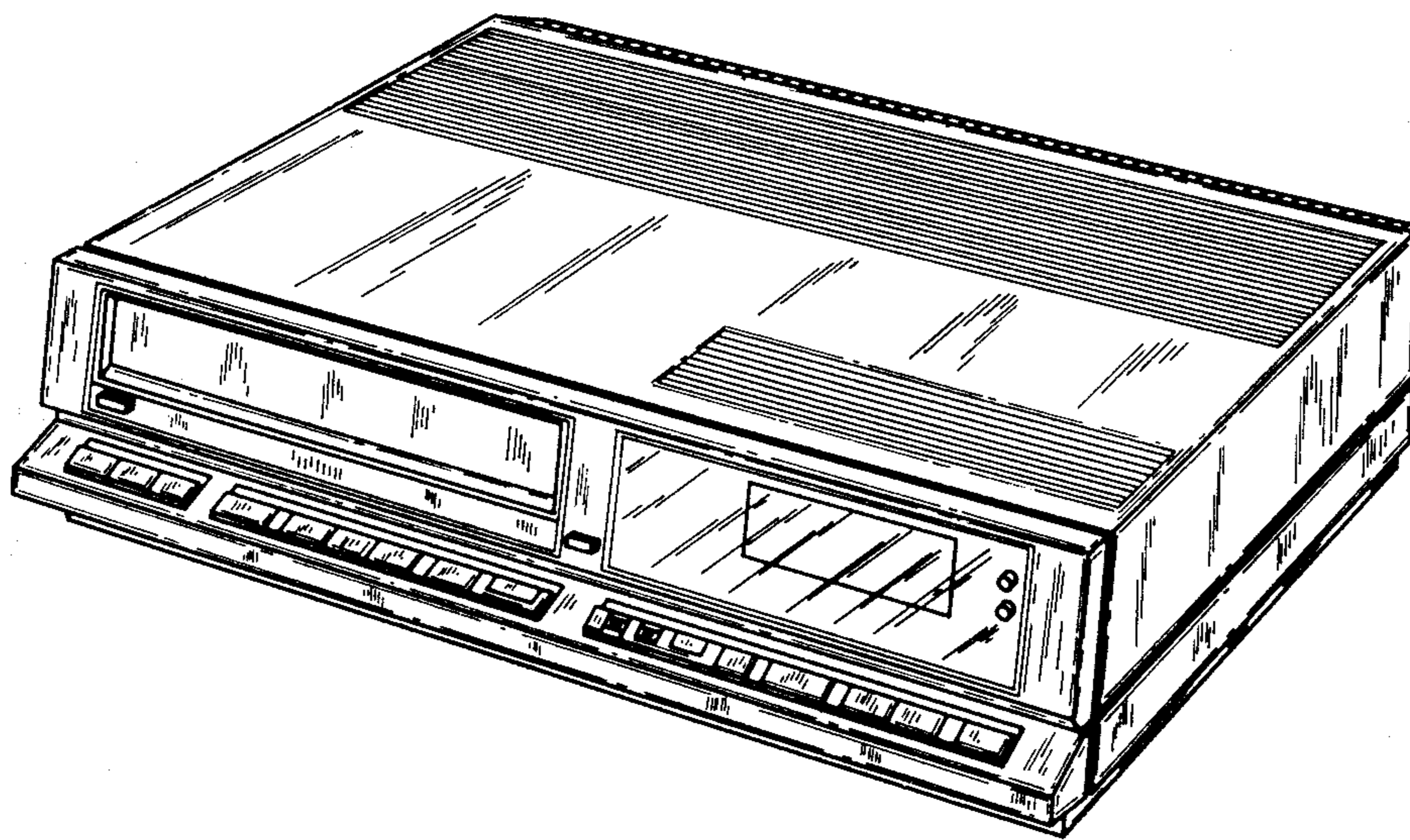
Primary Examiner—George P. Word
Assistant Examiner—Theodore M. Shooman
Attorney, Agent, or Firm—Thomas A. Briody; William J. Streeter; Rolf E. Schneider

[57] CLAIM

The ornamental design for a video cassette recorder, as shown.

DESCRIPTION

FIG. 1 is a front, top and right side perspective view of a video cassette recorder showing my new design; FIG. 2 is a front elevational view thereof; FIG. 3 is a rear elevational view thereof; FIG. 4 is a top plan view thereof; FIG. 5 is a bottom plan view thereof; FIG. 6 is a right side elevational view thereof; and FIG. 7 is a left side elevational view thereof.



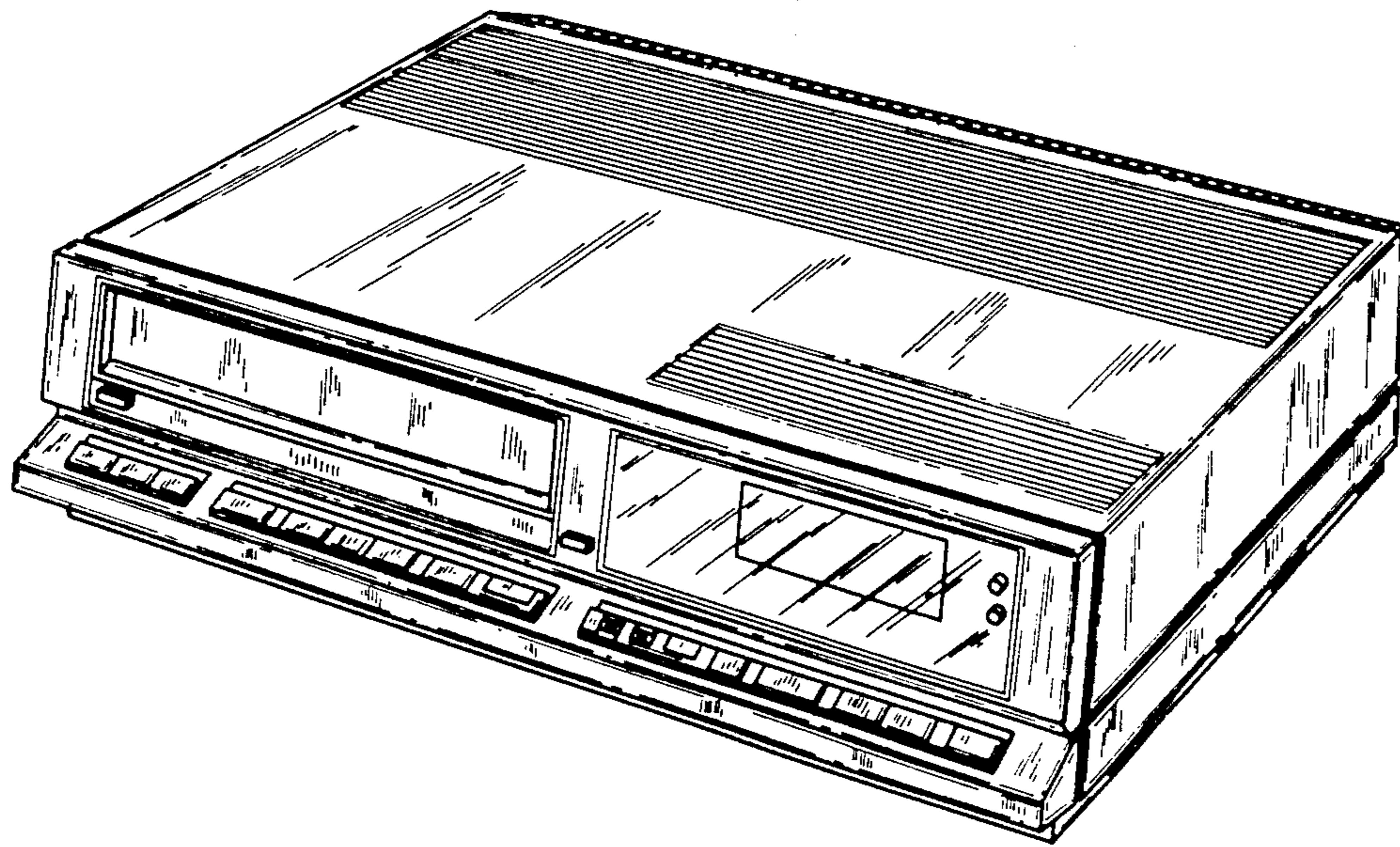


FIG. 1

FIG. 2

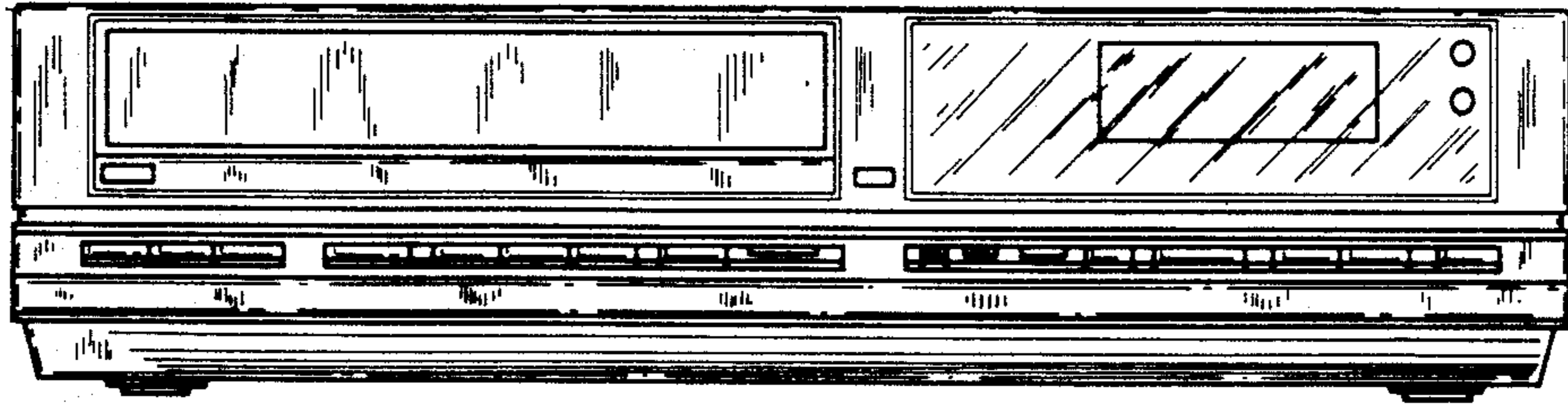


FIG. 3

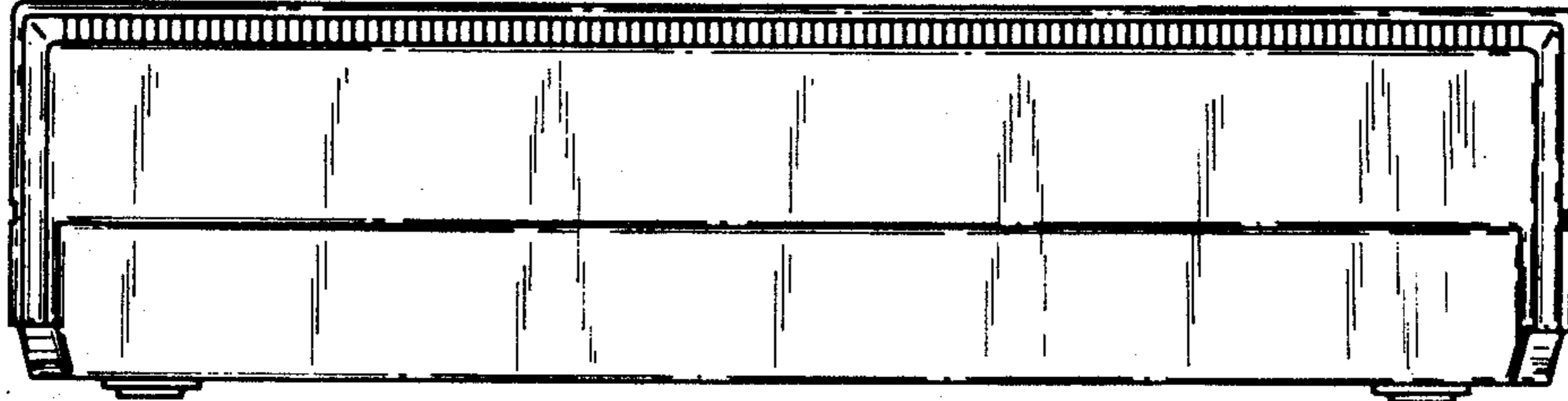


FIG. 4

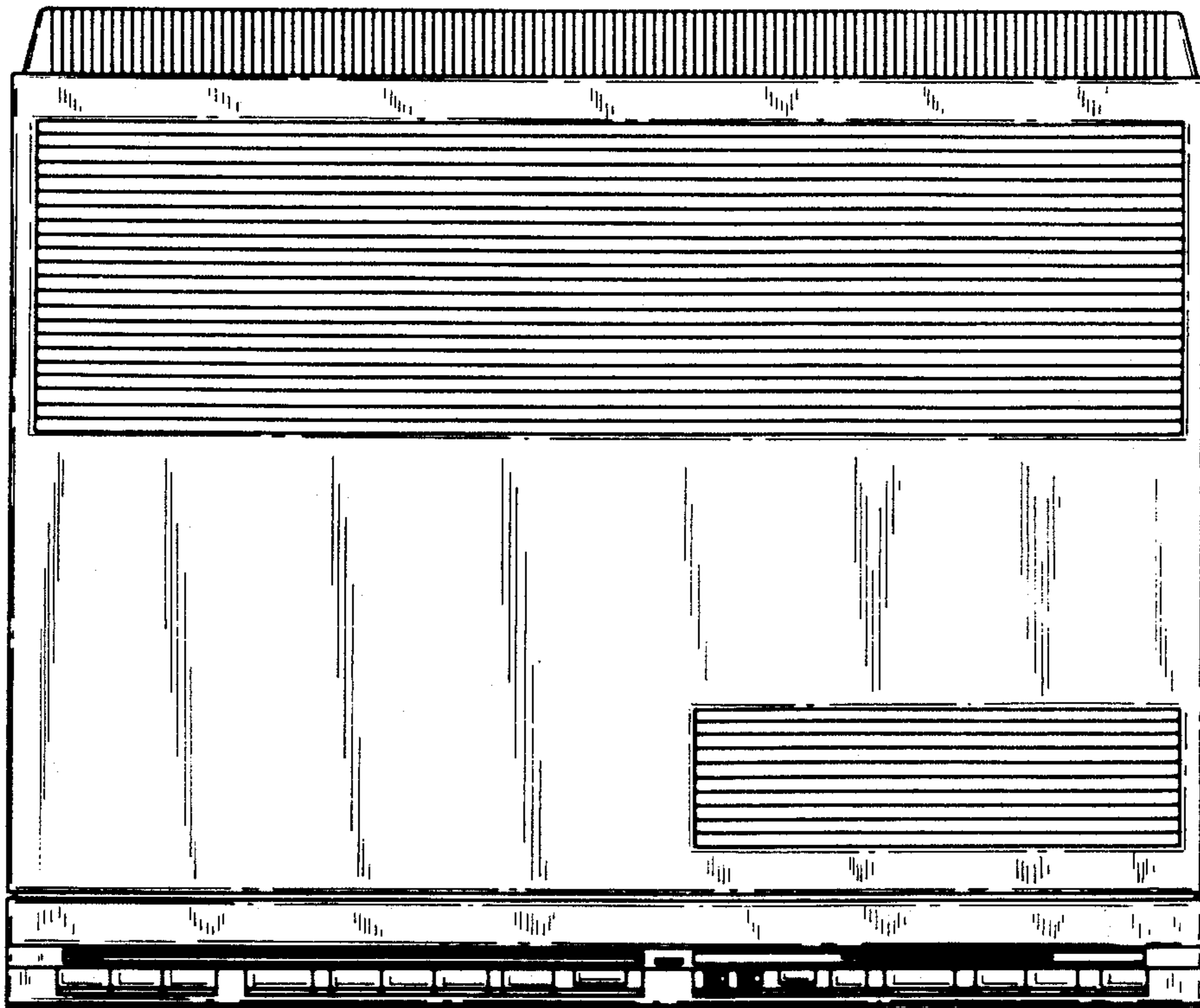


FIG. 5

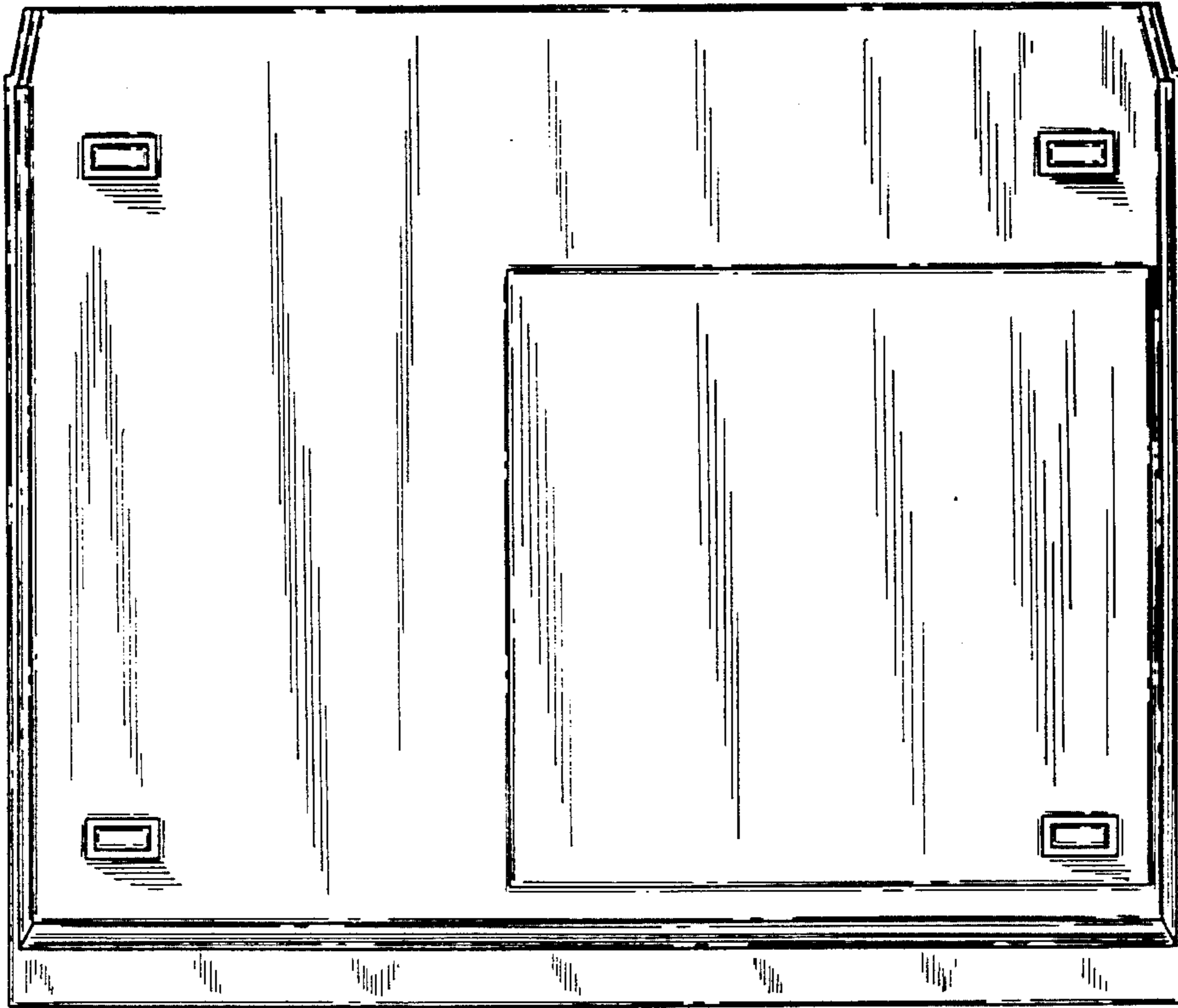


FIG. 6

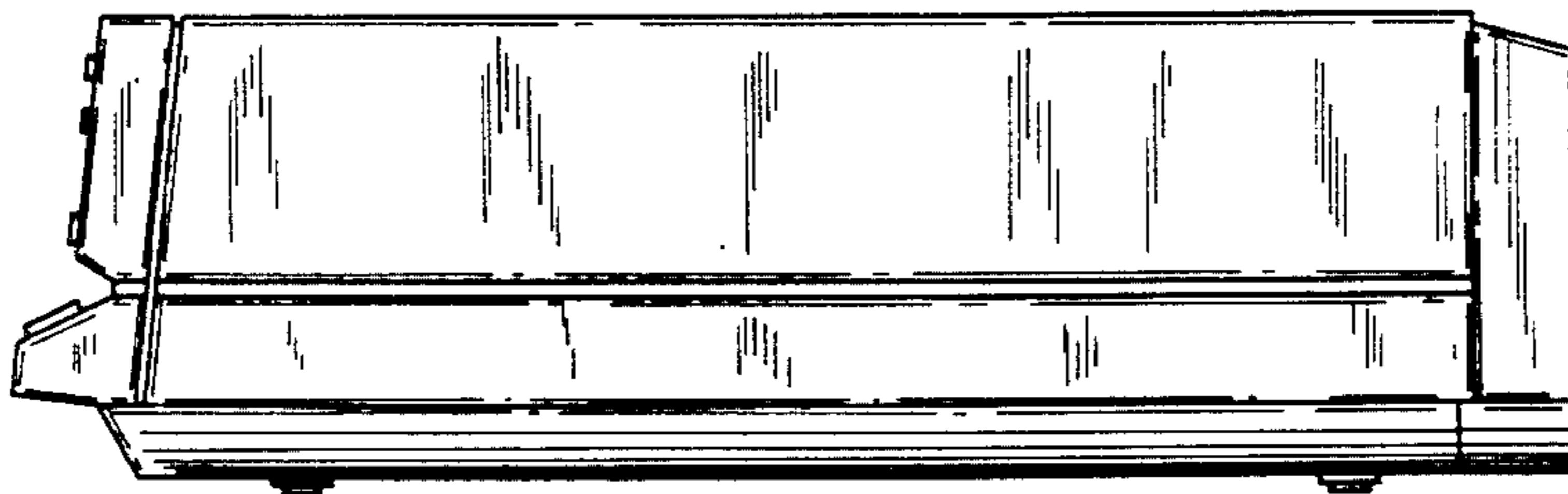


FIG. 7

