

[54] HYDRAULIC WRECKER AND BOOM HOUSING

[75] Inventor: Fleming V. Cannon, Jr., Flintstone, Ga.

[73] Assignee: Dover Corporation, Chattanooga, Tenn.

[**] Term: 14 Years

[21] Appl. No.: 681,900

[22] Filed: Dec. 14, 1984

[52] U.S. Cl. D12/14

[58] Field of Search D12/14, 13; D34/33, D34/34, 35, 36; 414/563; 280/402

[56] References Cited

U.S. PATENT DOCUMENTS

- D. 252,921 9/1979 Nespor D12/14
- 4,383,792 5/1983 Seabloom et al. 280/402

- 4,383,807 5/1983 Bulik 414/563
- 4,543,030 9/1985 Hawkins 414/563
- 4,563,018 1/1986 Stage et al. 414/563
- 4,600,353 7/1986 Phillip, Jr. 414/563

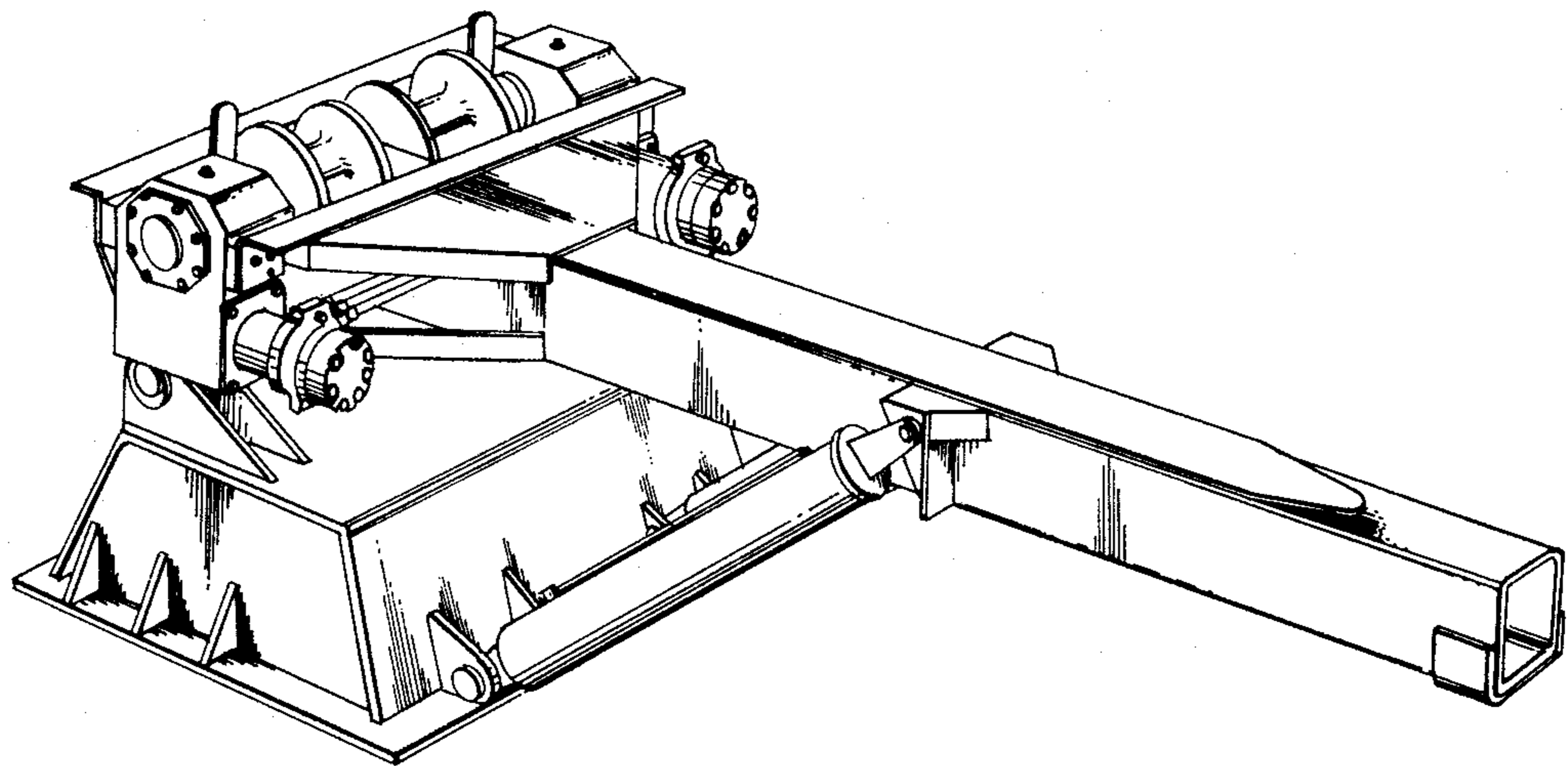
Primary Examiner—James M. Gandy
Assistant Examiner—Kay H. Chin
Attorney, Agent, or Firm—Alan Ruderman

[57] CLAIM

The ornamental design for a hydraulic wrecker and boom housing, substantially as shown.

DESCRIPTION

FIG. 1 is a rear perspective view of a hydraulic wrecker and boom housing embodying my new design; FIG. 2 is a top plan view thereof; FIG. 3 is a rear elevational view thereof; FIG. 4 is one side elevational view thereof; FIG. 5 is a front elevational view thereof; and FIG. 6 is the other side elevational view thereof.



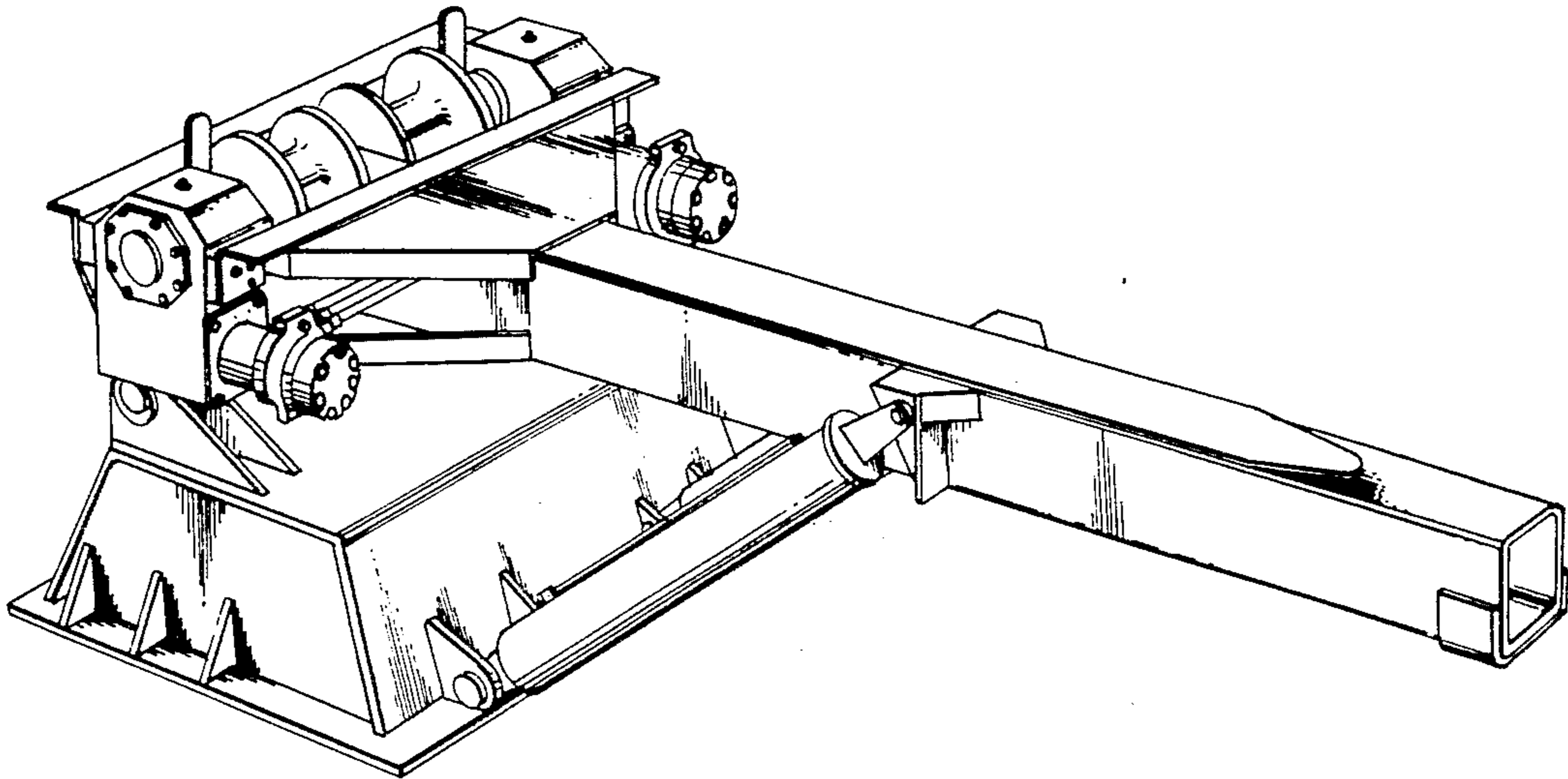


FIG. 1

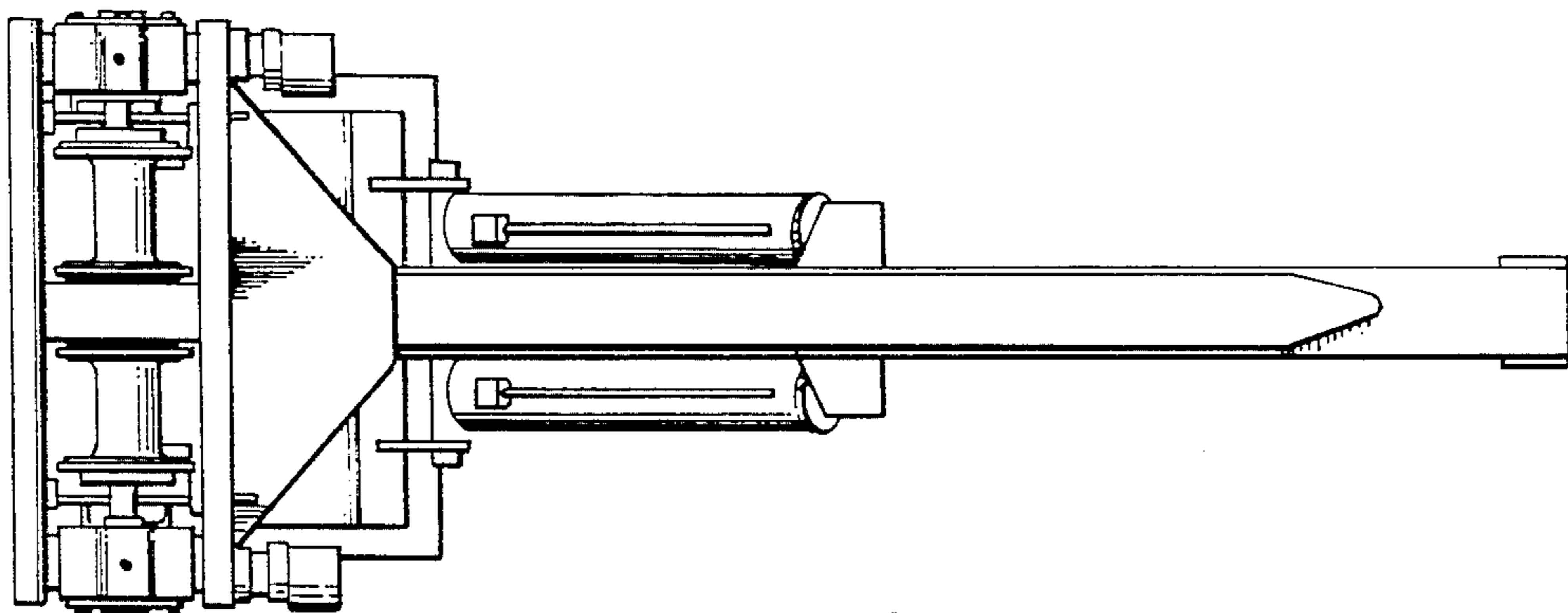


FIG. 2

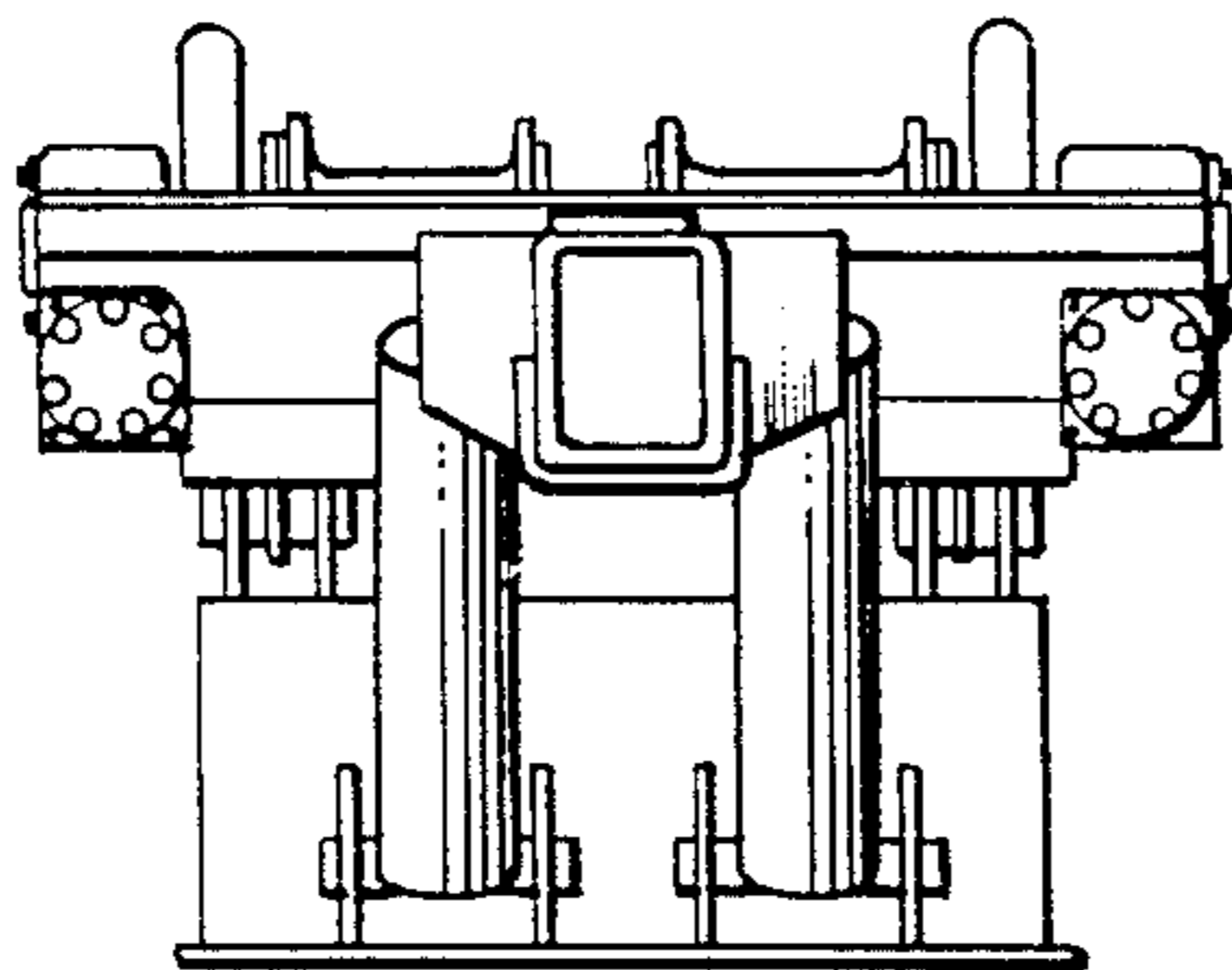


FIG. 3

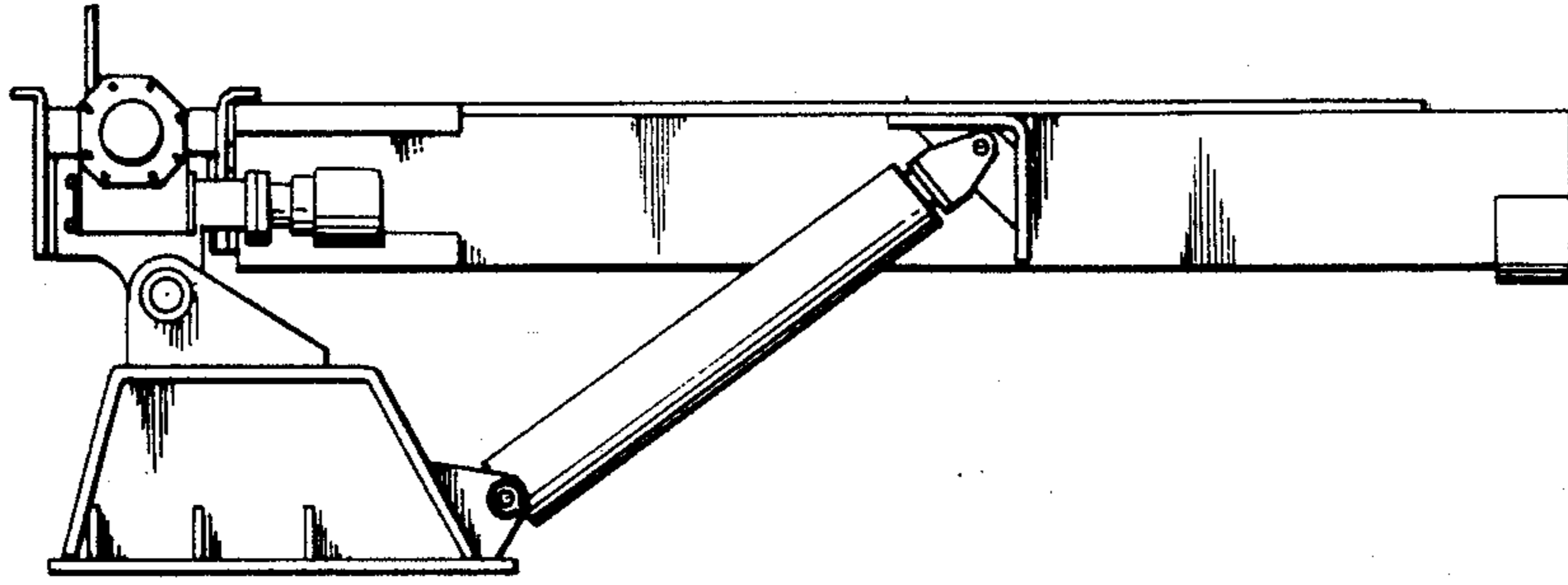


FIG. 4

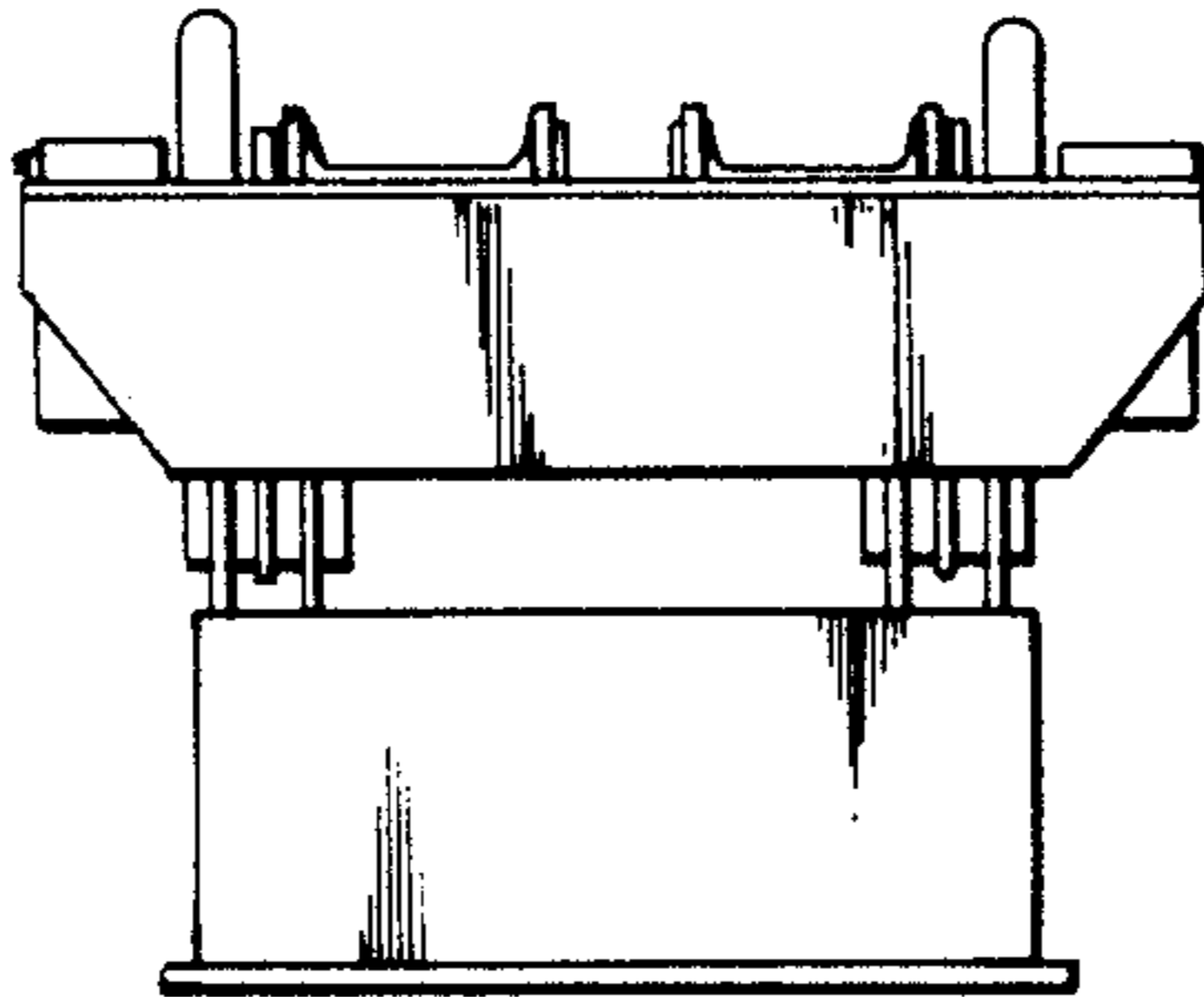


FIG. 5

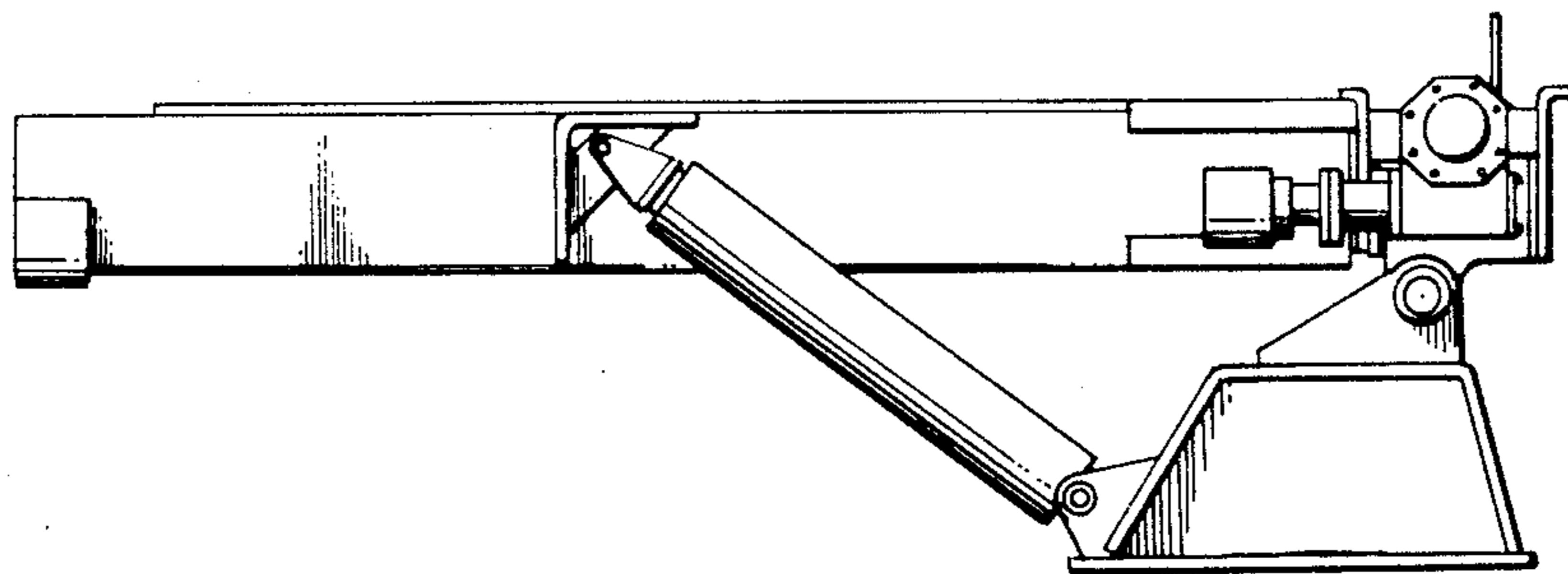


FIG. 6