

[54] **FOOD PROCESSOR**

[75] Inventors: **Franz A. Stutzer; Michael Knochner,**  
both of Offenbach am Main, Fed.  
Rep. of Germany

[73] Assignee: **Rowenta-Werke GmbH,** Offenbach  
am Main, Fed. Rep. of Germany

[\*\*] Term: **14 Years**

[21] Appl. No.: **675,674**

[22] Filed: **Nov. 28, 1984**

[30] **Foreign Application Priority Data**

Jul. 10, 1984 [DE] Fed. Rep. of Germany ... 5MR 10542

[52] U.S. Cl. .... **D7/384; D7/383**

[58] Field of Search ..... **D7/376-386,**  
**D7/412; 241/92, 93, 37.5, 282.1, 282.2**

[56] **References Cited**

**U.S. PATENT DOCUMENTS**

D. 256,318 8/1980 Levin ..... D7/384

|            |         |                       |             |
|------------|---------|-----------------------|-------------|
| D. 267,538 | 1/1983  | Steinkamp et al. .... | D7/386      |
| D. 272,120 | 1/1984  | Sawada et al. ....    | D7/384      |
| 4,111,372  | 9/1978  | Hicks et al. ....     | 241/282.1 X |
| 4,113,188  | 9/1978  | Belinkoff .....       | 241/92 X    |
| 4,184,641  | 1/1980  | Coggiola .....        | 241/282.1 X |
| 4,226,373  | 10/1980 | Williams .....        | 241/282.1 X |

*Primary Examiner*—Bernard Ansher

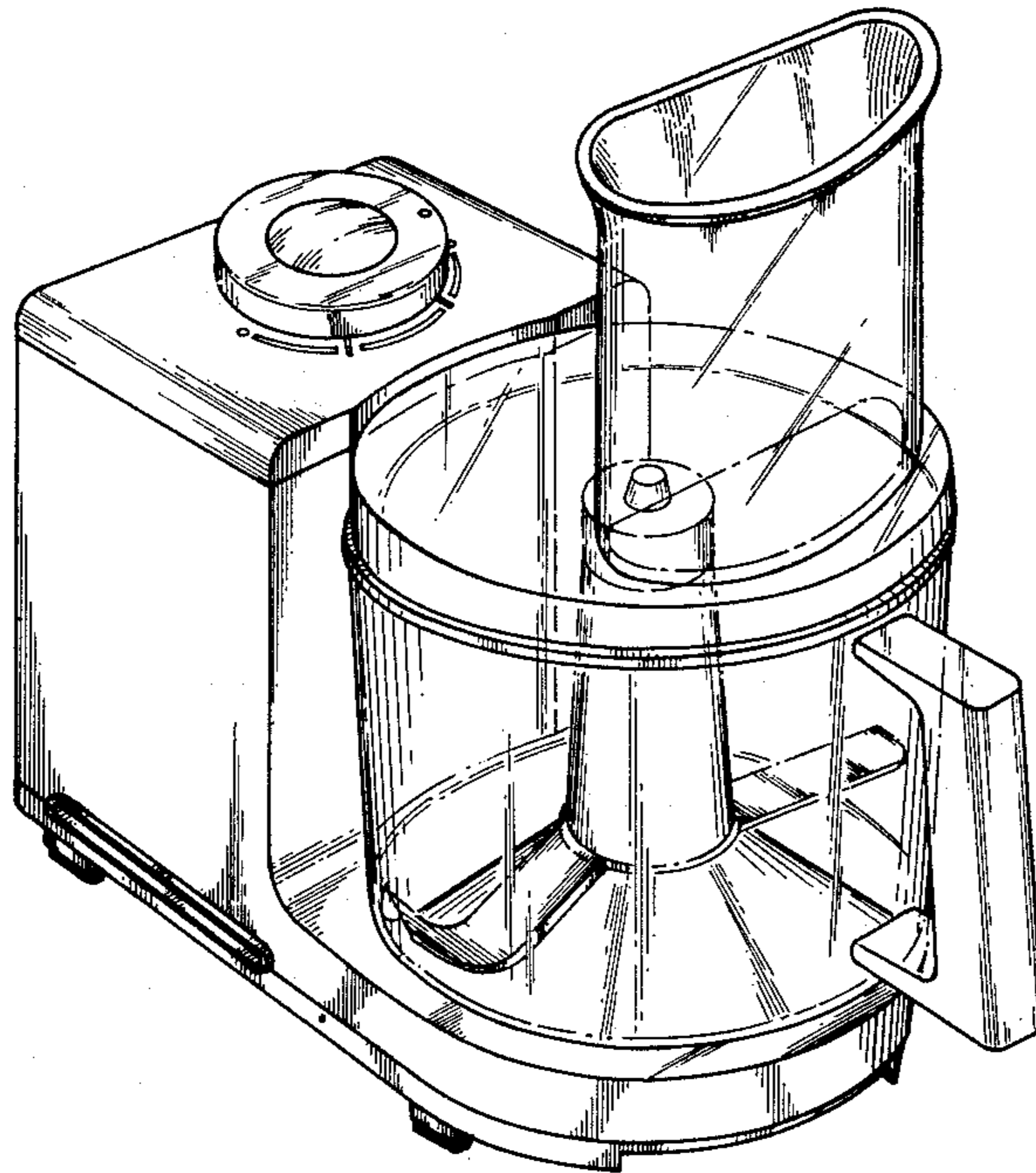
*Assistant Examiner*—Linda Titolo

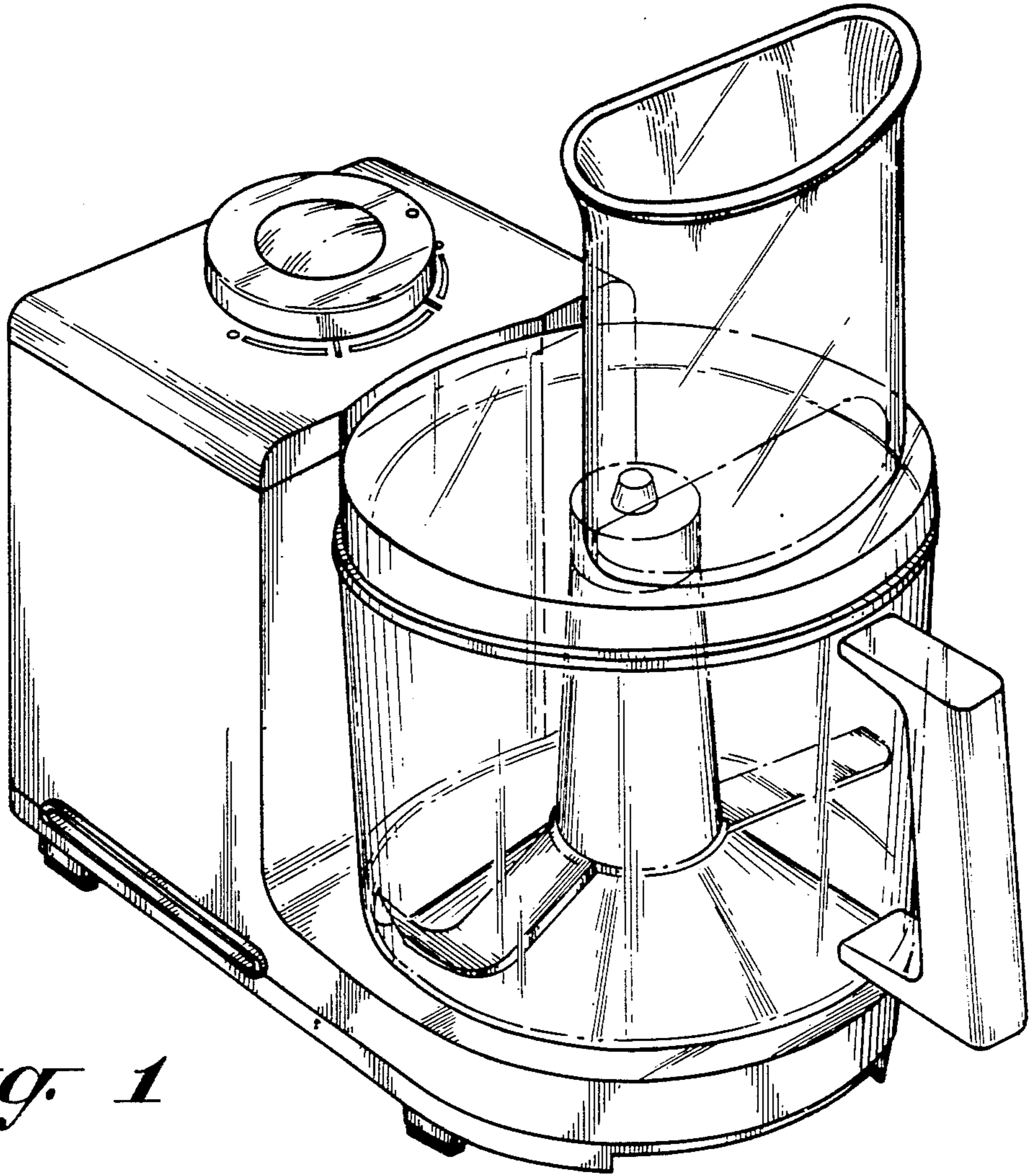
[57] **CLAIM**

The ornamental design for a food processor, as shown and described.

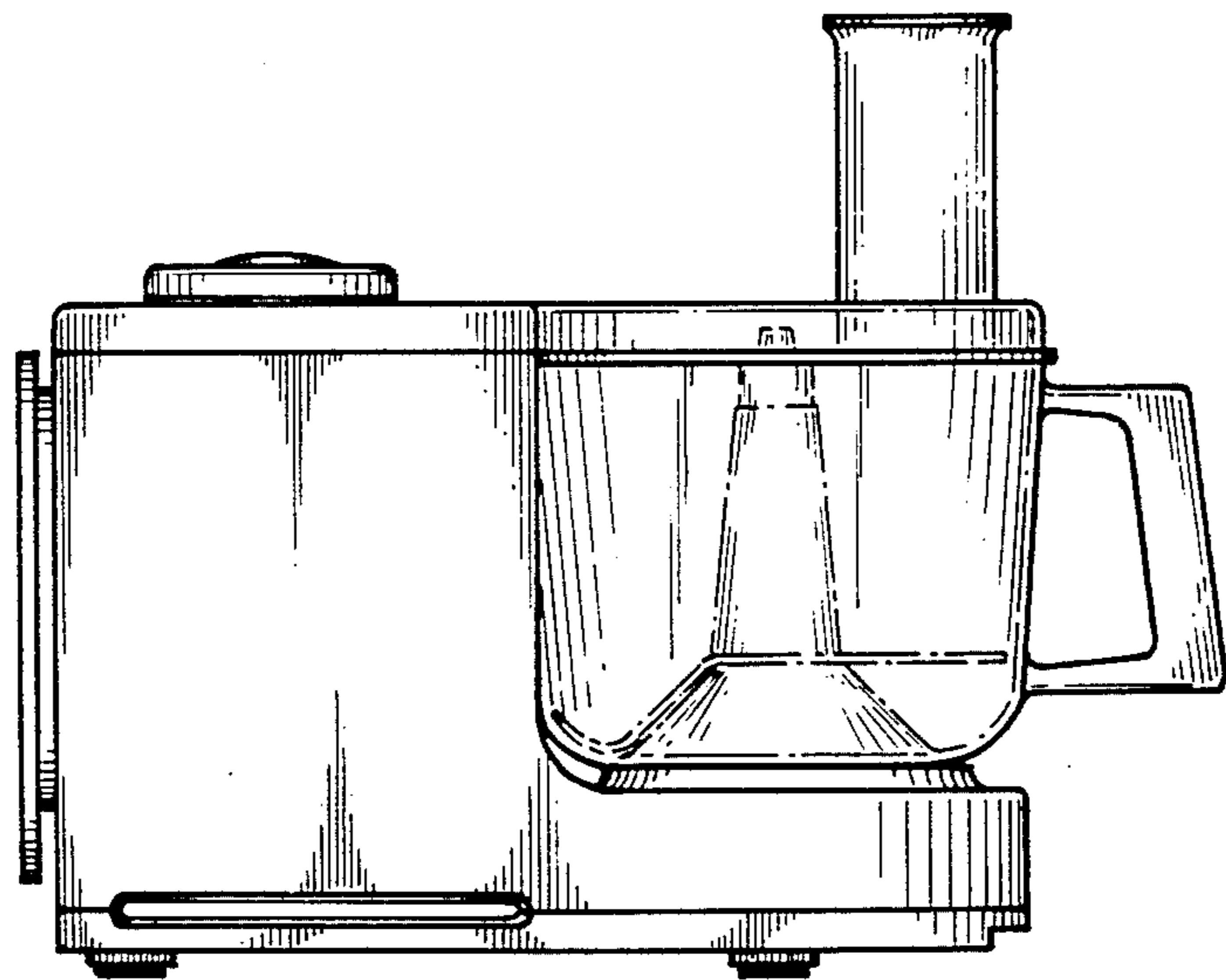
**DESCRIPTION**

FIG. 1 is a top front and left side perspective view of a food processor, showing our new design; FIG. 2 is a left side elevational view thereof at a smaller scale, the right side view is a mirror image thereof; FIG. 3 is a rear elevational view thereof; FIG. 4 is a front elevational view thereof; FIG. 5 is a top plan view thereof; and FIG. 6 is a bottom plan view thereof.

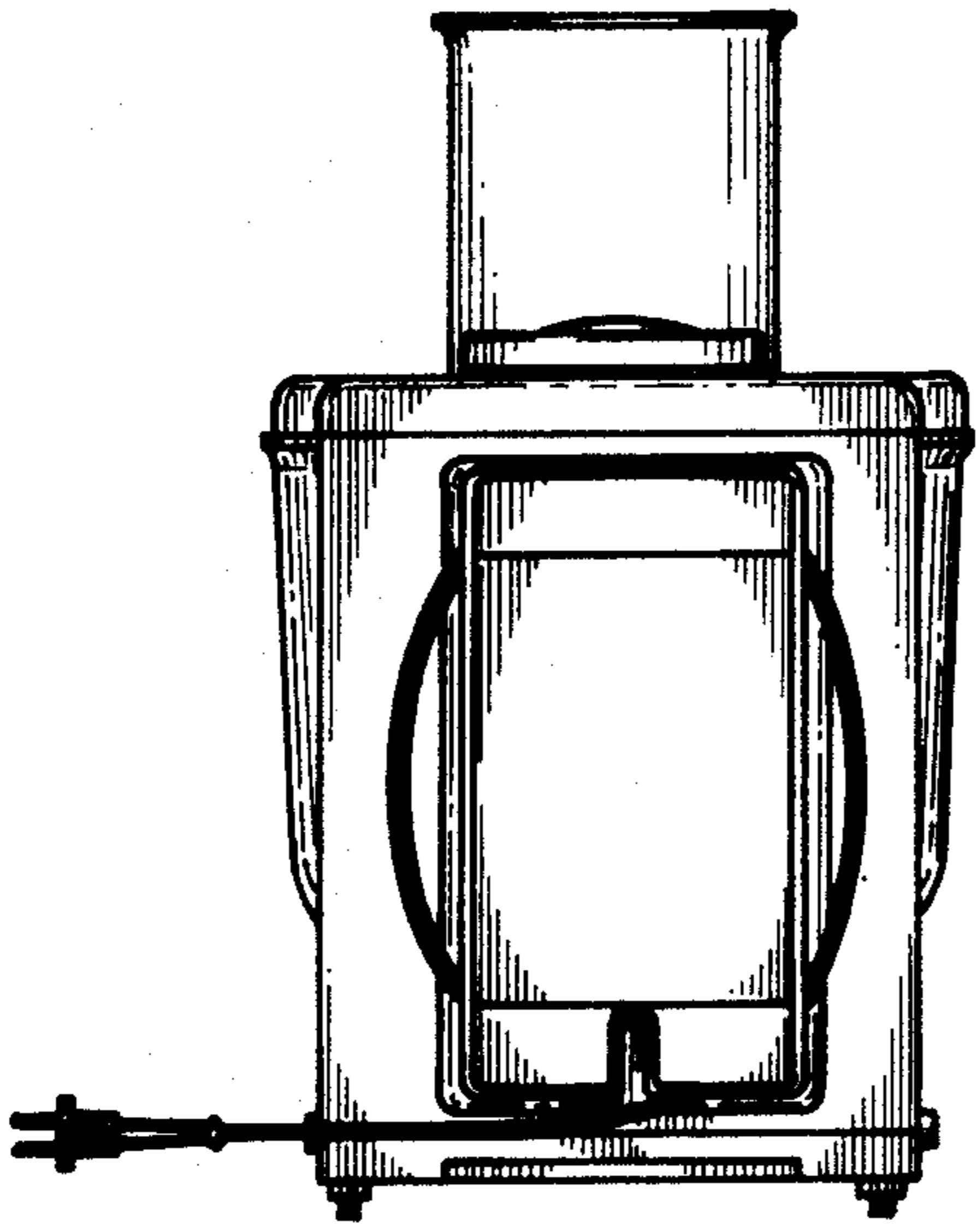




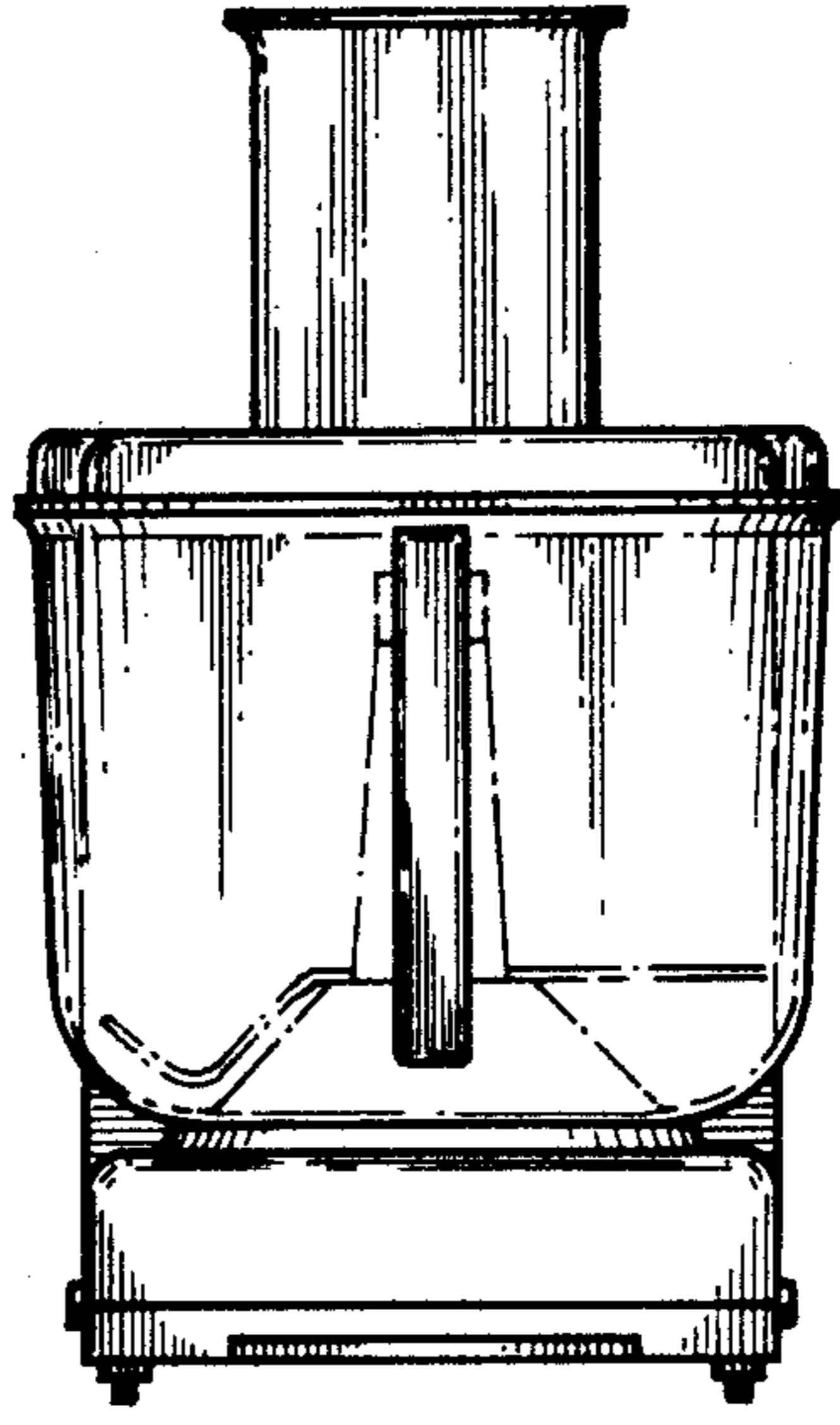
*Fig. 1*



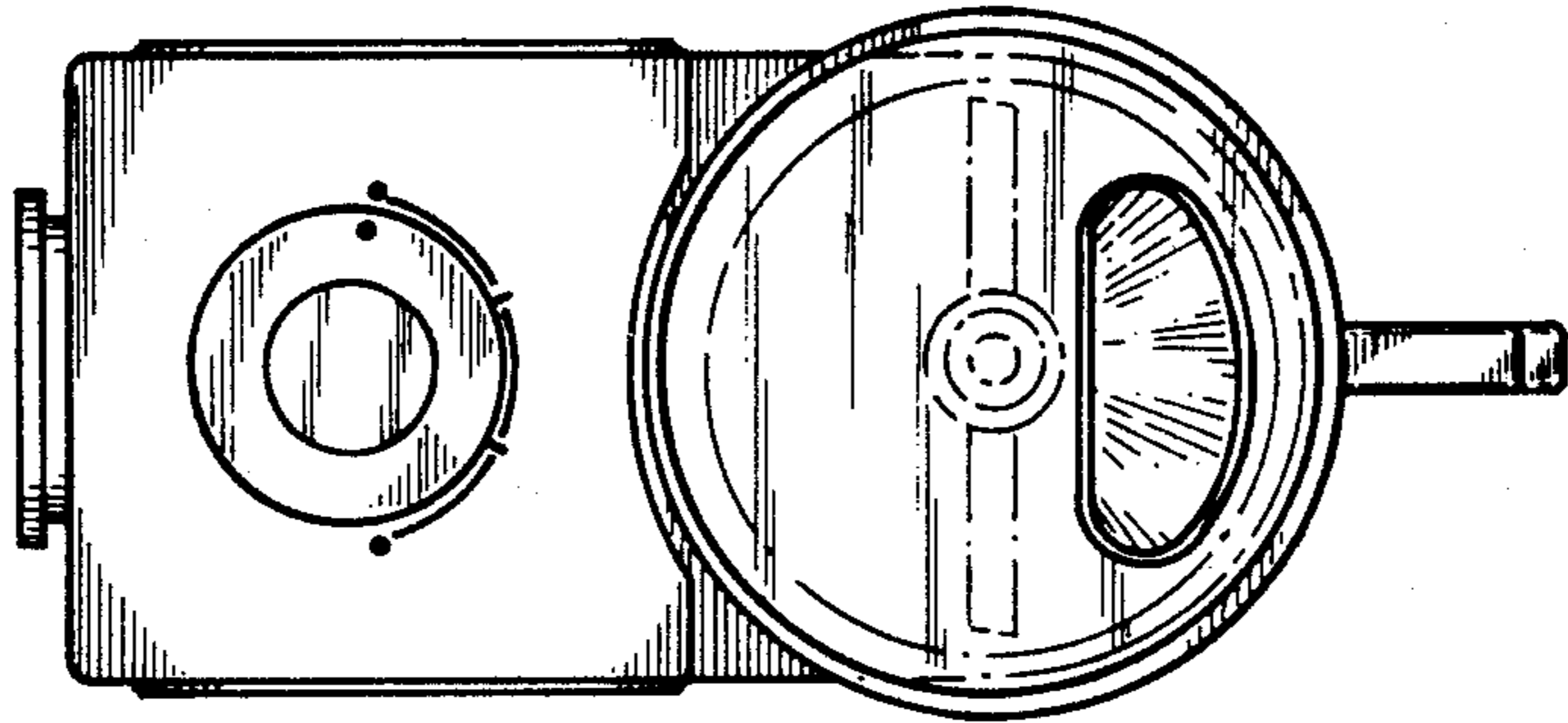
*Fig. 2*



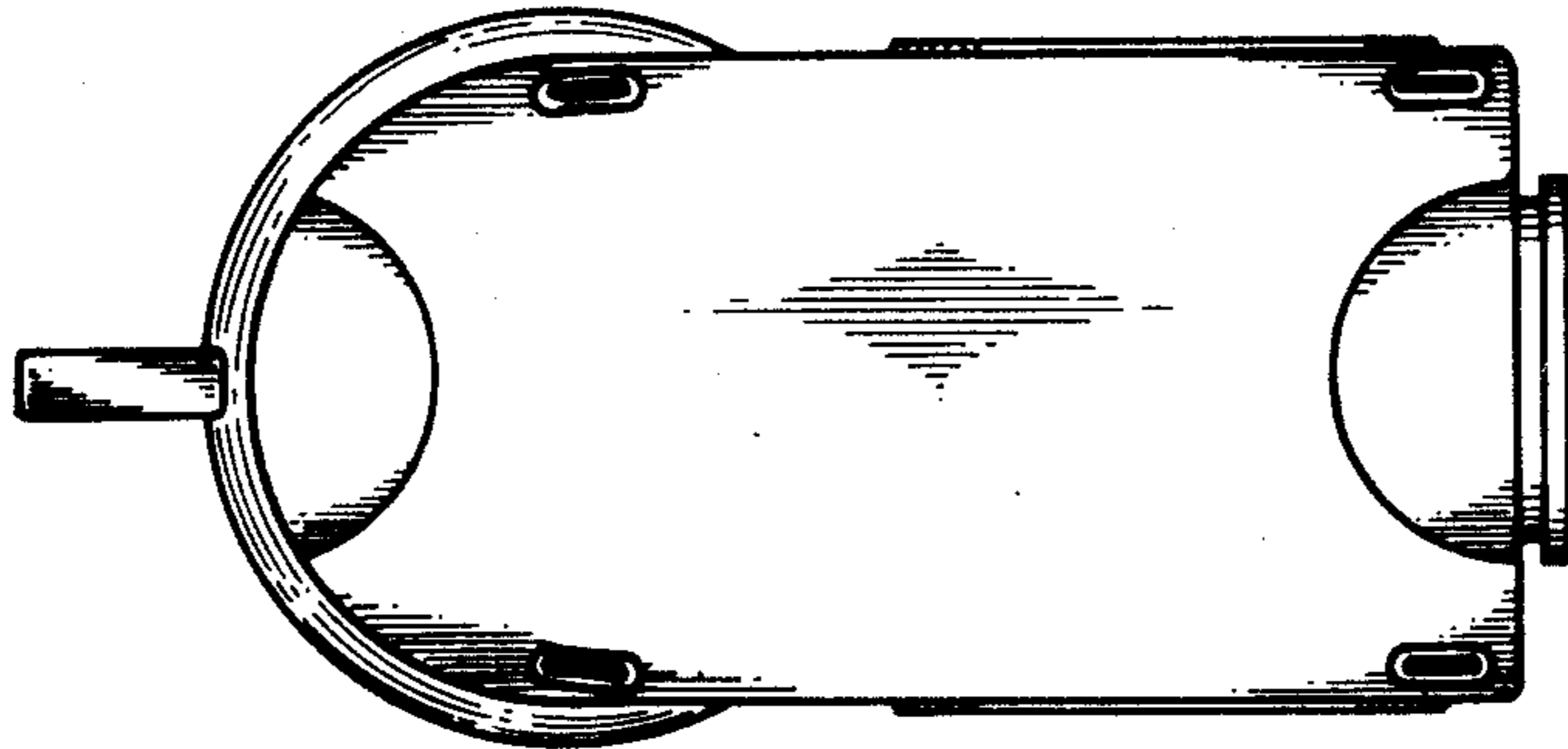
*Fig. 3*



*Fig. 4*



*Fig. 5*



*Fig. 6*