

[54] FLOATABLE TRAY FOR BEVERAGE CONTAINERS

D. 239,673 4/1976 Ziegler D7/70
2,531,562 11/1950 Eve D7/71 X

[76] Inventor: Jennifer Valov, 8343 Loch Lomond Dr., Pico Rivera, Calif. 90660

Primary Examiner—Bernard Ansher
Assistant Examiner—Terry Pfeffer
Attorney, Agent, or Firm—Edgar W. Averill, Jr.

[**] Term: 14 Years

[57] CLAIM

[21] Appl. No.: 682,748

The ornamental design for a floatable tray for beverage containers, as shown.

[22] Filed: Dec. 17, 1984

[52] U.S. Cl. D7/71; D27/8; D27/27

DESCRIPTION

[58] Field of Search D7/70, 71, 73, 77, 3, D7/27; 220/1 R, 21, 23.8; 441/32; 211/74, 76; D9/341; D27/8, 9, 25, 27

FIG. 1 is a top perspective view of a floatable tray for beverage containers showing my new design; FIG. 2 is an exploded perspective view thereof; FIG. 3 is a top plan view thereof; FIG. 4 is a side elevational view thereof; FIG. 5 is a bottom plan view thereof; and FIG. 6 is a cross-sectional view taken along line 6—6 of FIG. 1.

[56] References Cited

U.S. PATENT DOCUMENTS

D. 215,959 11/1969 Kelso et al. D7/71

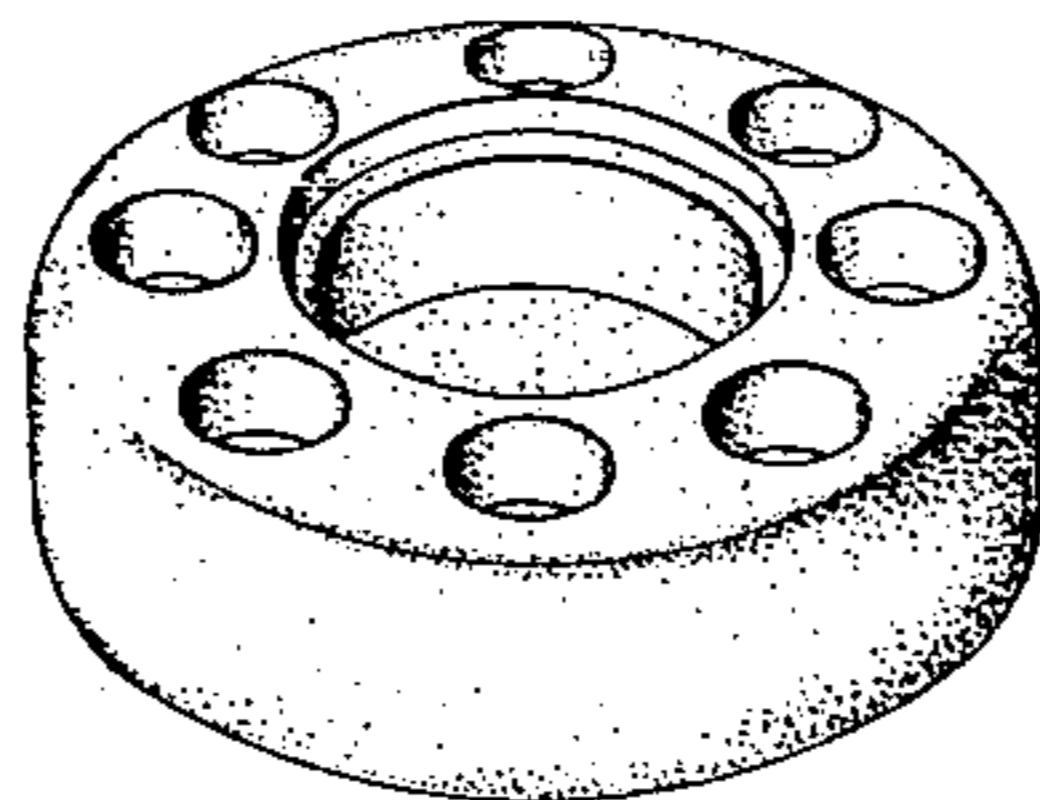
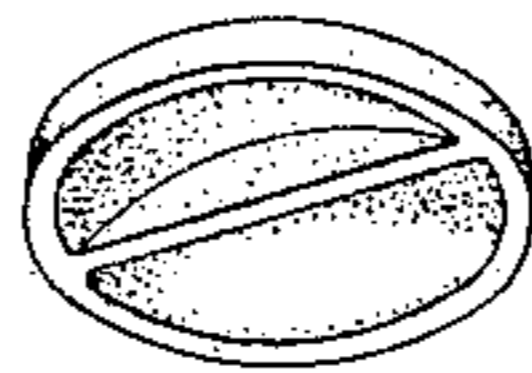
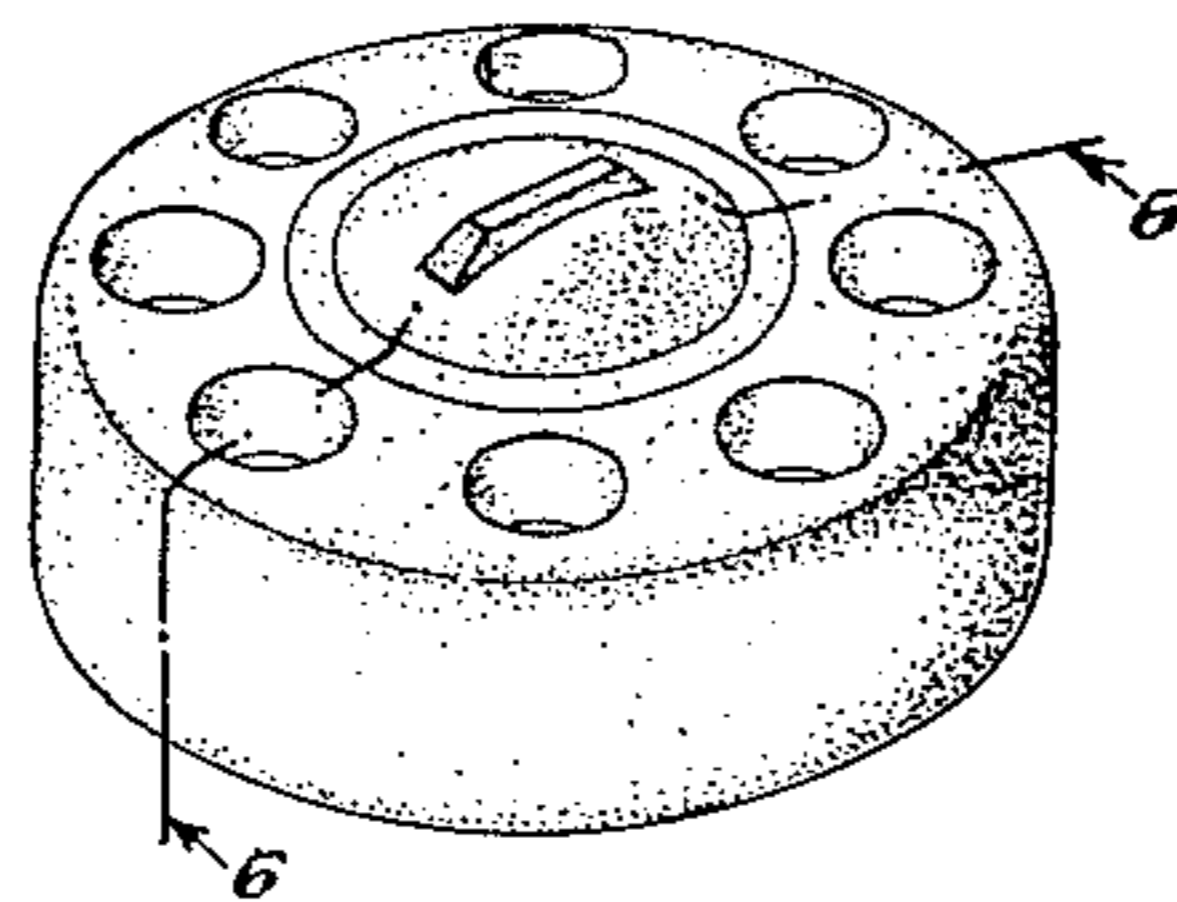


FIG. 1.

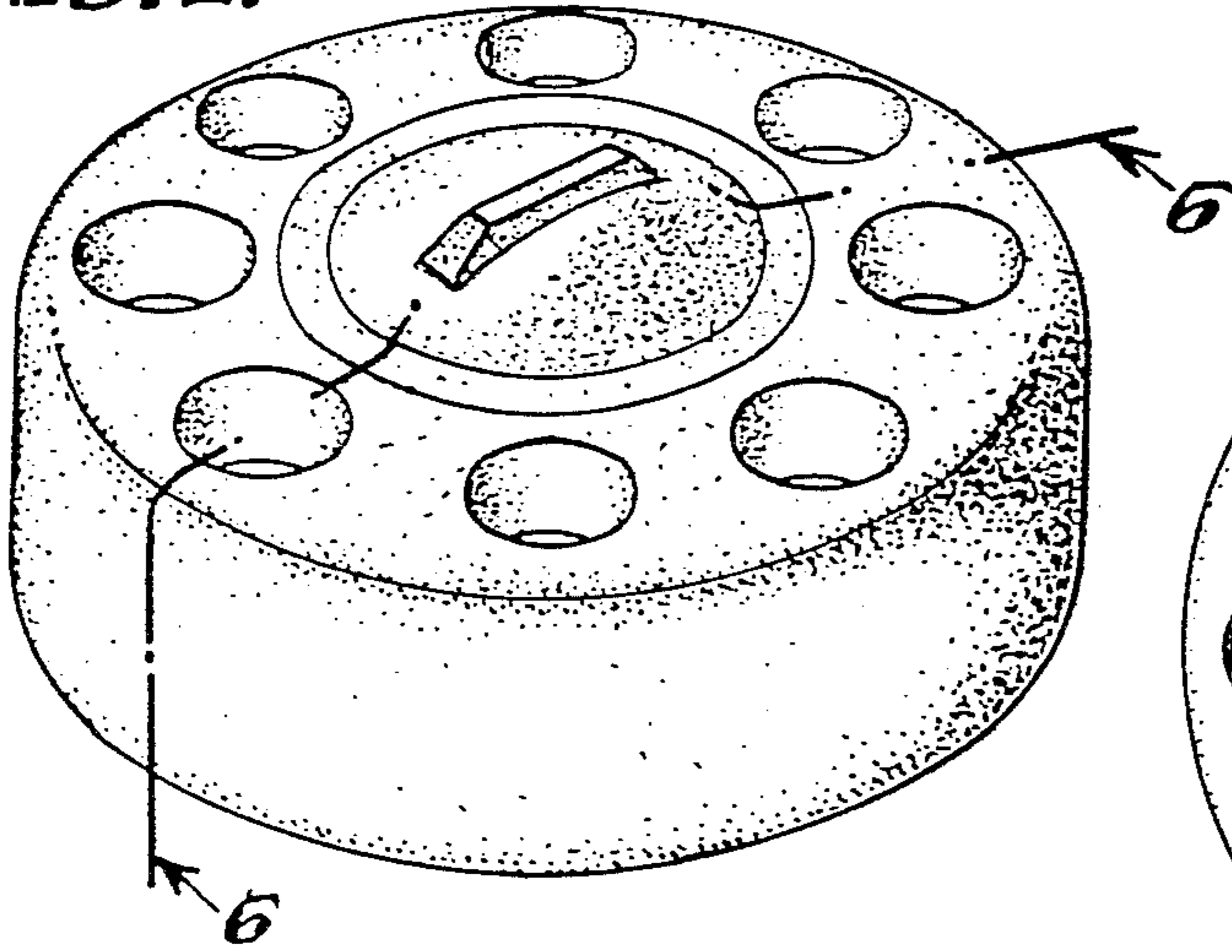


FIG. 3.

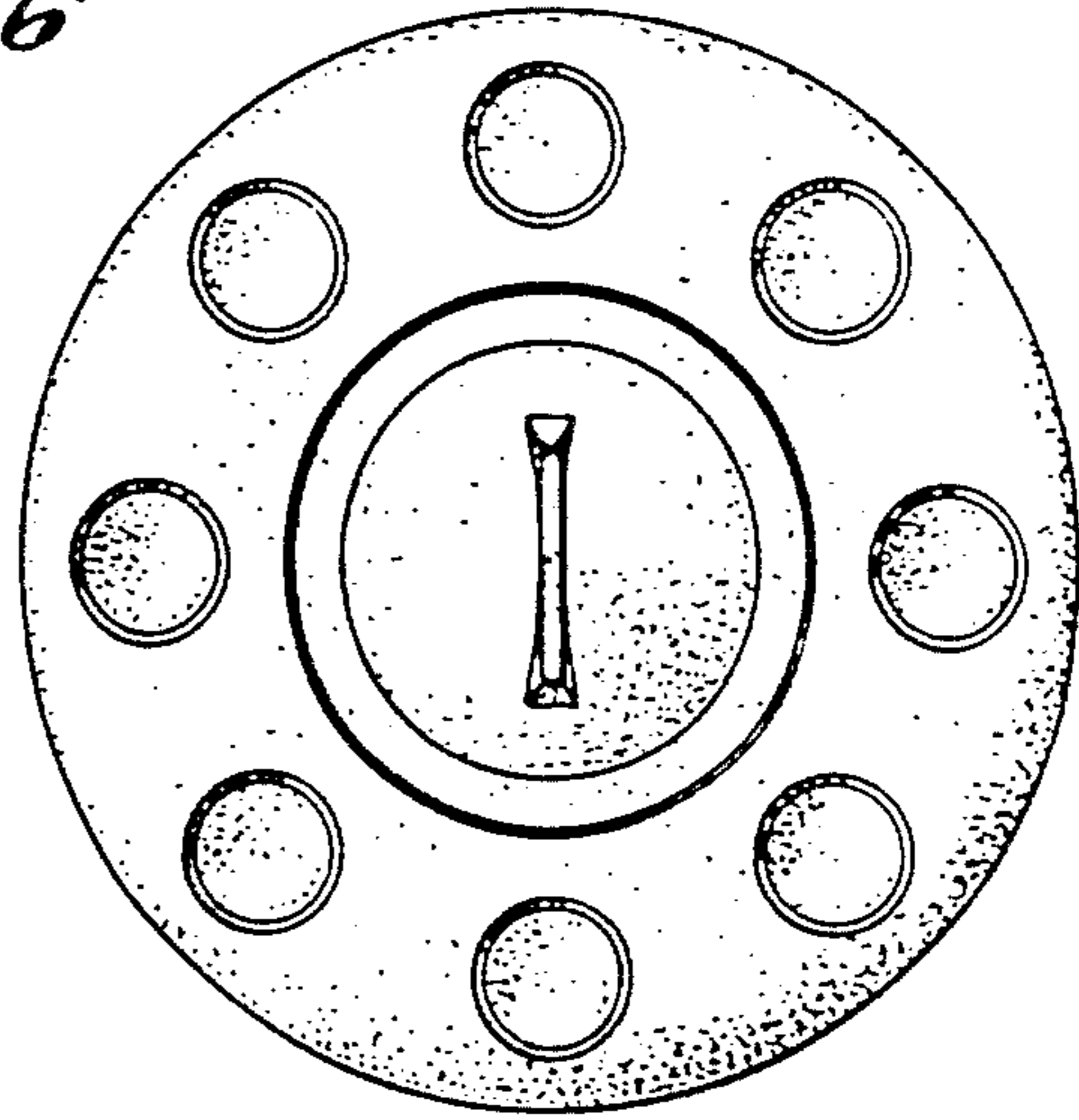


FIG. 6.

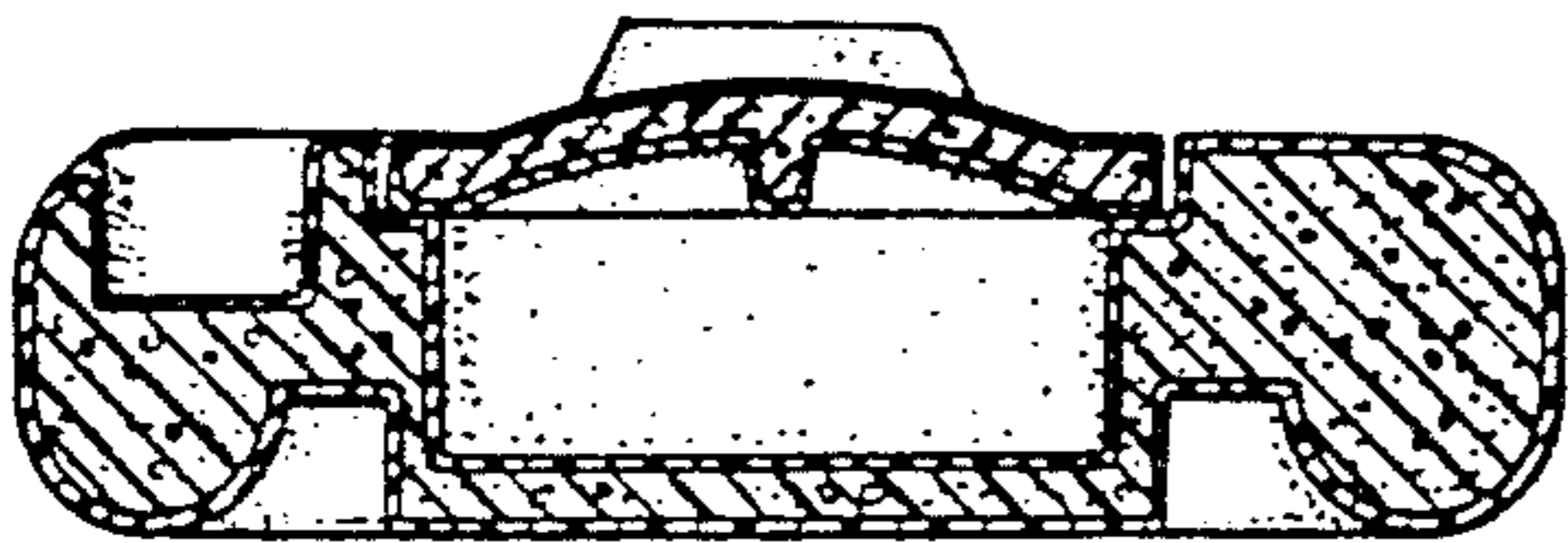


FIG. 4.

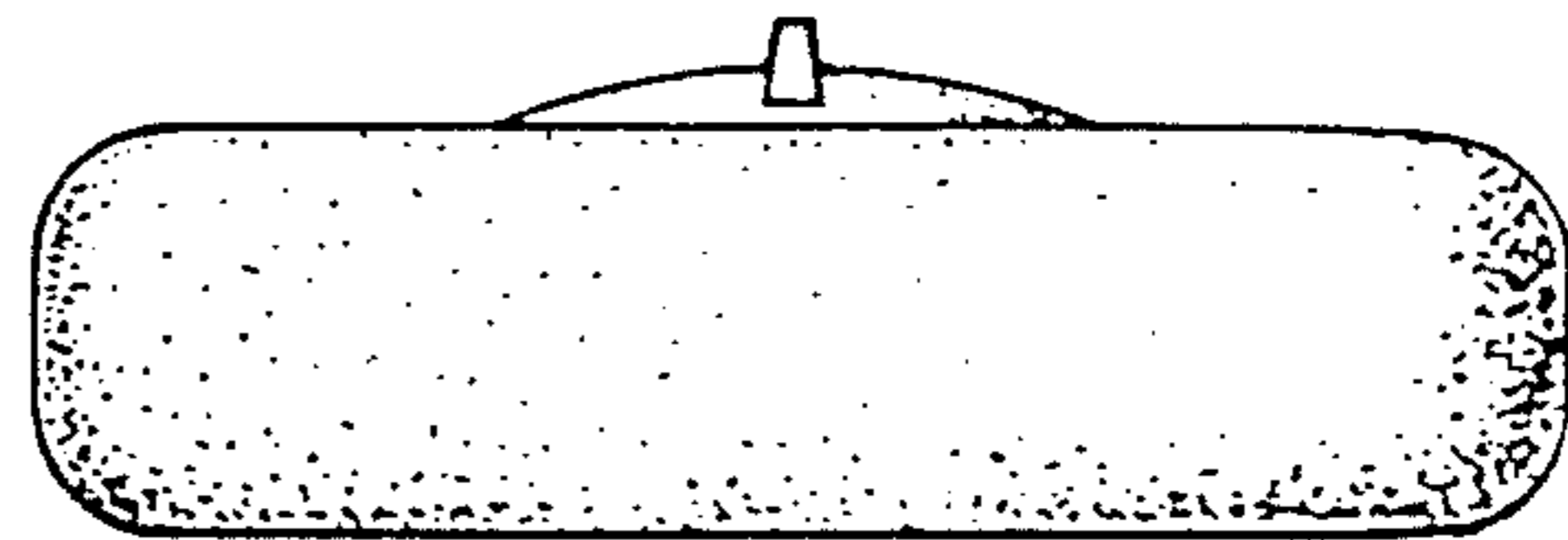


FIG. 2.

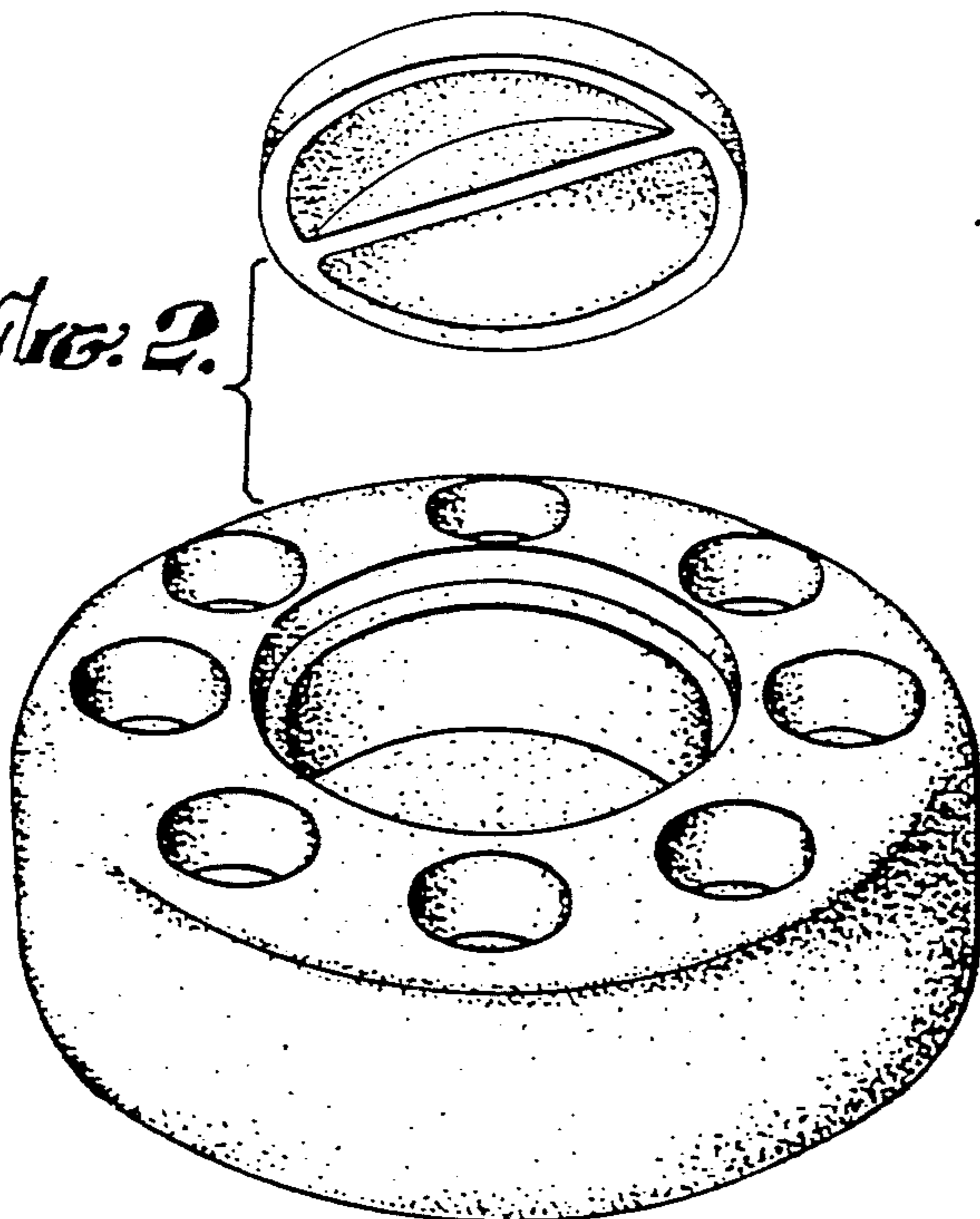


FIG. 5.

