

[54] BOTTLE DRAINER RACK

4,496,124 1/1985 Cole D7/70 X

[76] Inventor: Alex Imatt, 715 Williamsburg Ct., Oak Brook, Ill. 60521

Primary Examiner—Bernard Ansher
Assistant Examiner—Terry Pfeffer
Attorney, Agent, or Firm—Robert V. Jambor

[**] Term: 14 Years

[57] CLAIM

[21] Appl. No.: 743,665

The ornamental design for a bottle drainer rack, substantially as shown and described.

[22] Filed: Jun. 11, 1985

[52] U.S. Cl. D7/70

[58] Field of Search D7/70, 71; 248/146, 248/145.3, 150, 152; 211/74; D6/449, 469

DESCRIPTION

[56] References Cited

U.S. PATENT DOCUMENTS

- D. 233,723 11/1974 Gutierrez D7/71
- 3,615,150 10/1971 Indrunas D7/71 X
- 3,963,206 6/1976 Scolaro et al. D7/70 X

FIG. 1 is a front elevational view of a bottle drainer rack showing my new design, the opposite side being a mirror image, shown in broken lines for illustrative purposes only;

FIG. 2 is a left side elevational view thereof;

FIG. 3 is a top plan view thereof;

FIG. 4 is a bottom plan view thereof; and

FIG. 5 is a right side elevational view thereof.

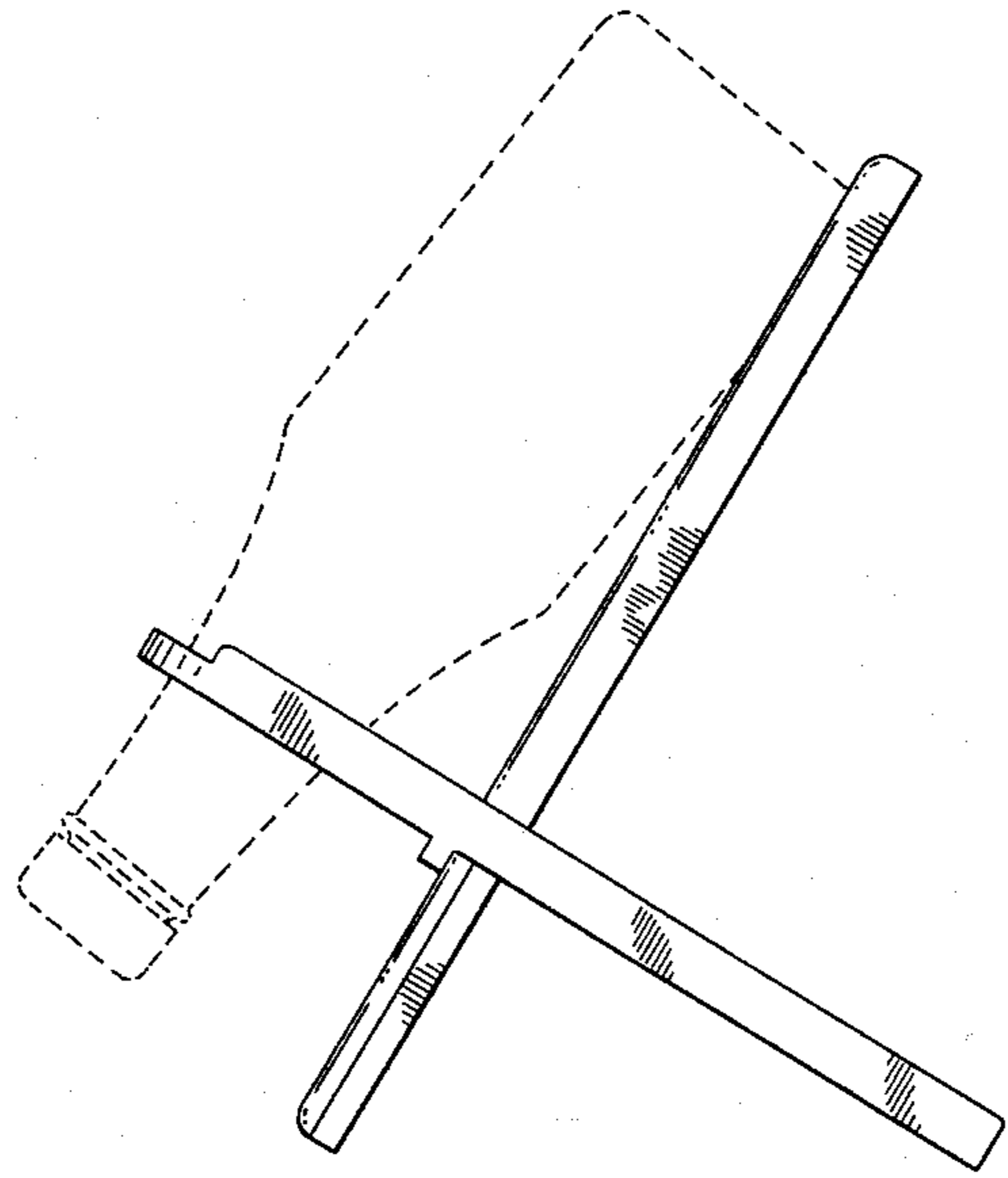


fig.1.

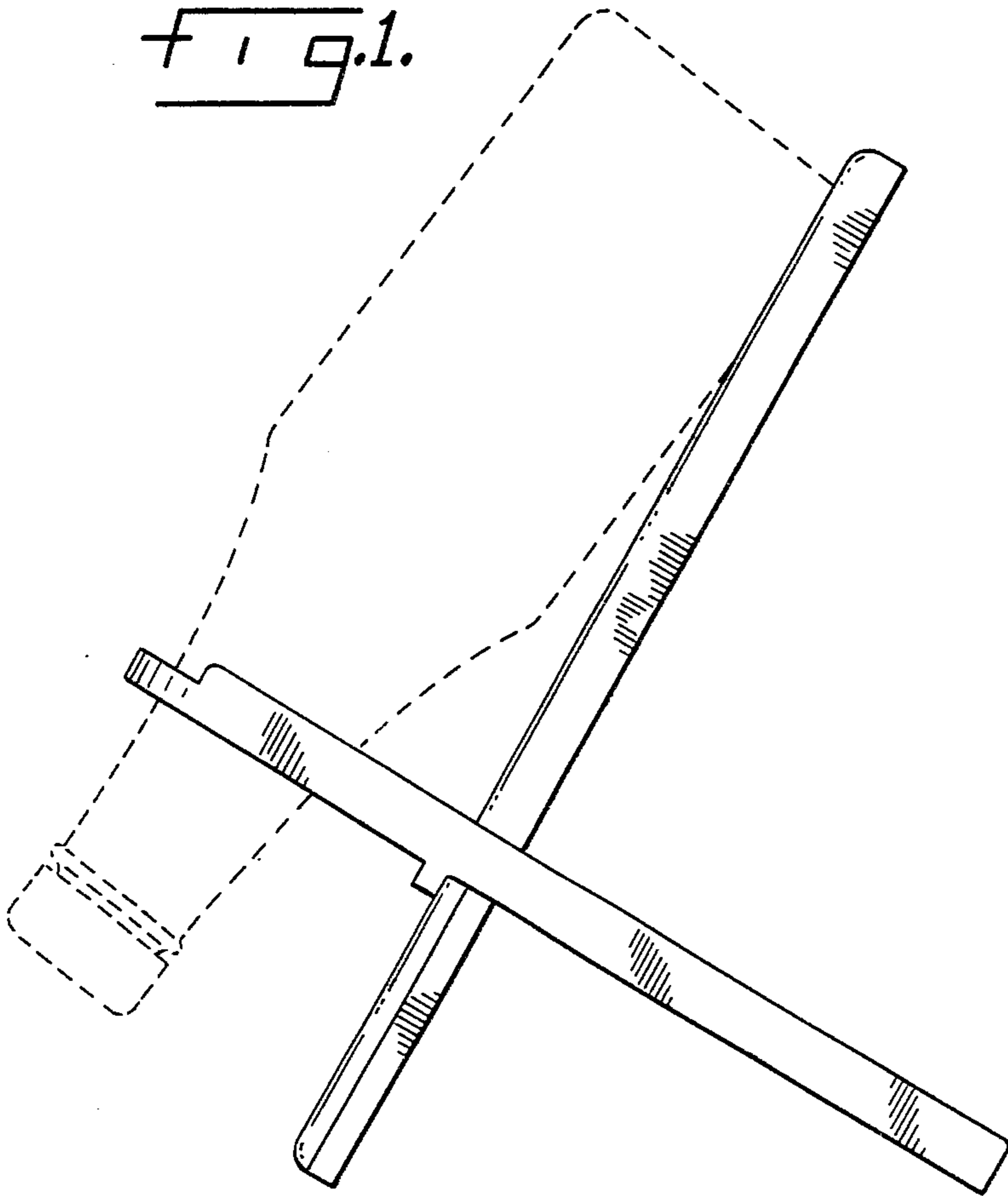


fig.2.

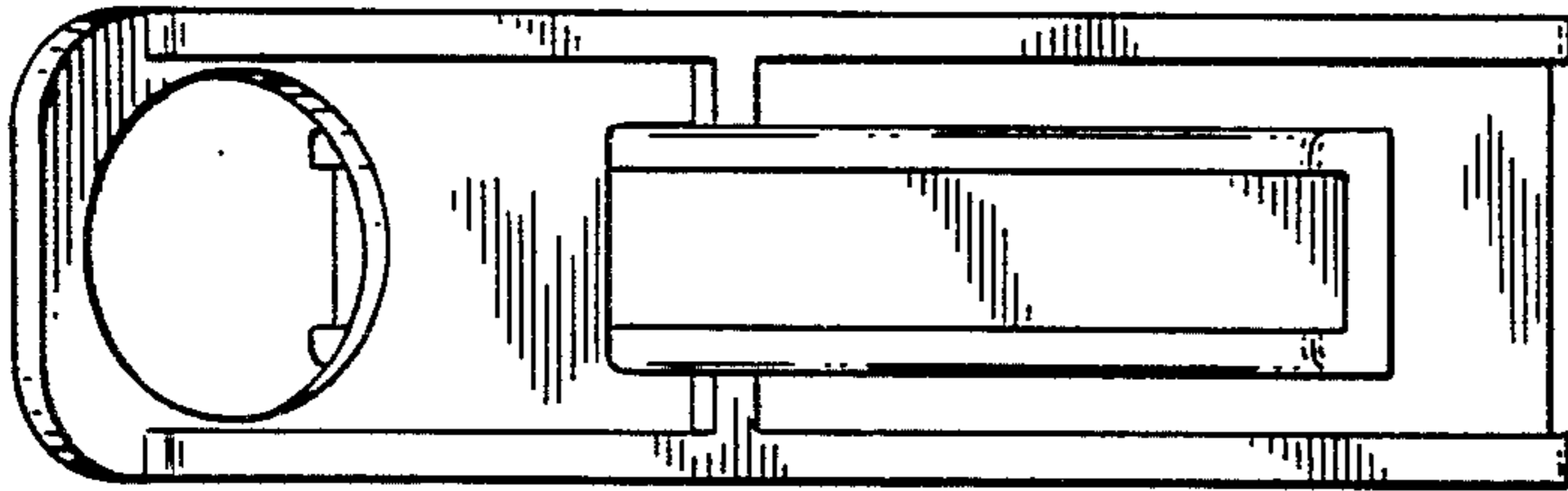
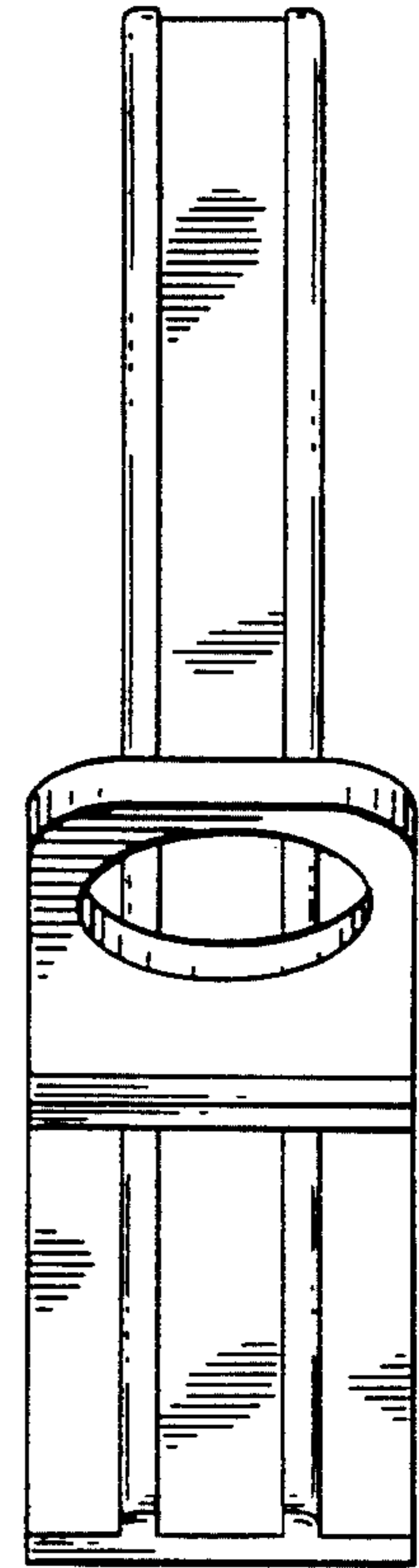


fig.3.

fig.5.

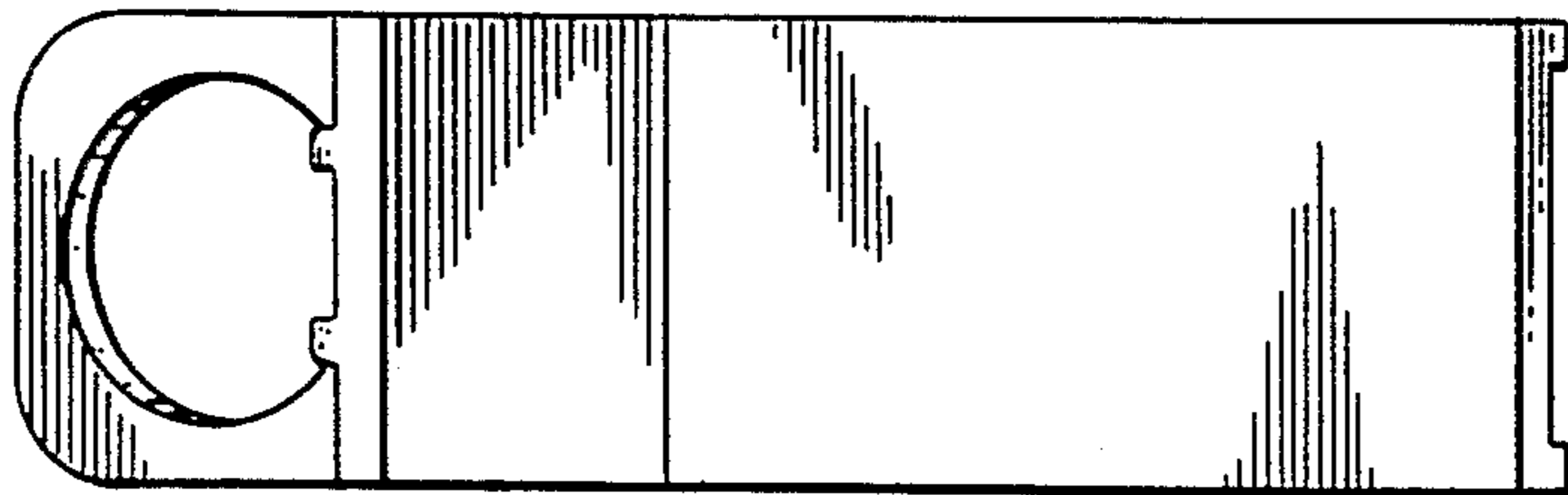
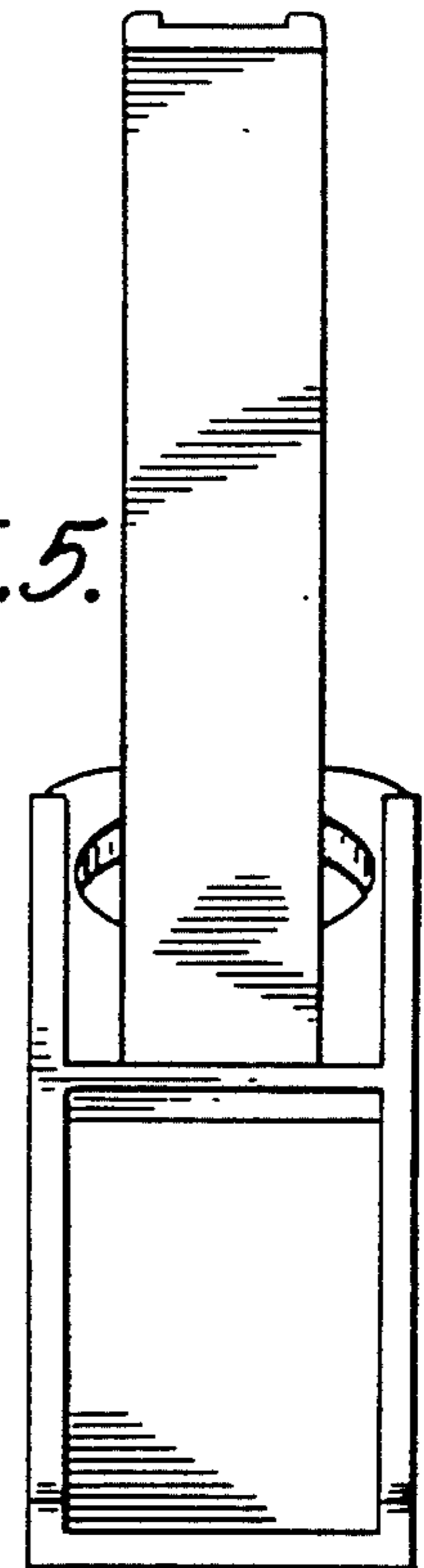


fig.4.