

[54] **HOLDER FOR TOOTHBRUSHES,
TOOTHPASTE AND OTHER DENTAL
ARTICLES**

[76] Inventor: **Eric I. Siegel**, 2800 Jasmine Ct., NE.,
Atlanta, Ga. 30345

[**] Term: **14 Years**

[21] Appl. No.: **772,015**

[22] Filed: **Sep. 3, 1985**

[52] U.S. Cl. **D6/527**

[58] **Field of Search** **D24/4-5,**
D24/10-17, 29, 31; D21/128, 134; D12/14;
D6/524-531, 534, 541; 206/277

[56] **References Cited**

U.S. PATENT DOCUMENTS

D. 252,348 7/1979 Nakao et al. **D21/134**
2,099,906 11/1937 Reese et al. **D6/527 X**

4,384,645 5/1983 Manfredi 206/277 X

Primary Examiner—Wallace R. Burke
Assistant Examiner—Brian N. Vinson
Attorney, Agent, or Firm—Newton, Hopkins & Ormsby

[57] **CLAIM**

The ornamental design for the holder for toothbrushes,
toothpaste and other dental articles, as shown.

DESCRIPTION

FIG. 1 is a top perspective view of a holder for tooth-
brushes, toothpaste and other dental articles showing
my new design;

FIG. 2 is a right side elevational view thereof;

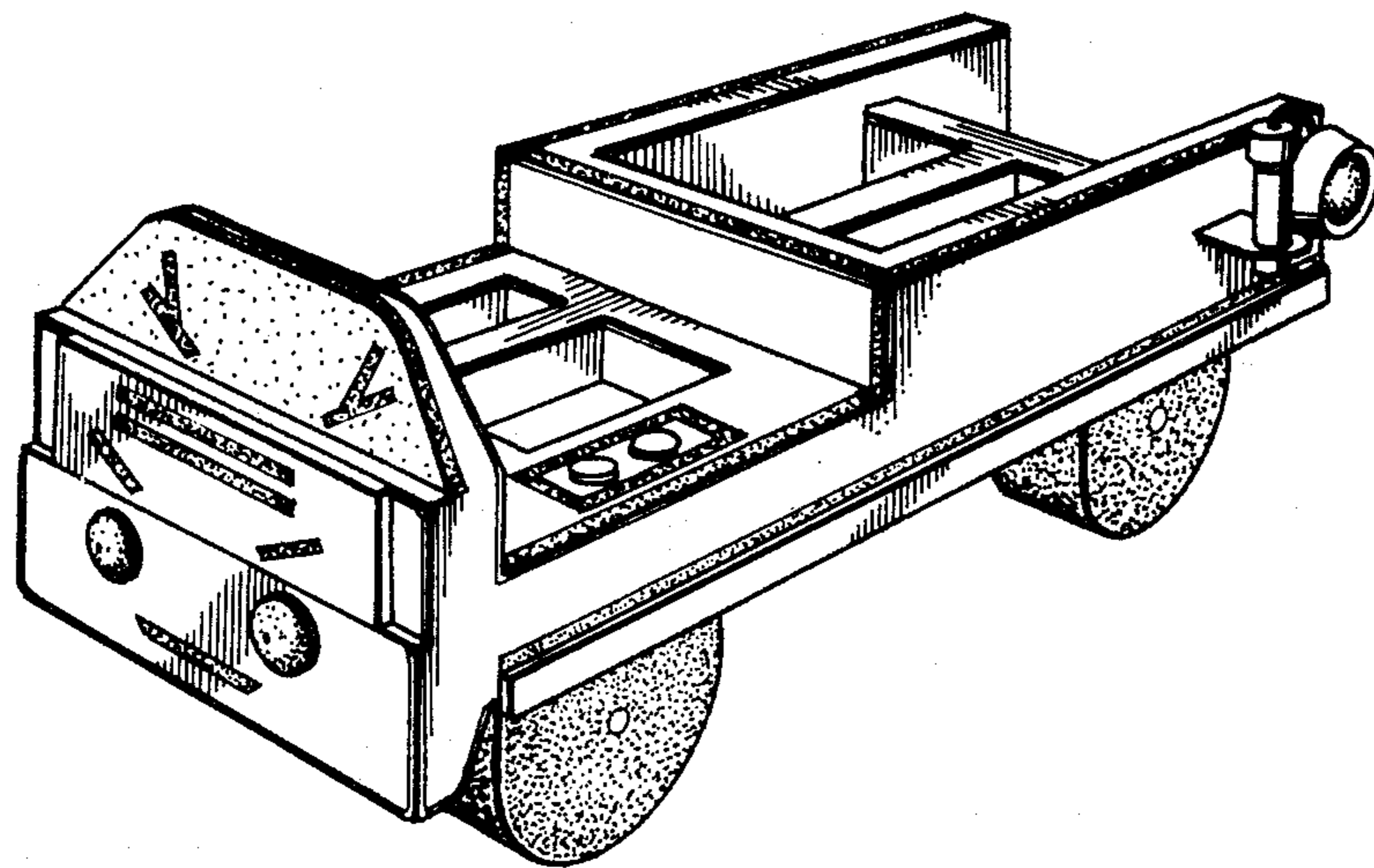
FIG. 3 is a front elevational view thereof;

FIG. 4 is a rear elevational view thereof;

FIG. 5 is a left side elevational view thereof;

FIG. 6 is a top plan view thereof; and

FIG. 7 is a bottom plan view thereof.



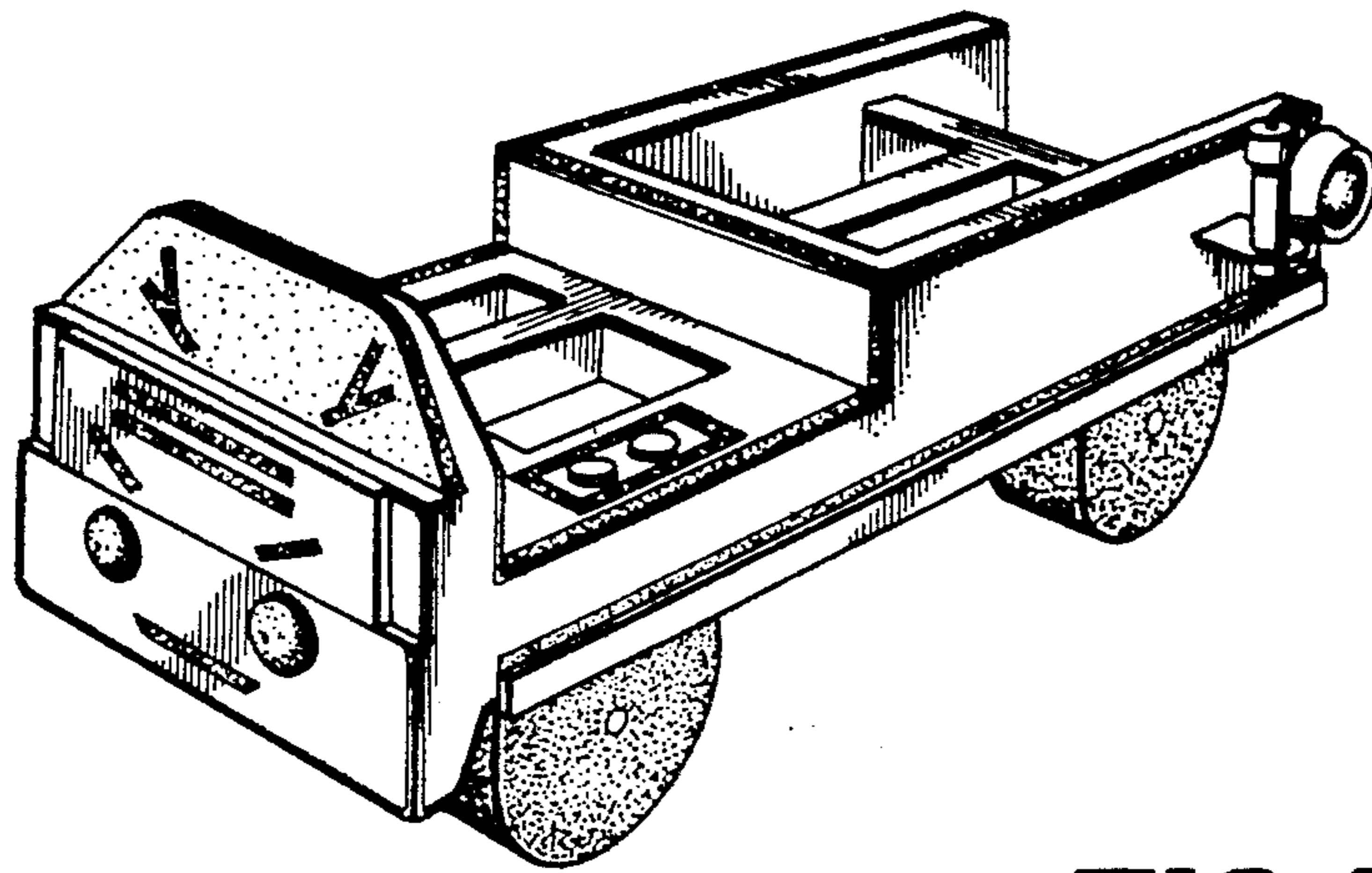


FIG 1

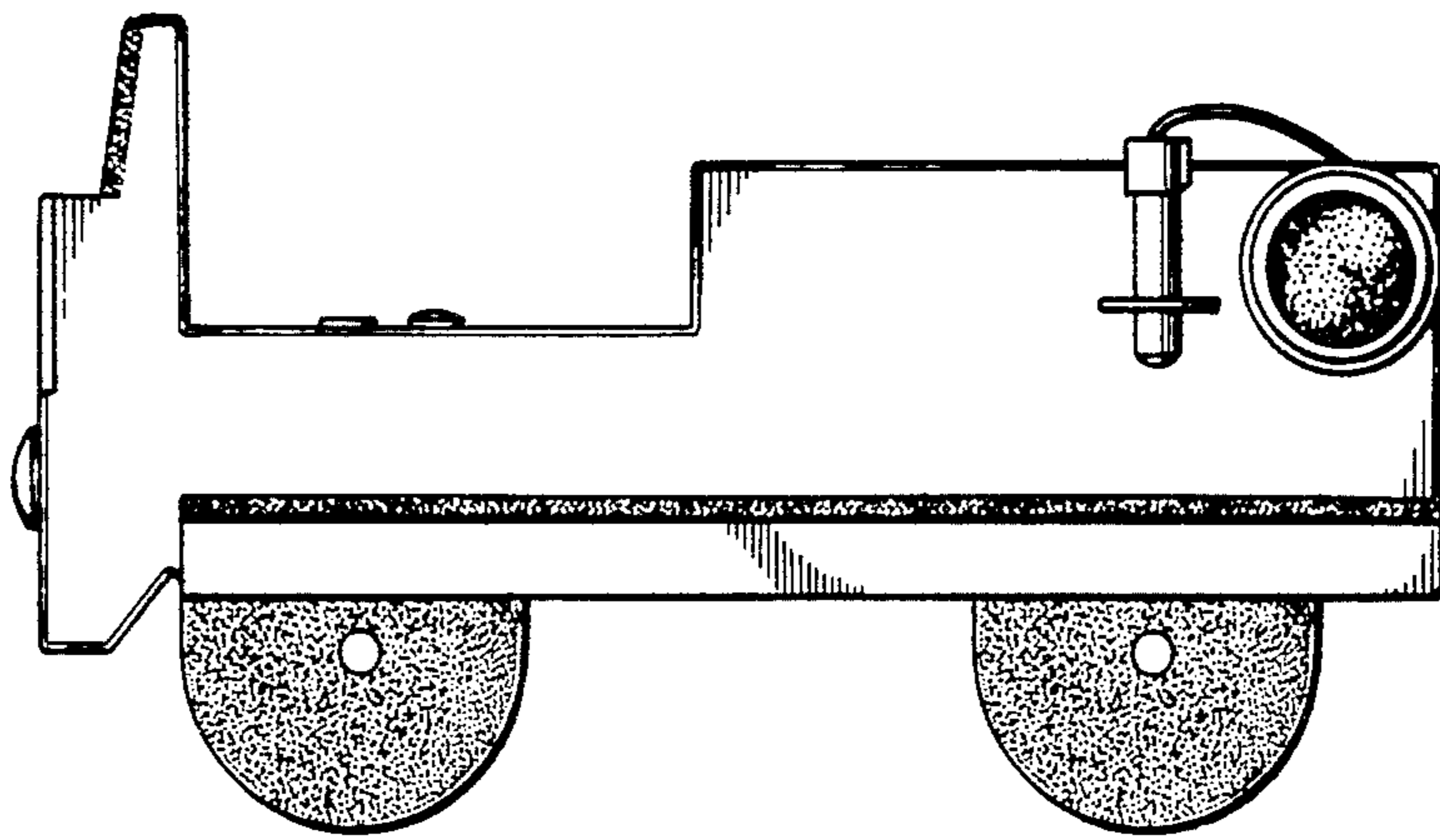


FIG 2

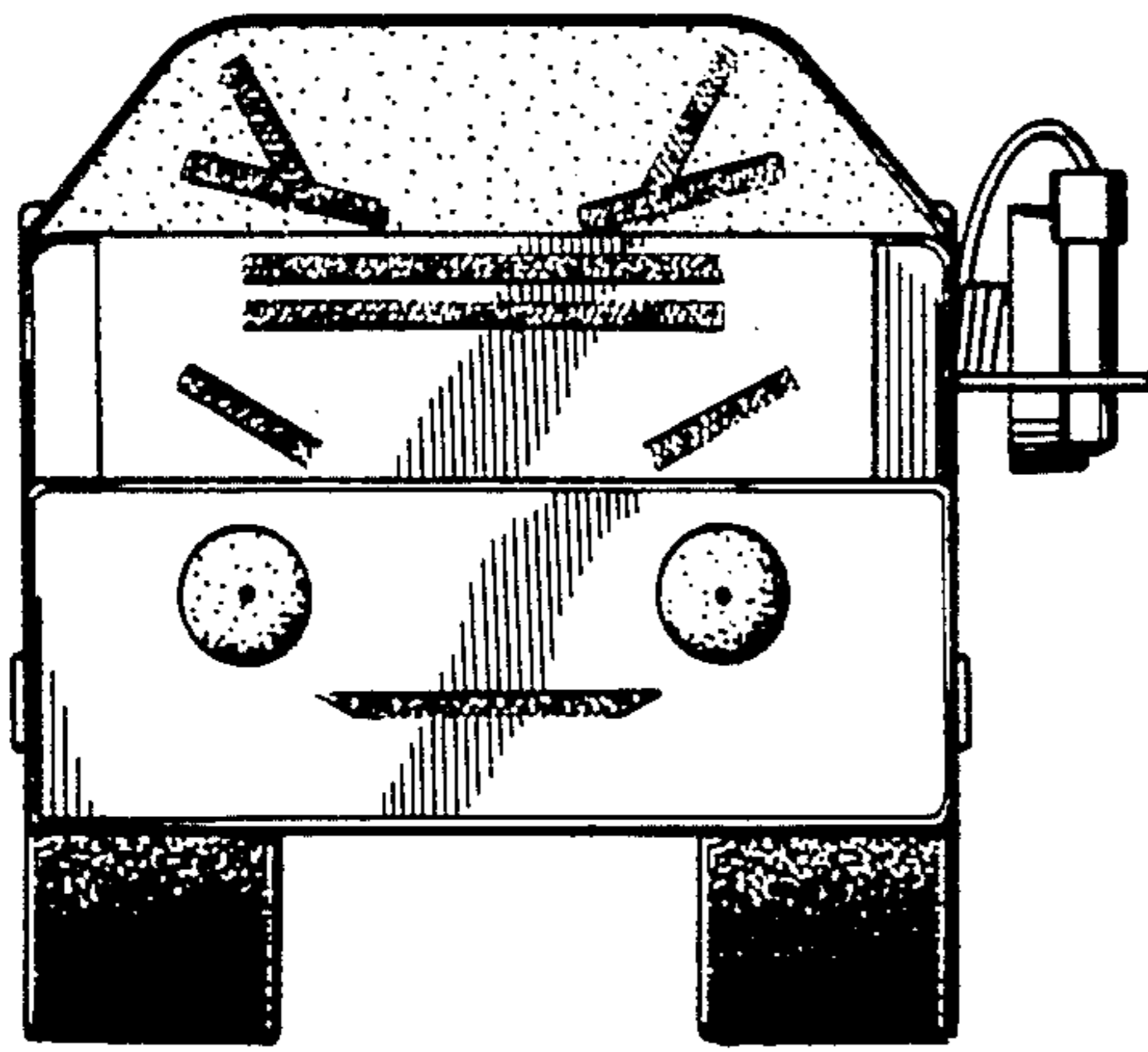


FIG 3

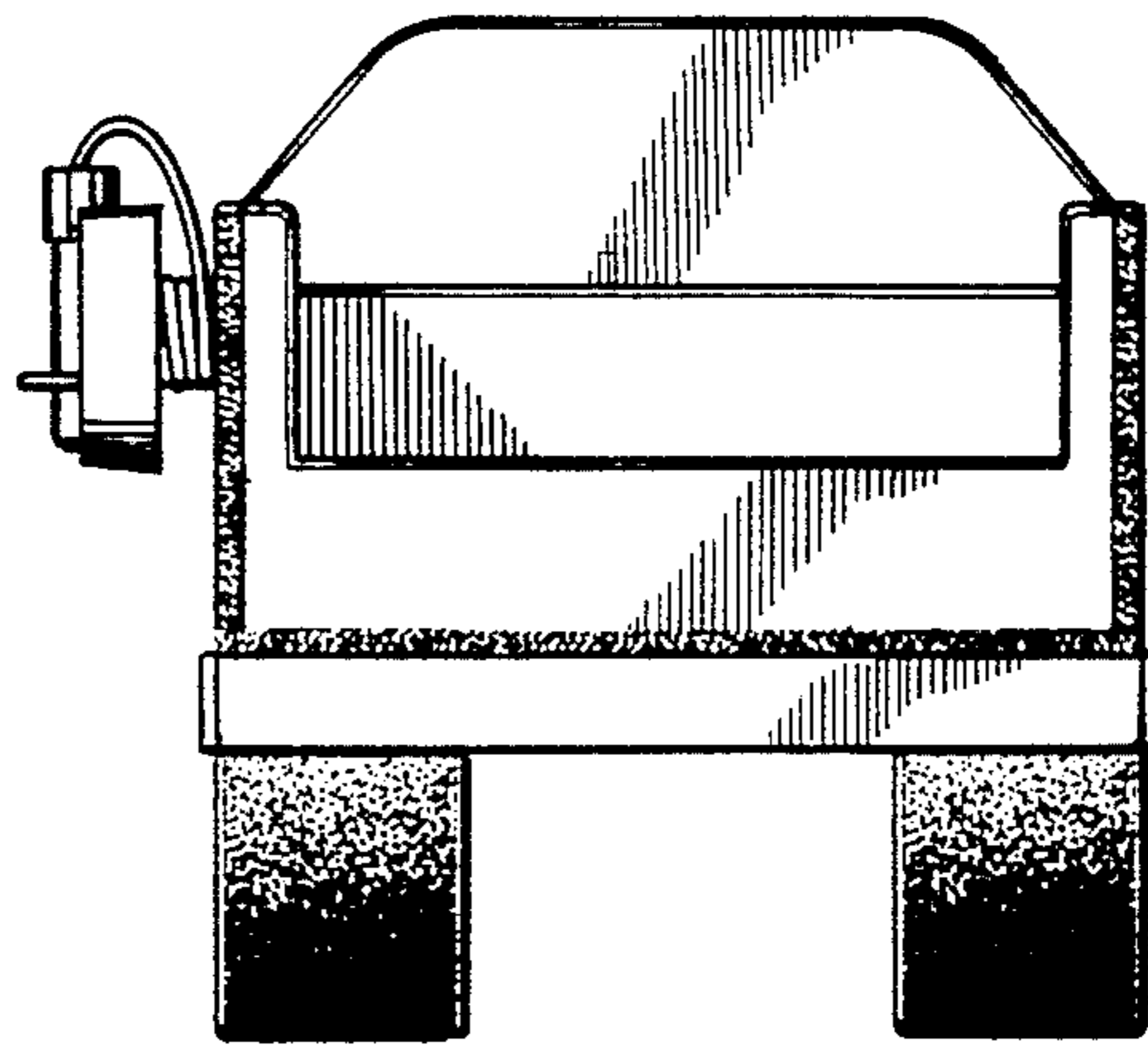


FIG 4

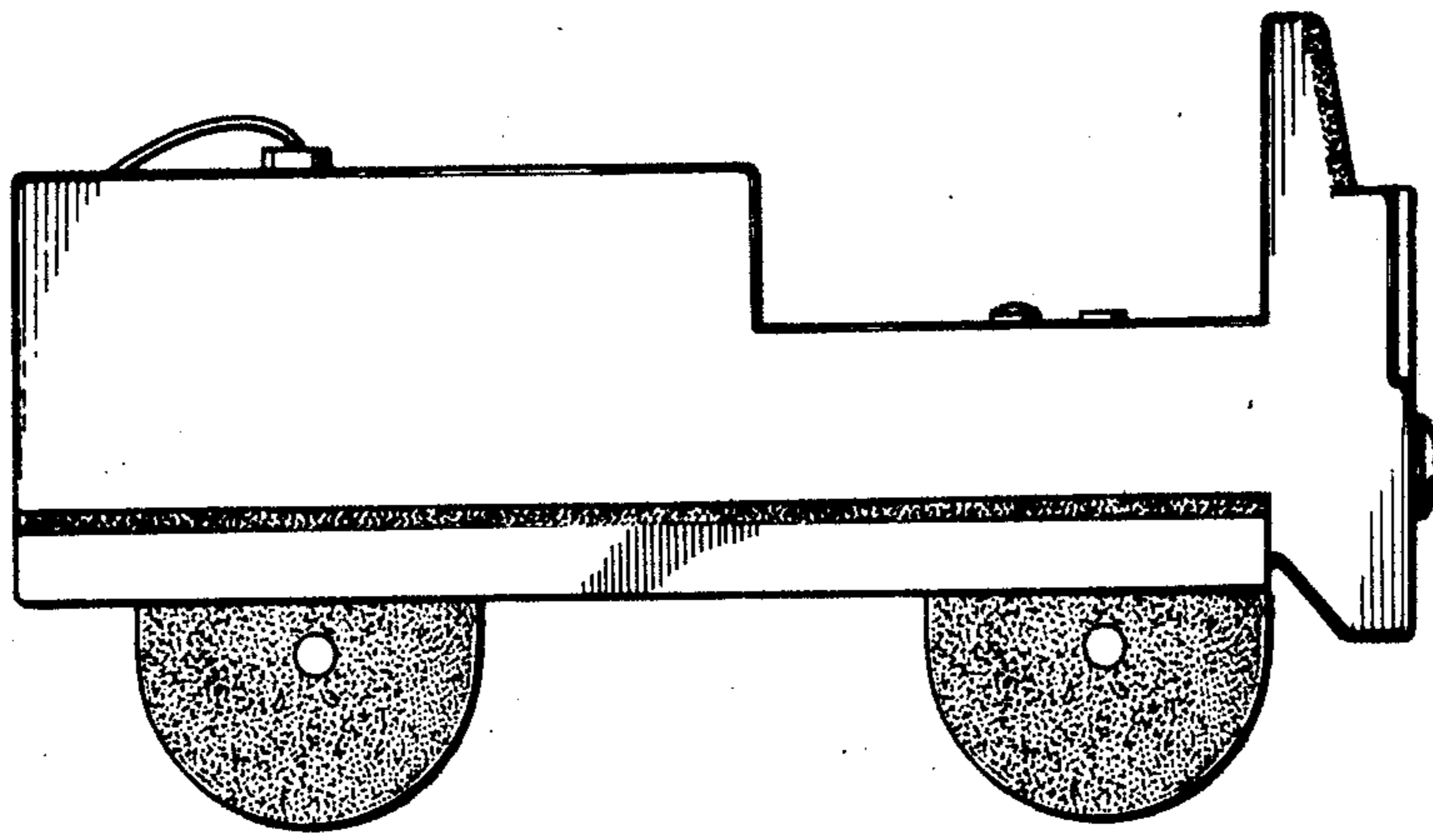


FIG 5

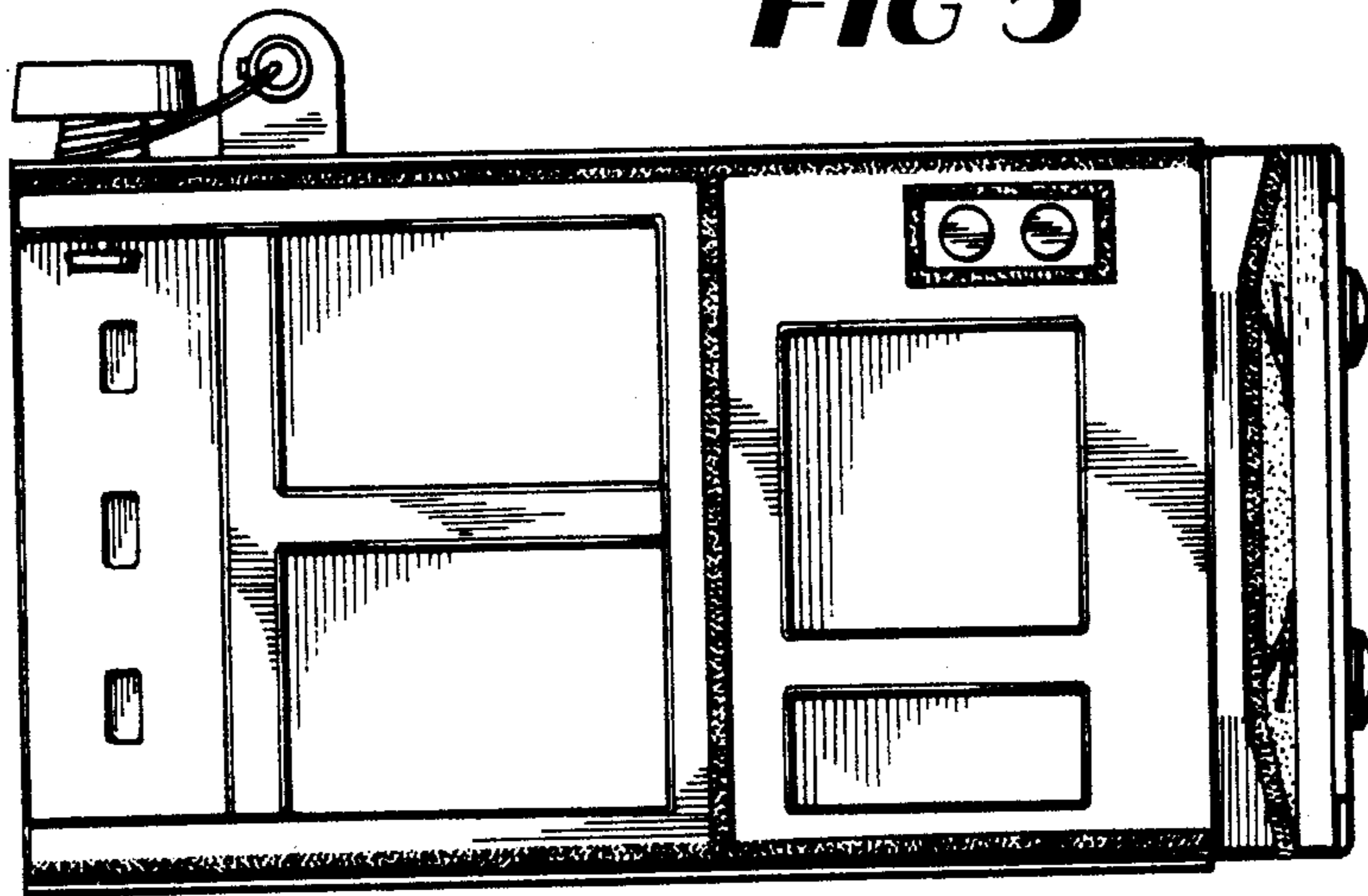


FIG 6

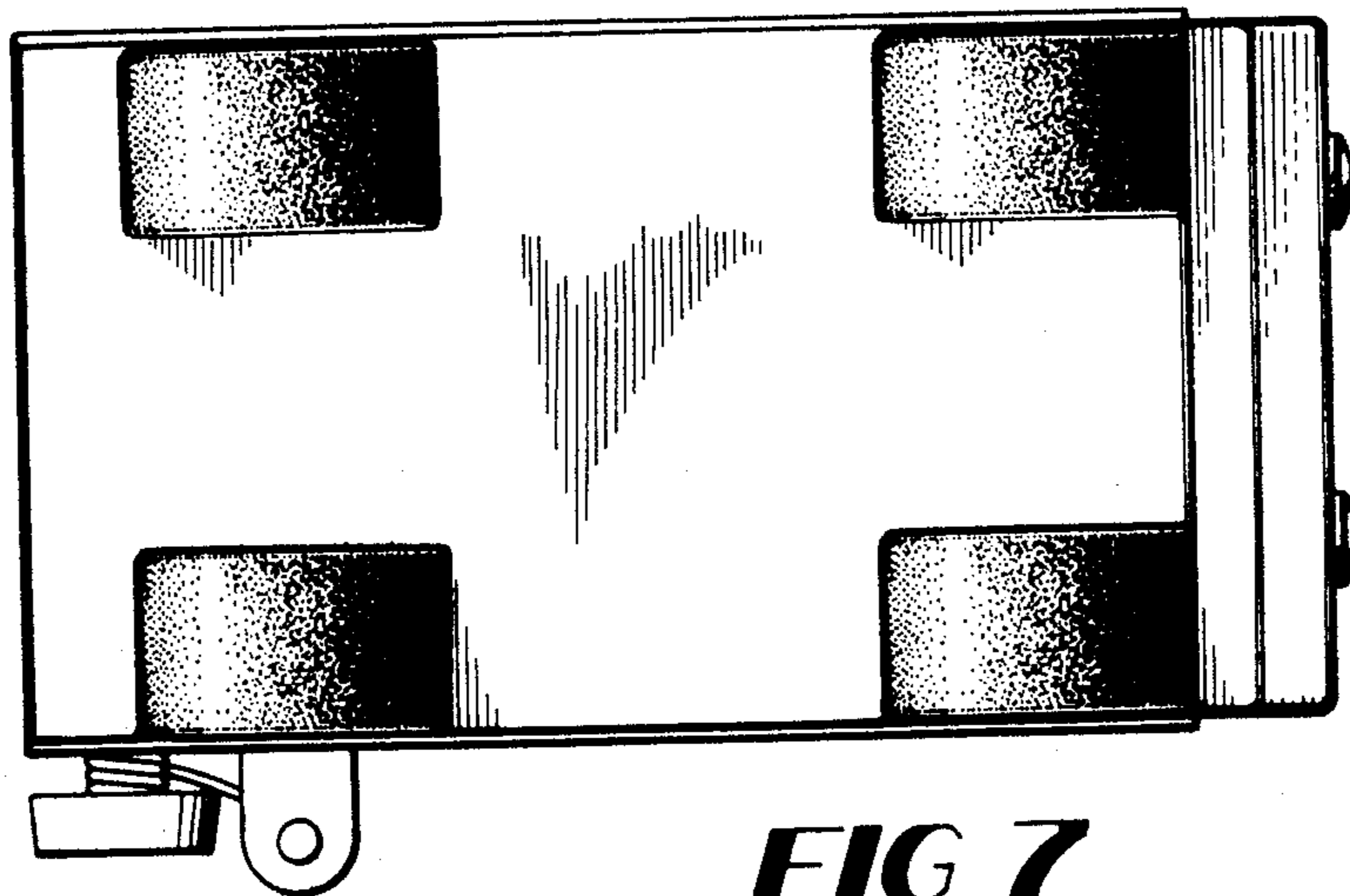


FIG 7