

[54] TABLE

[76] Inventor: Peter Lacoux, Box 85, Oldwick, N.J. 08858

[**] Term: 14 Years

[21] Appl. No.: 700,461

[22] Filed: Feb. 11, 1985

[52] U.S. Cl. D6/488; D6/480

[58] Field of Search D6/449, 480, 481, 482, D6/488

[56] References Cited

U.S. PATENT DOCUMENTS

D. 225,710	1/1973	McIntosh	D6/488
D. 262,506	1/1982	Kim	D6/488
D. 265,450	7/1982	Berryman	D6/482

OTHER PUBLICATIONS

Interiors, Apr. 1967, p. 87, table at center.
N.Y. Times, Magazine Section, Jan. 22, 1950, p. 31,
Table by Robsjohn-Gibbings.

Primary Examiner—Bruce W. Dunkins

[57] CLAIM

The ornamental design for a table, as shown and described.

DESCRIPTION

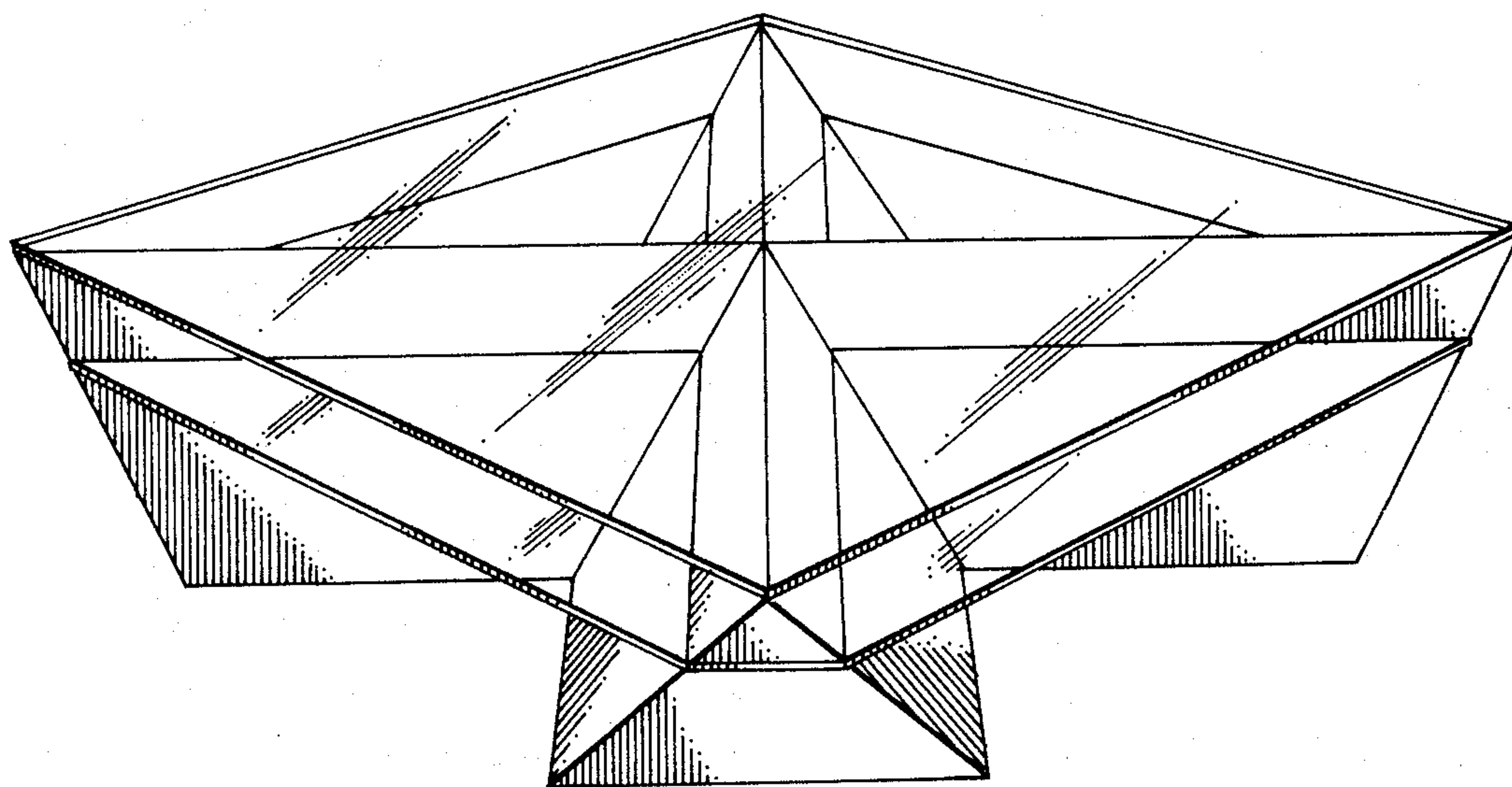
FIG. 1 is a perspective view of a table showing my design;

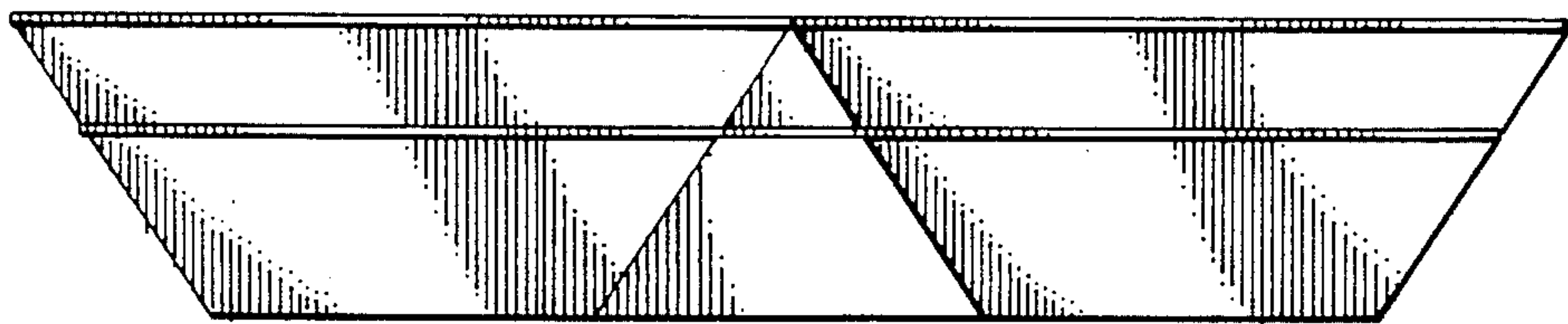
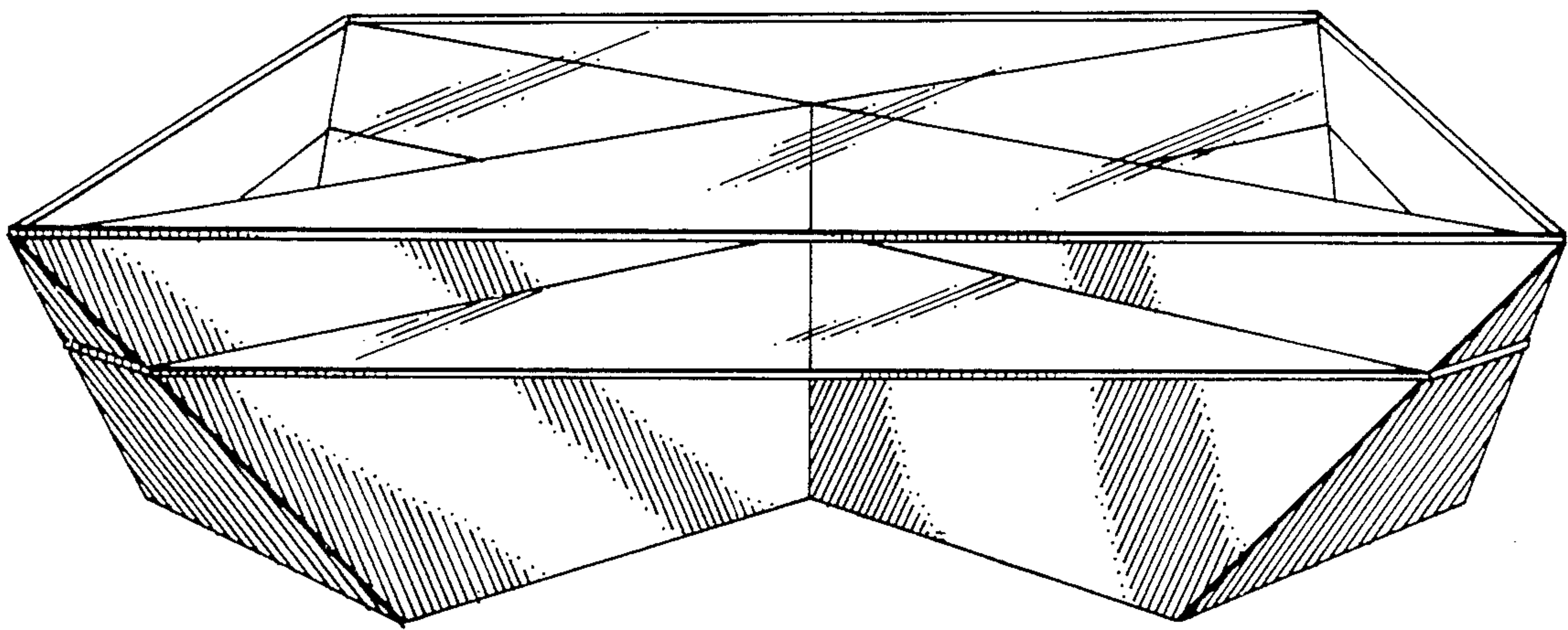
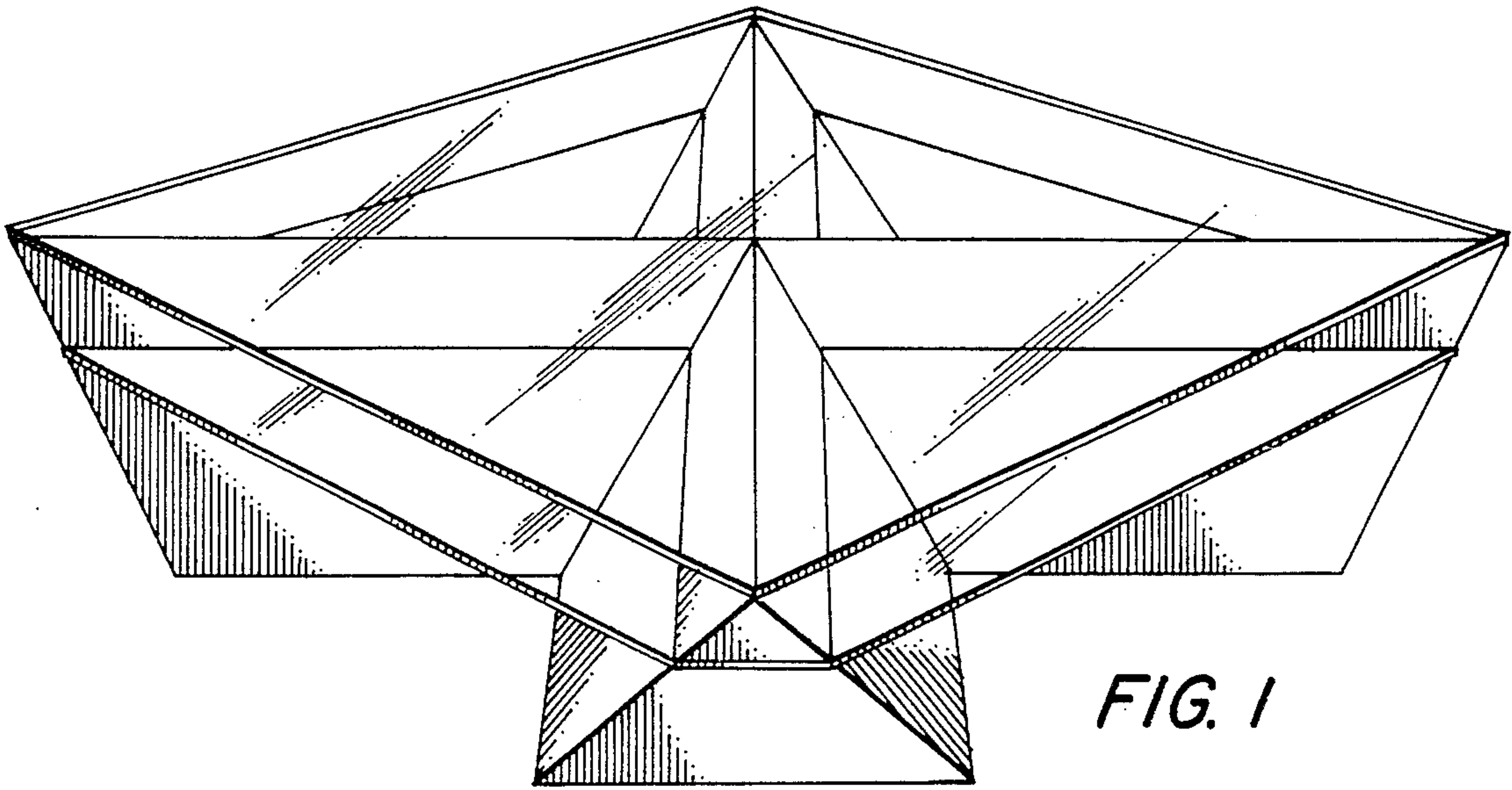
FIG. 2 is a second perspective view of said design, taken from a point rotated 45° from and lower than that of FIG. 1;

FIG. 3 is an elevational view showing one of the four identical sides;

FIG. 4 is a top plan view looking down at the transparent top of said design;

FIG. 5 is a bottom plan view of said design.





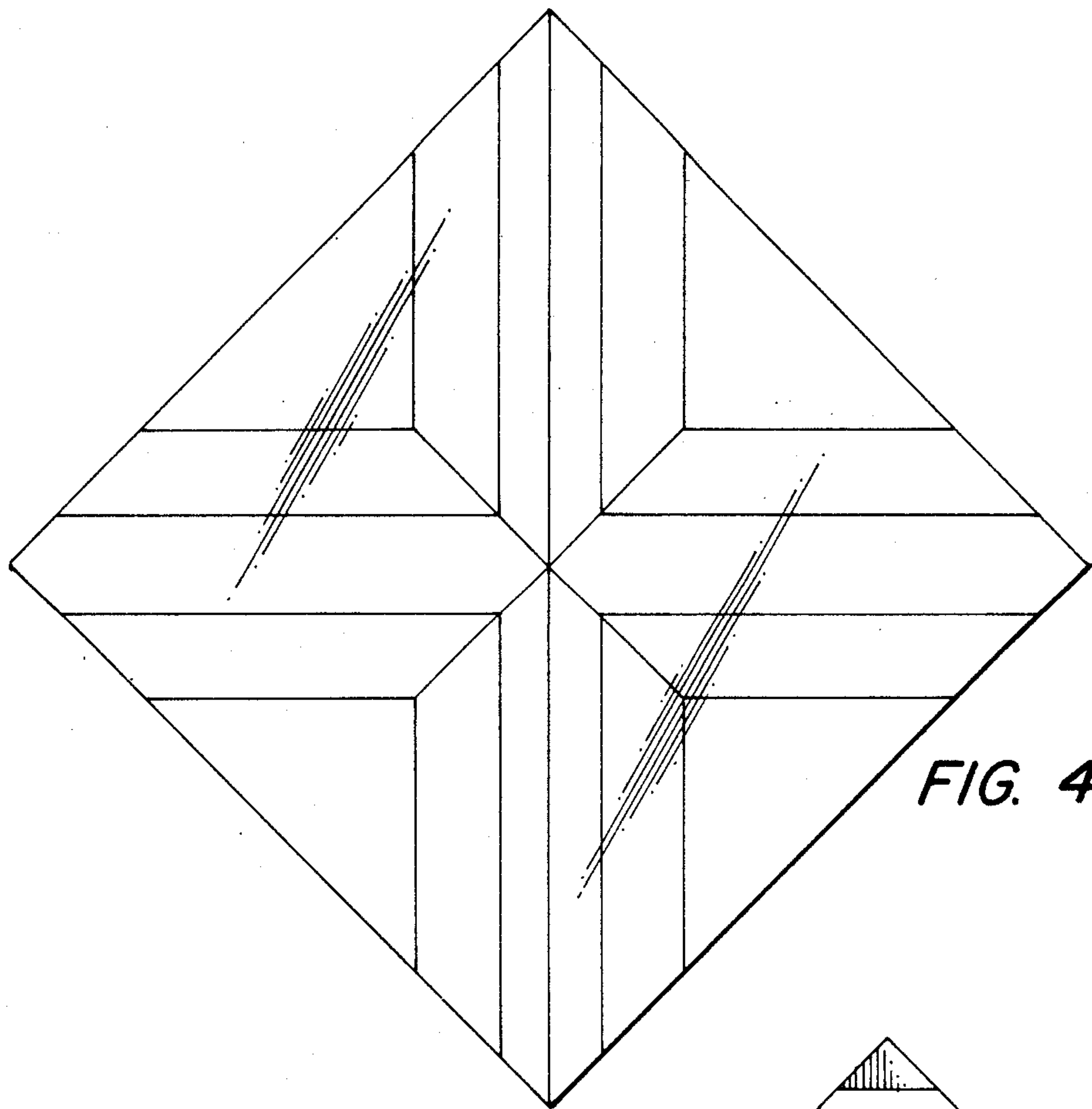


FIG. 5

