

[54] COFFEE TABLE

[76] Inventor: Maureen E. Lundy, 2401 Pennsylvania Ave., Wilmington, Del. 19806

[**] Term: 14 Years

[21] Appl. No.: 682,891

[22] Filed: Dec. 18, 1984

[52] U.S. Cl. D6/484

[58] Field of Search D6/449, 480, 481, 482, D6/484, 486, 487

[56] References Cited

U.S. PATENT DOCUMENTS

- D. 97,142 10/1935 Millington D6/484 X
- D. 264,410 5/1982 Lange D6/484
- D. 273,738 5/1984 Keiser D6/462

- D. 278,577 4/1985 Gwathmey D6/484
- D. 278,584 4/1985 Bromley D6/484

Primary Examiner—Bruce W. Dunkins

[57] CLAIM

The ornamental design for a coffee table, as shown.

DESCRIPTION

FIG. 1 is a top plan view of a coffee table showing my new design;
 FIG. 2 is a side elevational view;
 FIG. 3 is an elevational view showing the side opposite that shown in FIG. 2;
 FIG. 4 is an end elevational view taken from the right in FIG. 1;
 FIG. 5 is an elevational view taken from the left in FIG. 1; and
 FIG. 6 is a perspective view thereof.

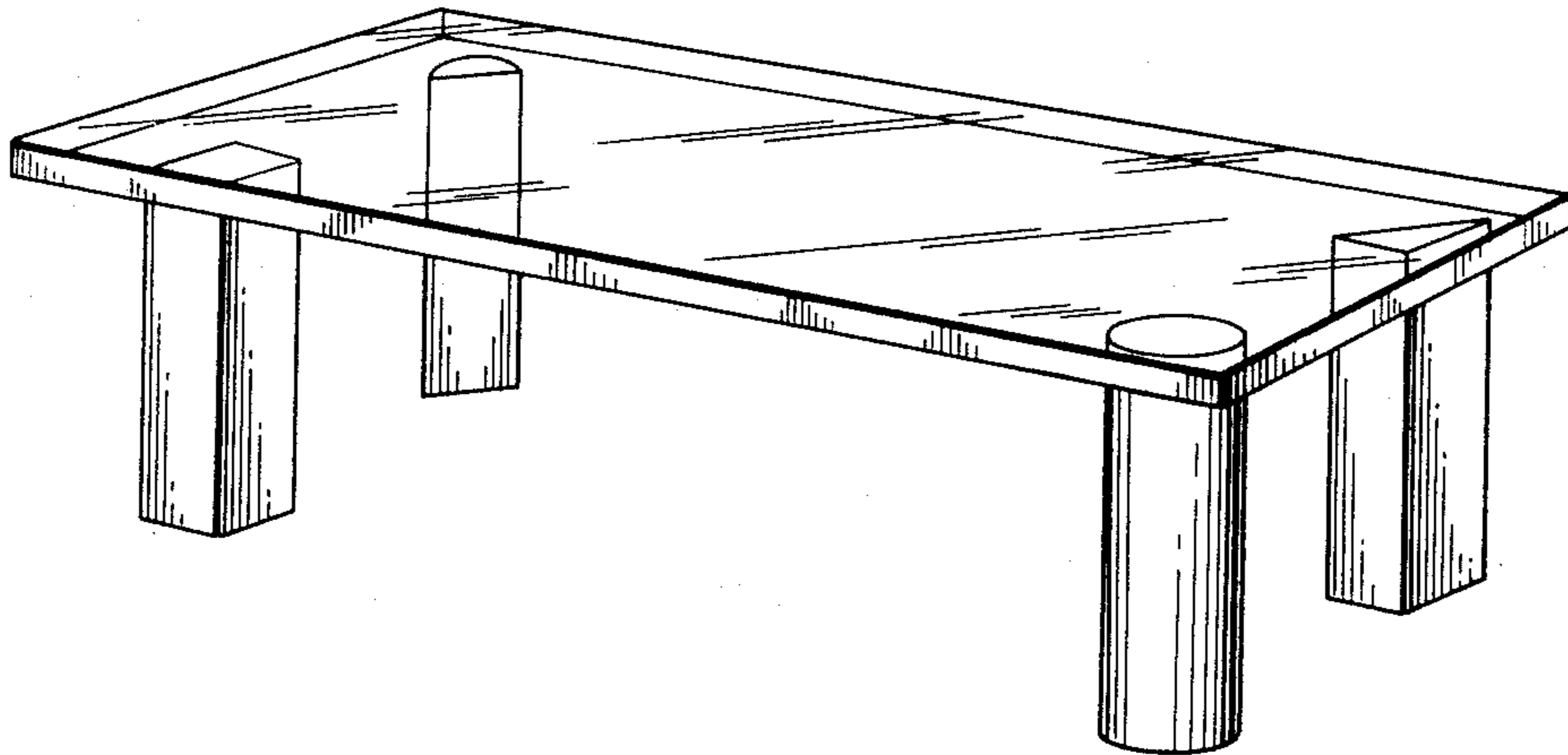


FIG. 1

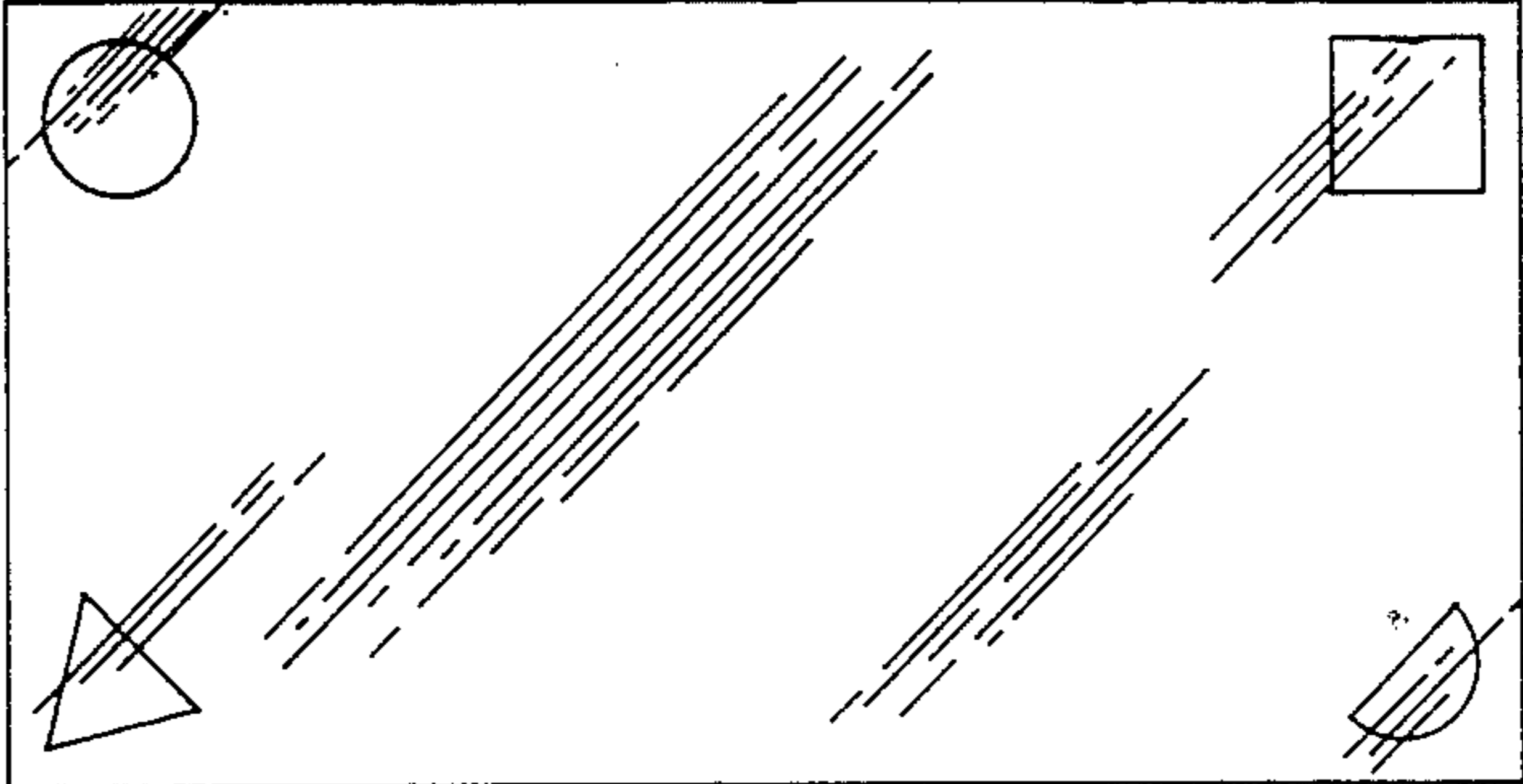


FIG. 2

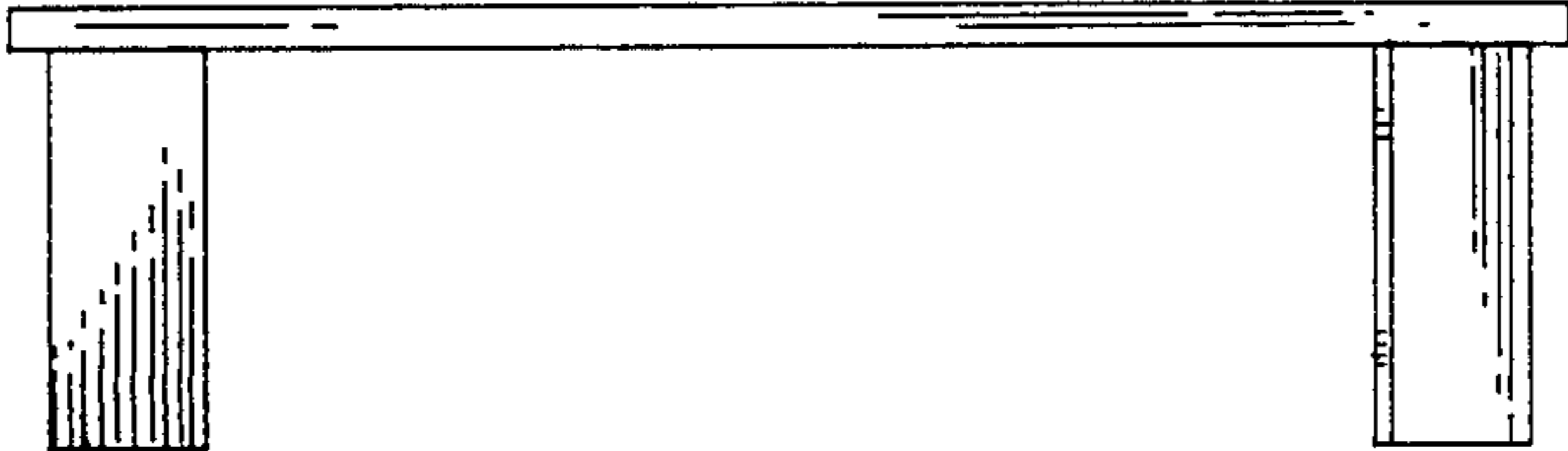


FIG. 3

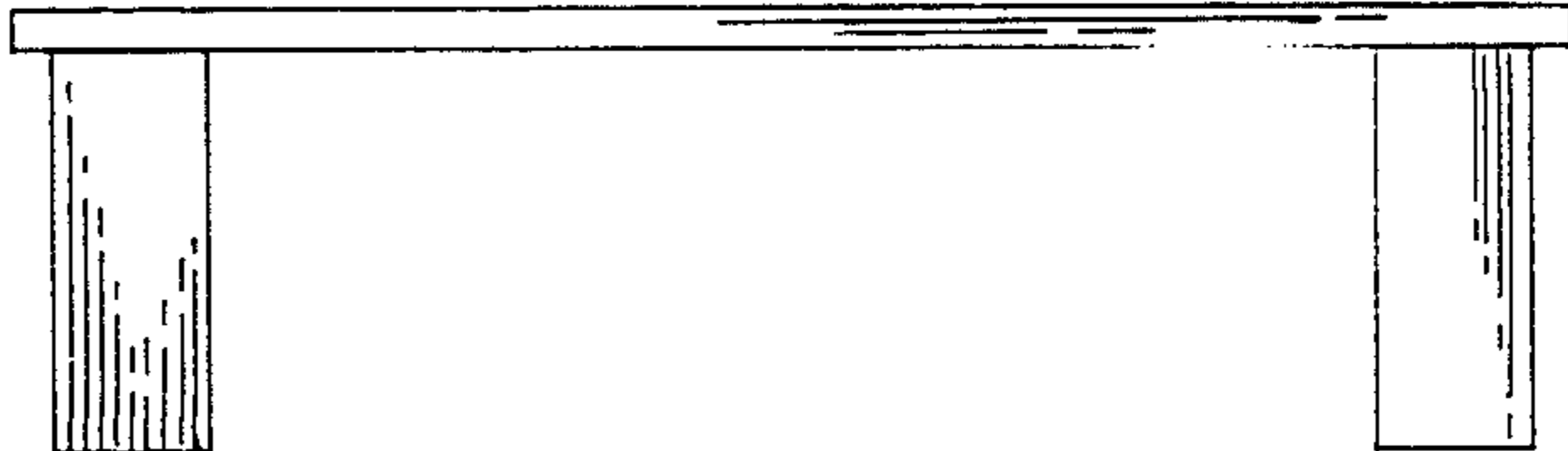


FIG. 4

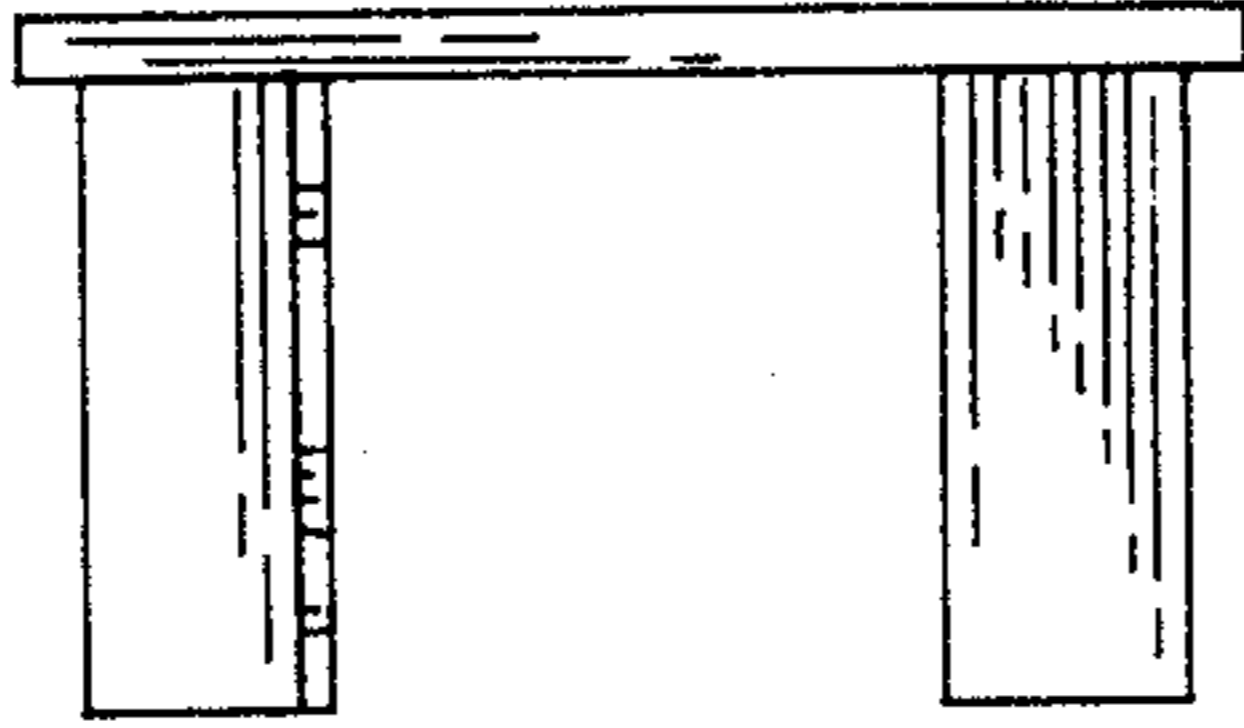
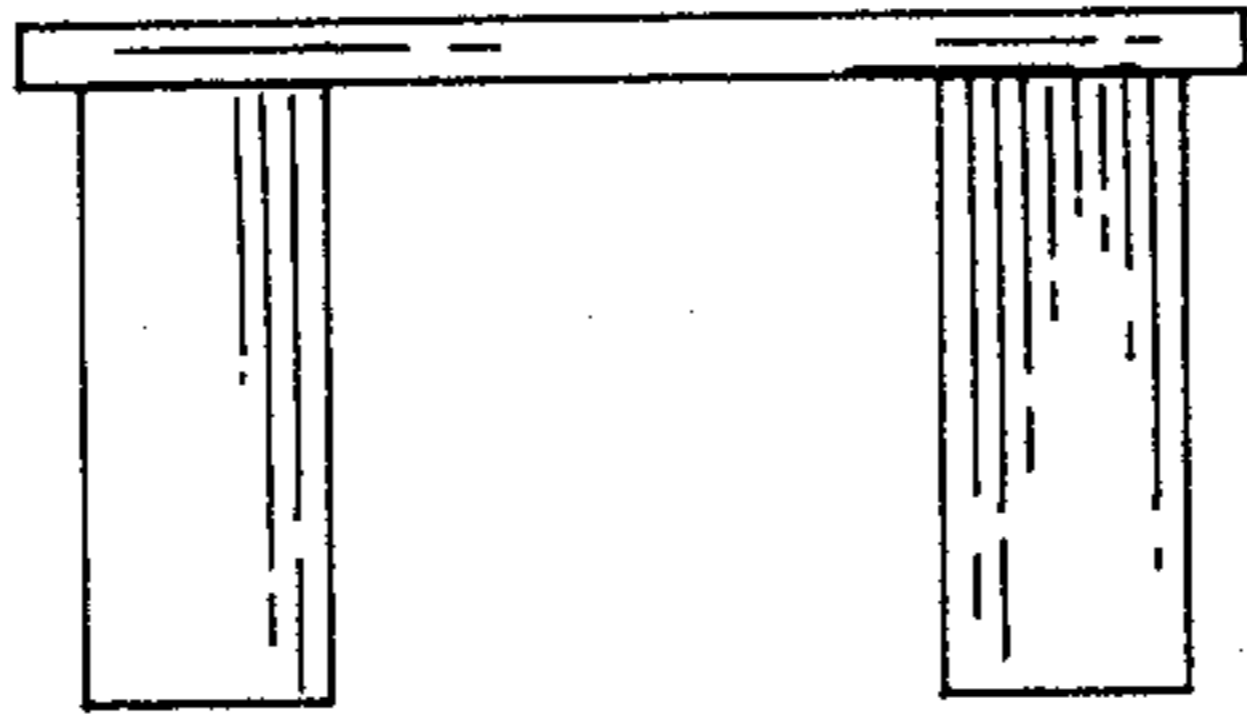


FIG. 5



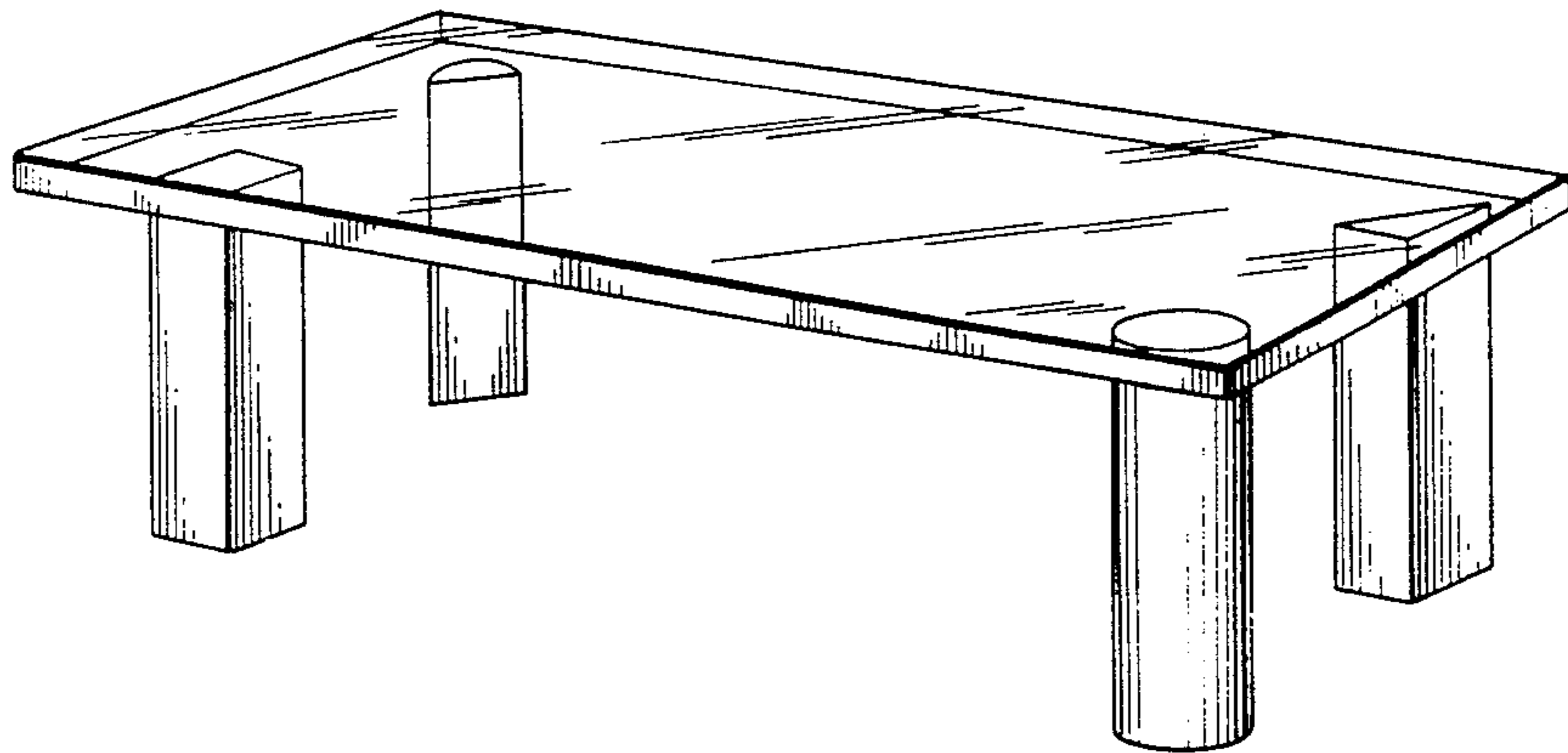


FIG. 6