

[54] **CHEST FREEZER**

[75] **Inventor: Ivano De Zolt, Bribano, Italy**

[73] **Assignee: Costan S.p.A., Italy**

[**] **Term: 14 Years**

[21] **Appl. No.: 634,508**

[22] **Filed: Jul. 26, 1984**

[30] **Foreign Application Priority Data**

Feb. 6, 1984 [IT] Italy 20750/84[U]

[52] **U.S. Cl. D6/472**

[58] **Field of Search D6/470, 471, 472, 481;
312/114, 116**

[56] **References Cited**

U.S. PATENT DOCUMENTS

D. 203,489 1/1966 Cullen D6/471

D. 205,873 9/1966 Burtis D6/471
D. 279,413 6/1985 Balducci D6/472 X

FOREIGN PATENT DOCUMENTS

2904873 8/1980 Fed. Rep. of Germany 312/114

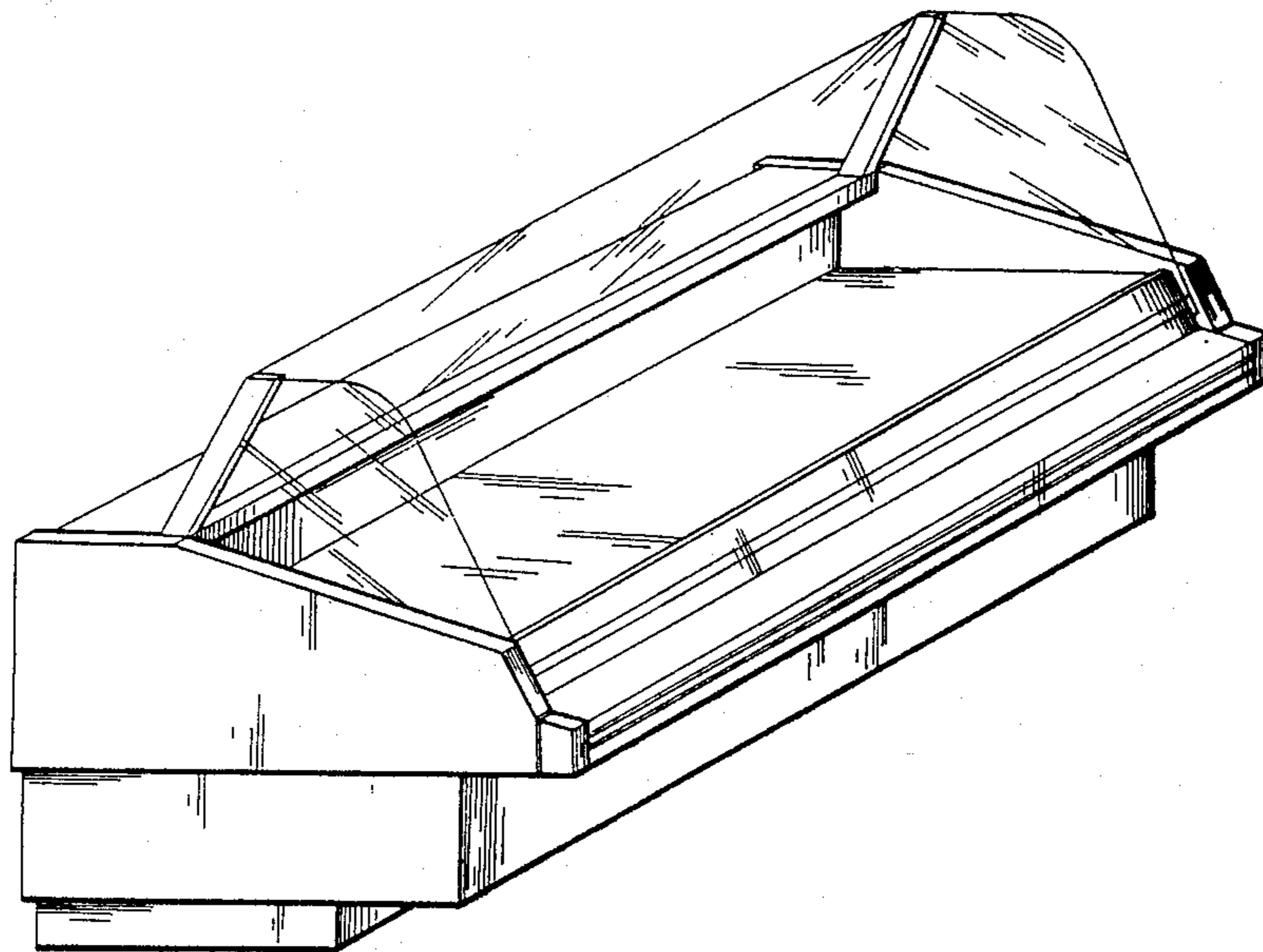
Primary Examiner—Carmen H. Vales
Attorney, Agent, or Firm—Sughrue, Mion, Zinn,
Macpeak, and Seas

[57] **CLAIM**

The ornamental design for a chest freezer, as shown and described.

DESCRIPTION

FIG. 1 is a front perspective view of a chest freezer showing my new design;
FIG. 2 is a left side elevational view, the right side being a mirror image thereof; and
FIG. 3 is a rear elevational view thereof.



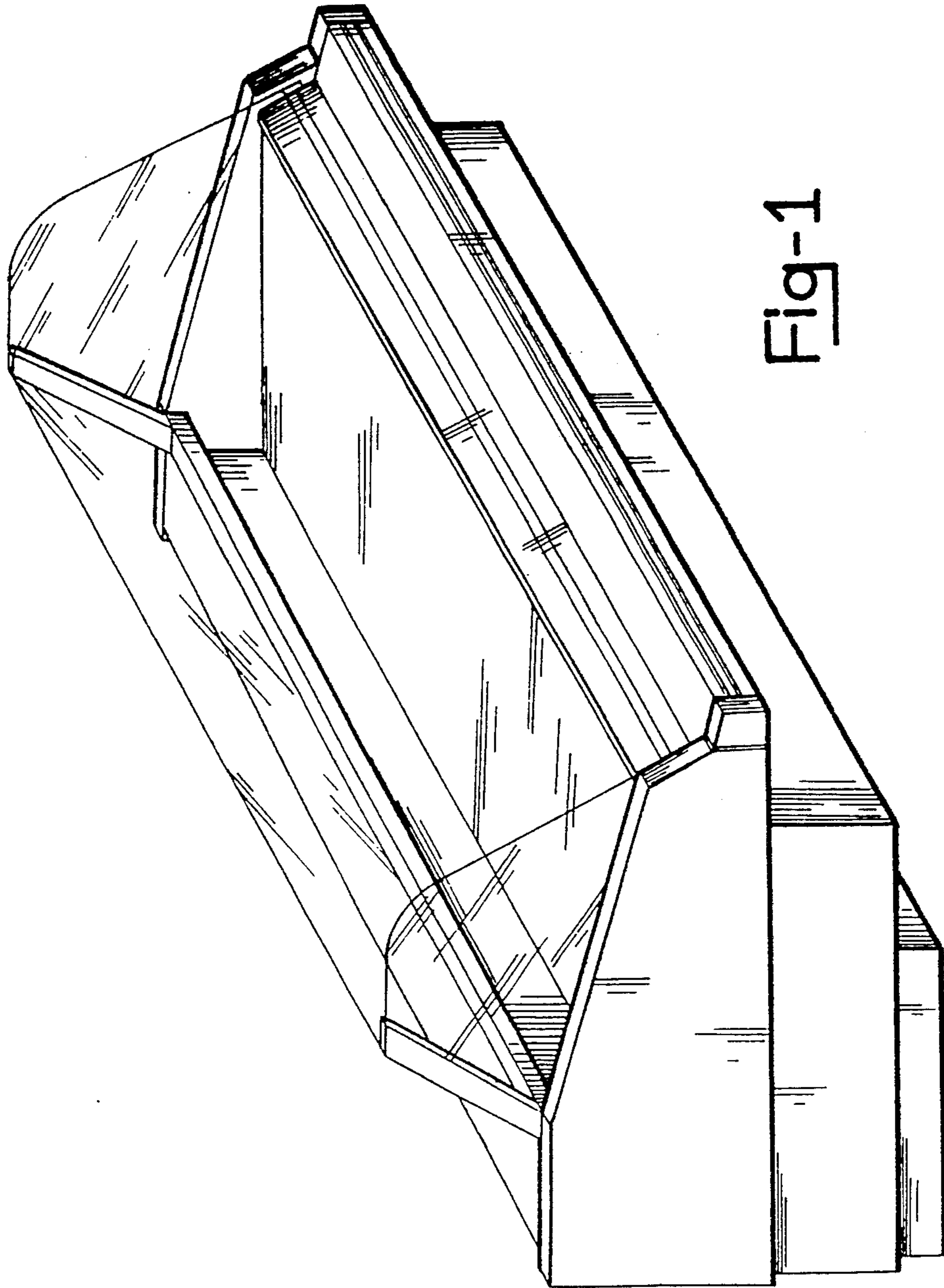


Fig-1

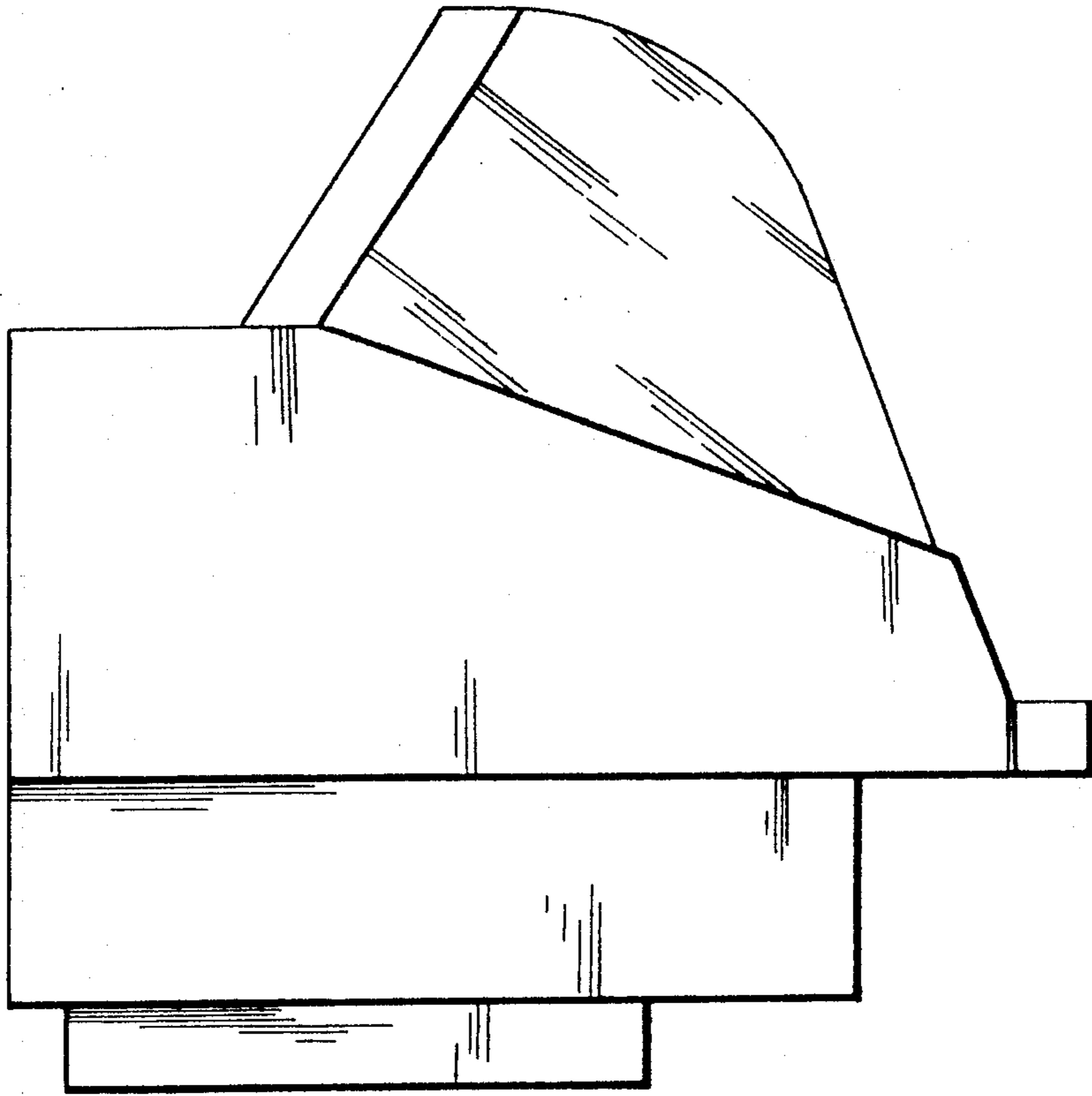


Fig-2

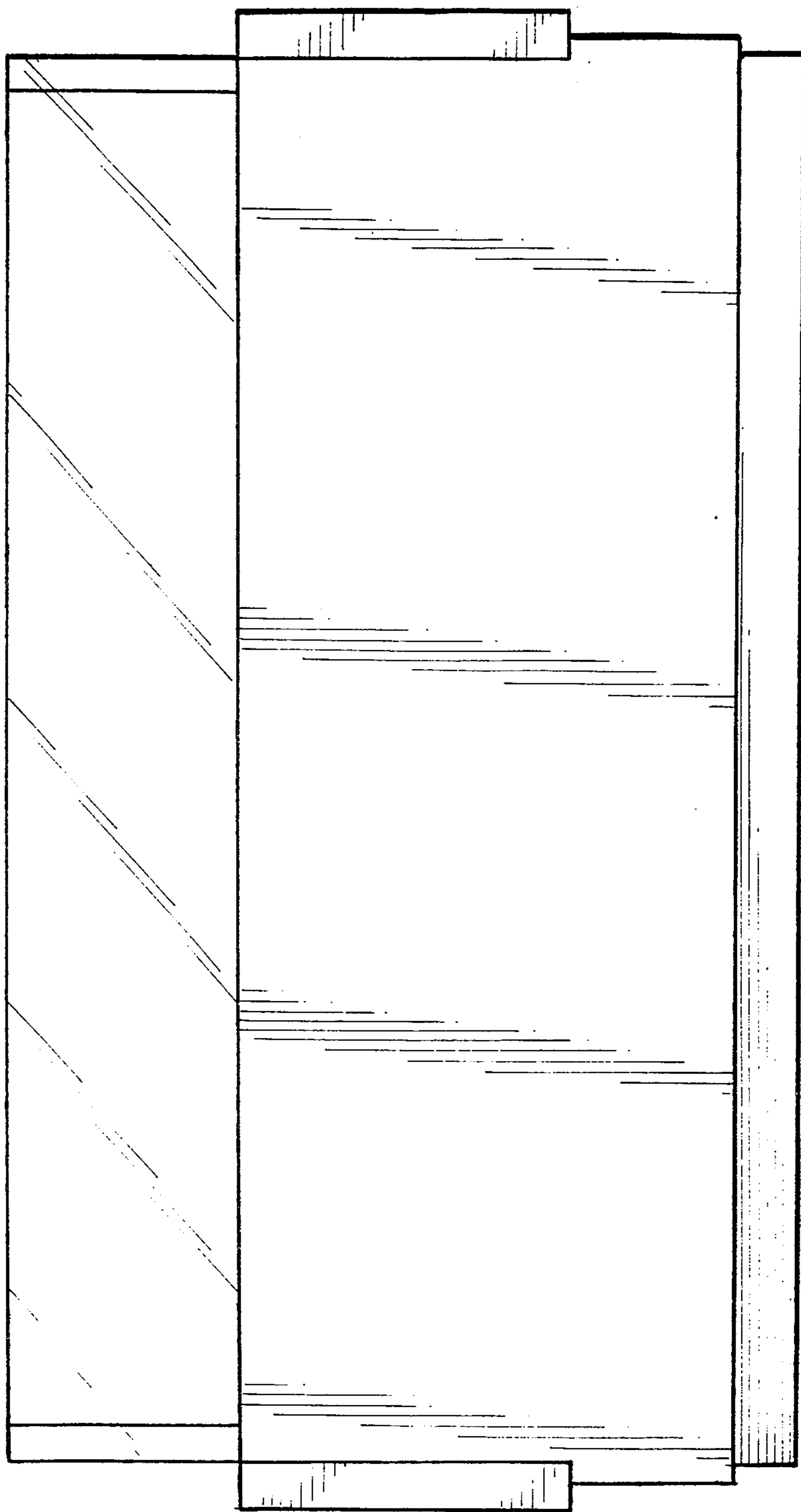


Fig-3