

[54] **SUPPORT STAND**

[76] **Inventor: Jacob E. Joseph, 3401 S. Salem Church Rd., Dover, Pa. 17315**

[**] **Term: 14 Years**

[21] **Appl. No.: 699,190**

[22] **Filed: Feb. 7, 1985**

[52] **U.S. Cl. D6/449**

[58] **Field of Search D6/403, 462, 405, 480, D6/429, 430, 431, 349, 353, 449; 211/13, 40, 41**

[56] **References Cited**

U.S. PATENT DOCUMENTS

D. 162,045	2/1951	Lee	D6/429 X
D. 252,432	7/1979	Brelsford	D6/429 X
2,331,239	10/1943	Schock et al.	211/40
4,229,038	10/1980	Prost	D6/353 X

FOREIGN PATENT DOCUMENTS

1182447 11/1964 Fed. Rep. of Germany 211/40

OTHER PUBLICATIONS

Design, Sep. 1976, p. 24; Stool shown at center of page.

Primary Examiner—Carmen H. Vales

[57] **CLAIM**

The ornamental design for a support stand, as shown and described.

DESCRIPTION

FIG. 1 is a top plan view of a support stand showing my new design;

FIG. 2 is a bottom plan view thereof;

FIG. 3 is a front elevational view, the rear view being identical thereto; and

FIG. 4 is a side elevational view, the opposite side being identical thereto.

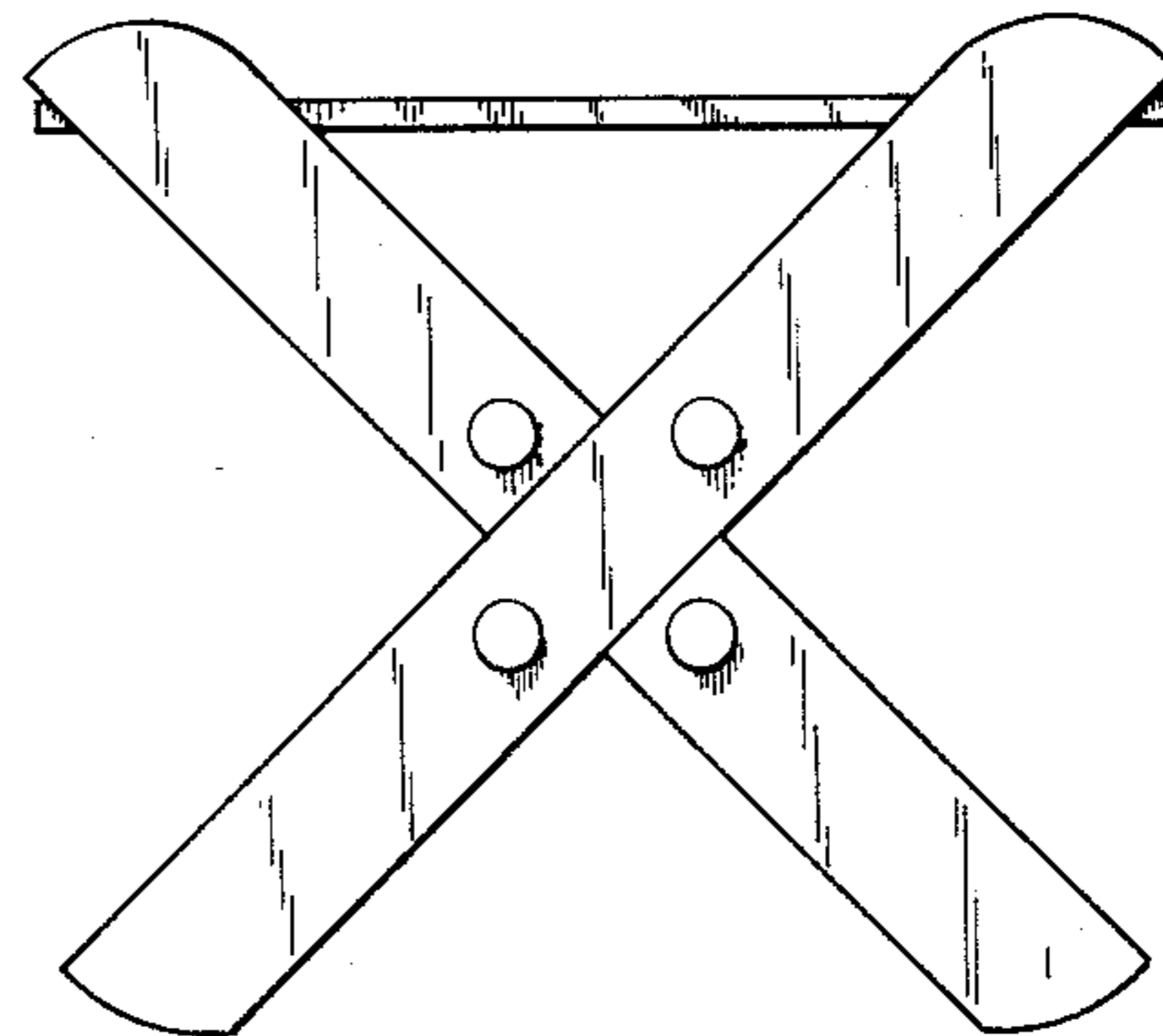
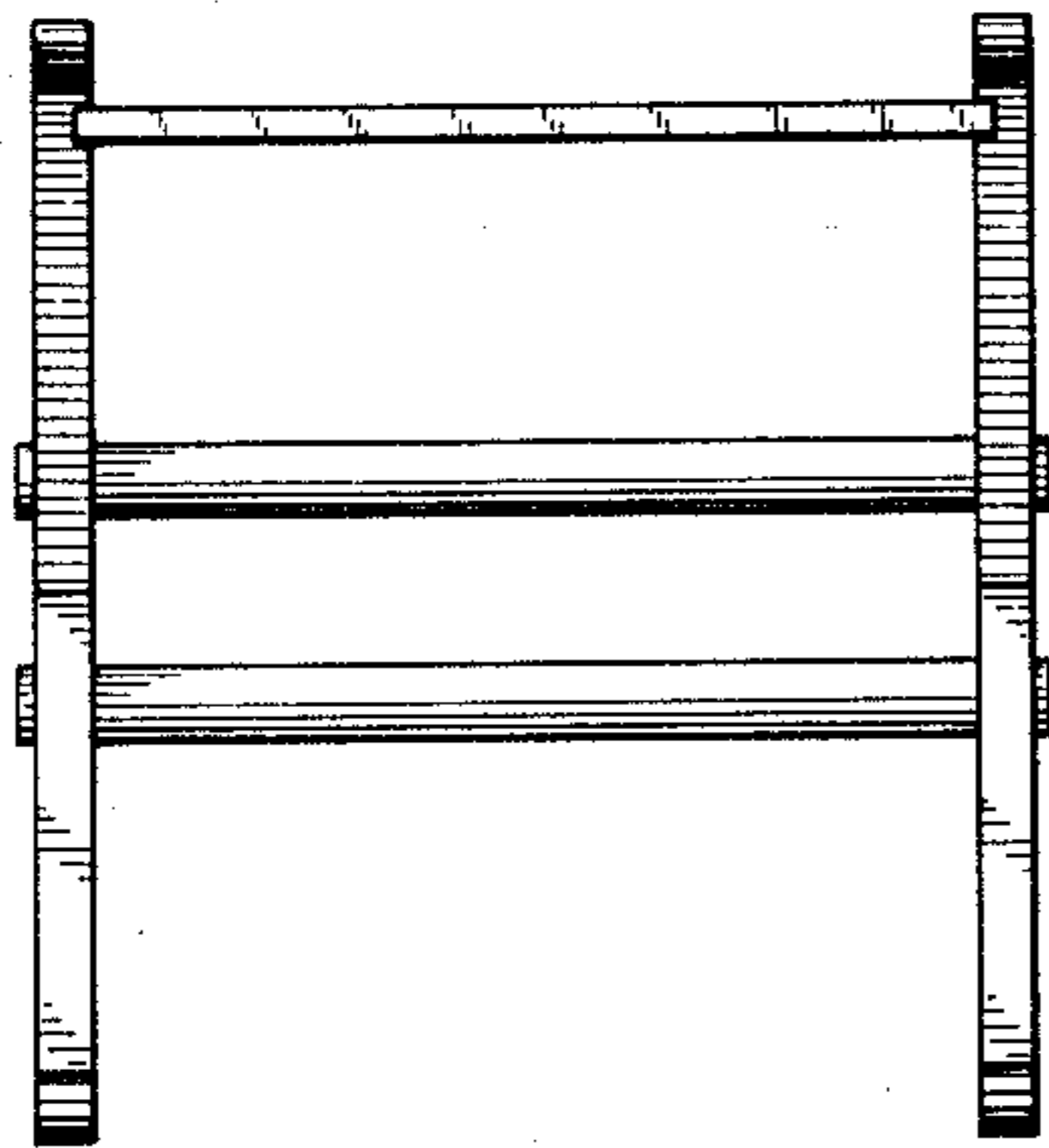


Fig. 2

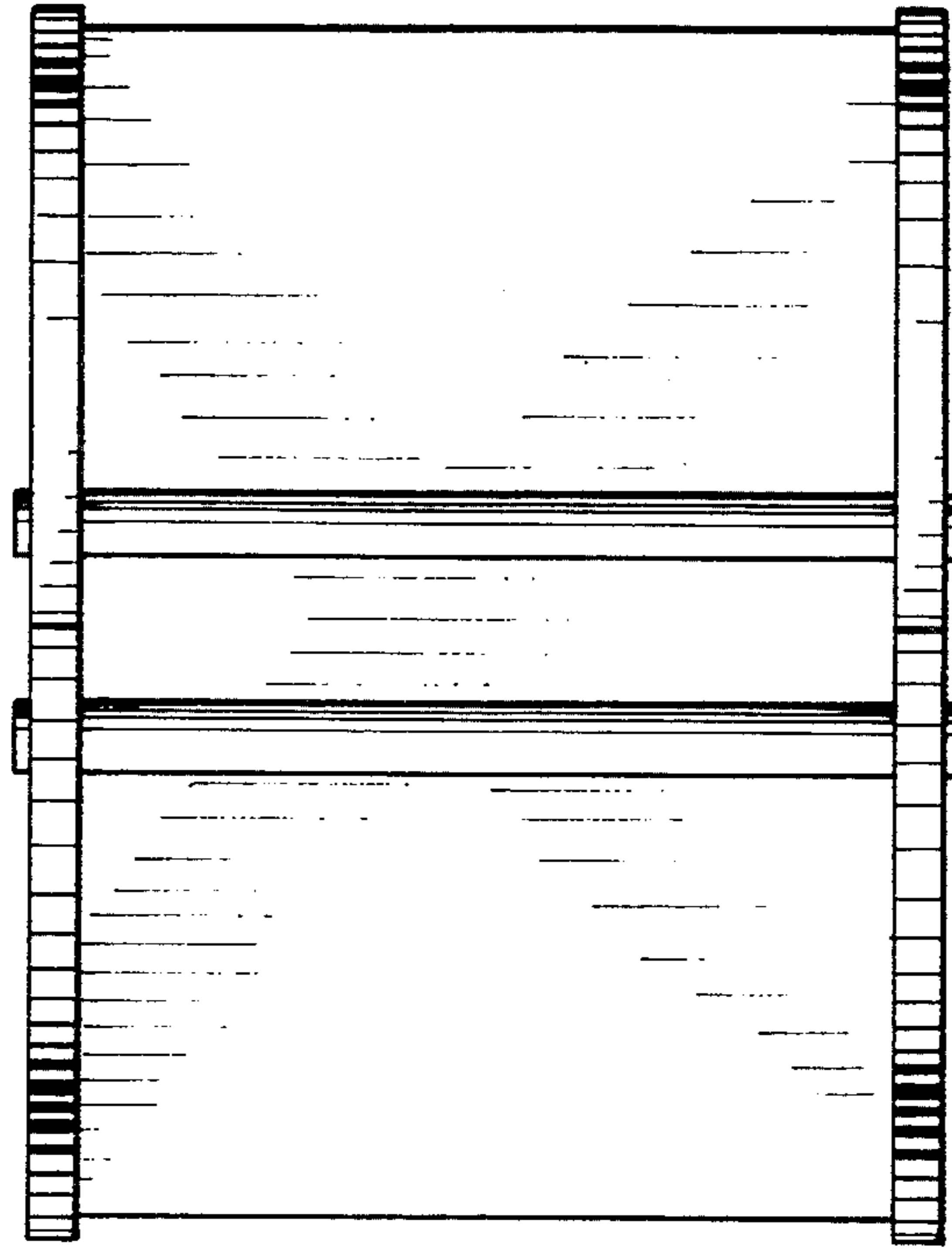


Fig. 1

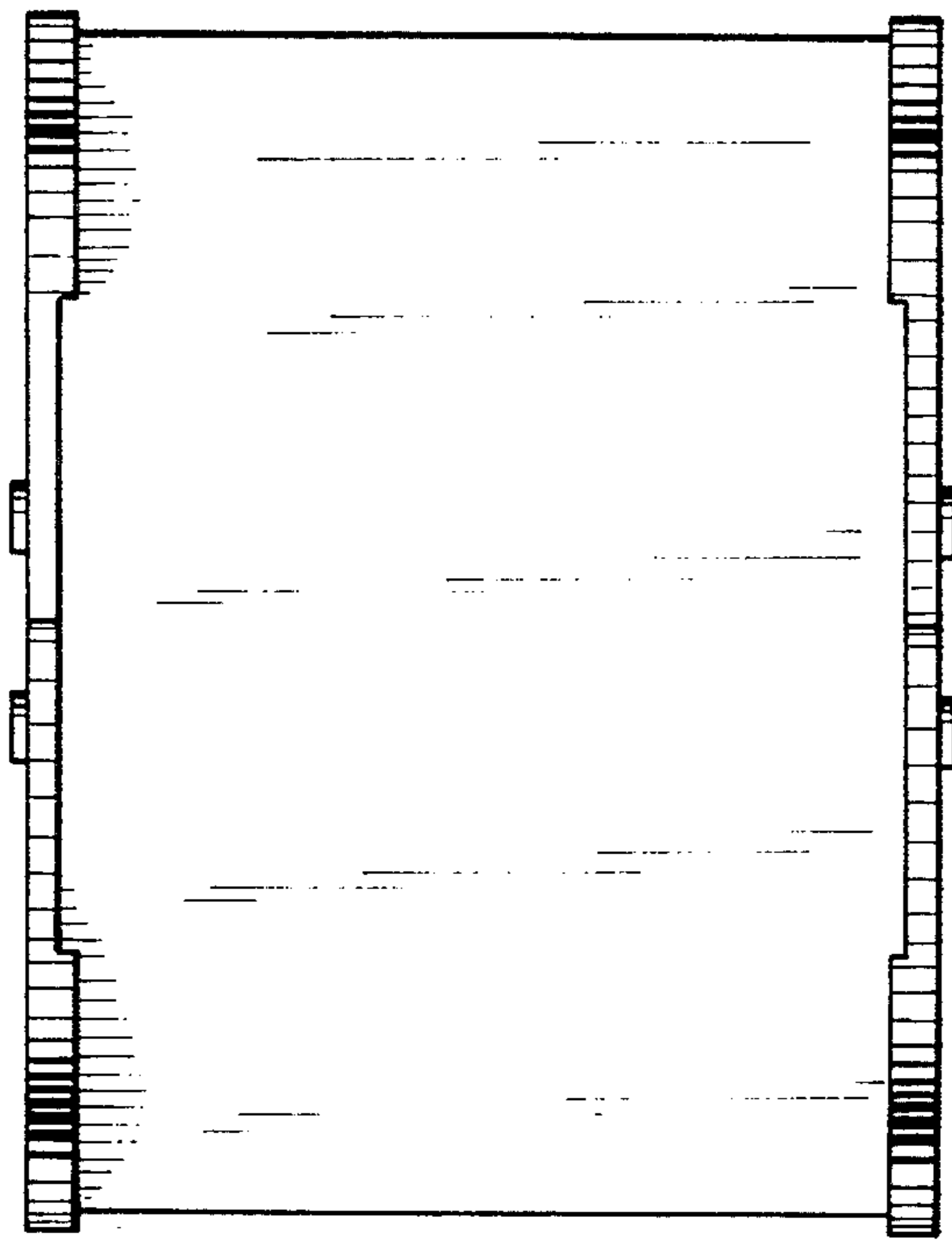


Fig. 4

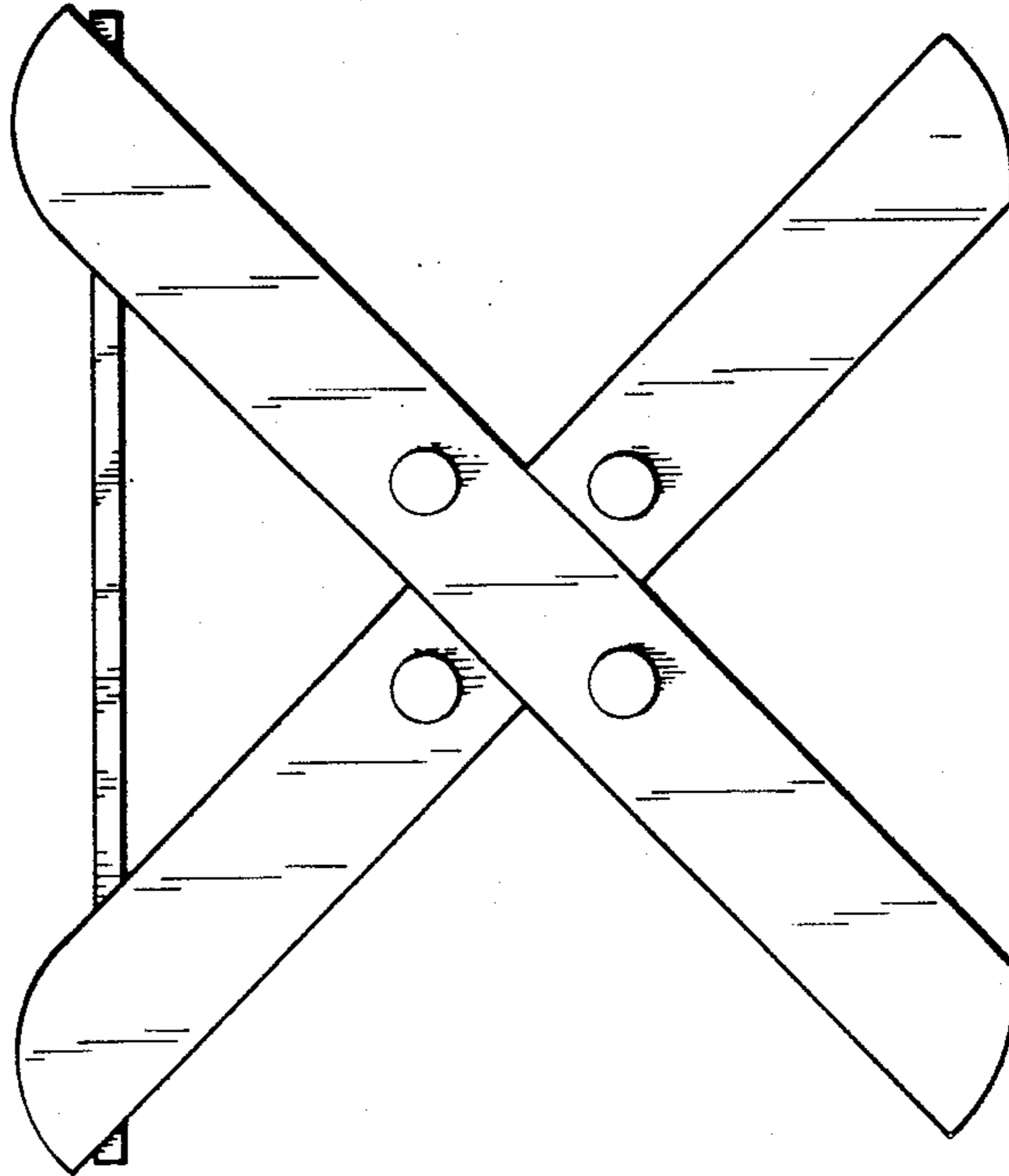


Fig. 3

