

[54] COMBINED PICNIC TABLE AND BARBEQUE GRILL

[76] Inventor: Kwan S. Jung, 54-18, 1-Ka, Myongdong, Chung-Ku, Seoul, Rep. of Korea

[\*\*] Term: 14 Years

[21] Appl. No.: 688,860

[22] Filed: Jan. 4, 1985

[30] Foreign Application Priority Data

Jul. 5, 1984 [KR] Rep. of Korea ..... 84-7908

[52] U.S. Cl. .... D6/337; D7/332

[58] Field of Search ..... D6/335, 336, 337; D7/332; 297/157

[56] References Cited

U.S. PATENT DOCUMENTS

- D. 229,660 12/1973 Gammon ..... D7/332
- D. 242,203 11/1976 Falbo ..... D6/337 X
- D. 252,492 7/1979 Synder ..... D6/337 X

- D. 253,931 1/1980 De Vischer ..... D7/332
- 2,003,974 6/1935 Pearson ..... D7/332 X
- 2,583,247 1/1952 Aja et al. .... D6/337 X

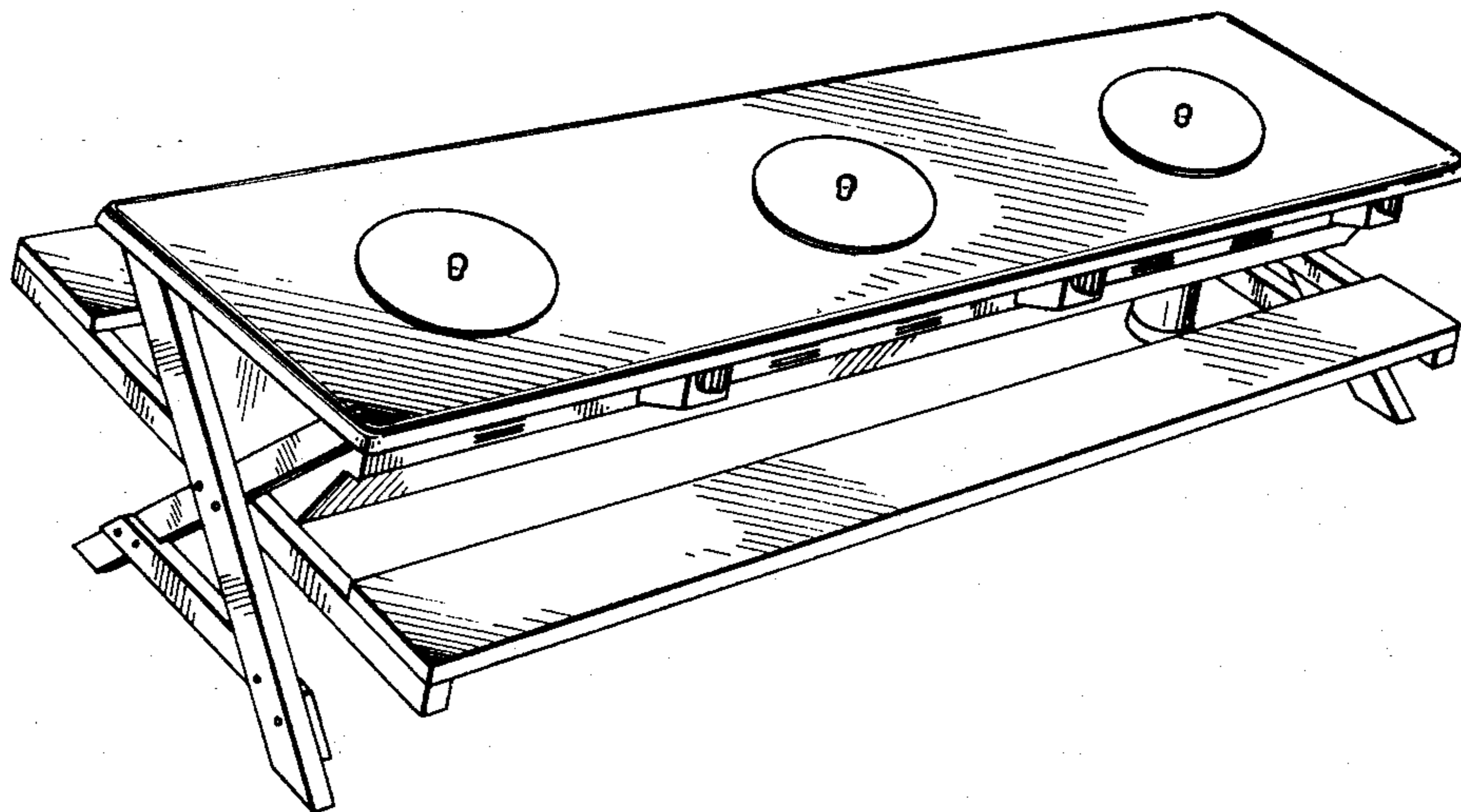
Primary Examiner—Bruce W. Dunkins  
Attorney, Agent, or Firm—Birch, Stewart, Kolasch & Birch

[57] CLAIM

The ornamental design for a combined picnic table and barbeque grill, as shown and described.

DESCRIPTION

FIG. 1 is a perspective view of a combined picnic table and barbeque grill showing my design;  
 FIG. 2 is a top plan view of the table of FIG. 1;  
 FIG. 3 is a front view of the table of FIG. 1;  
 FIG. 4 is a bottom view of the table of FIG. 1;  
 FIG. 5 is a rear view of the table of FIG. 1;  
 FIG. 6 is a right or left side view of the table of FIG. 1;  
 FIG. 7 is a cross-sectional view taken along line A-A' of FIG. 2; and  
 FIG. 8 is a perspective view of another embodiment of the design of the present invention.



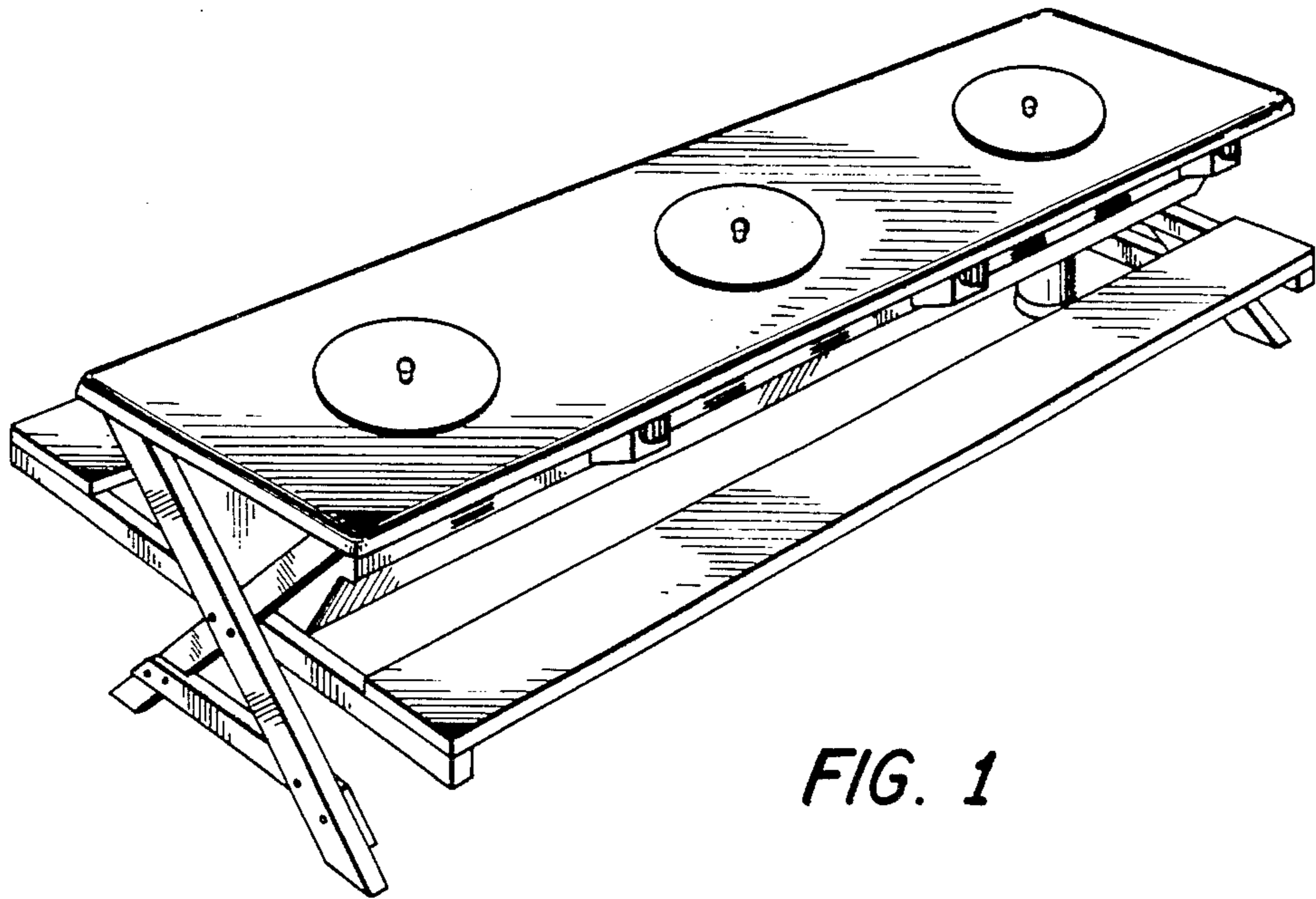
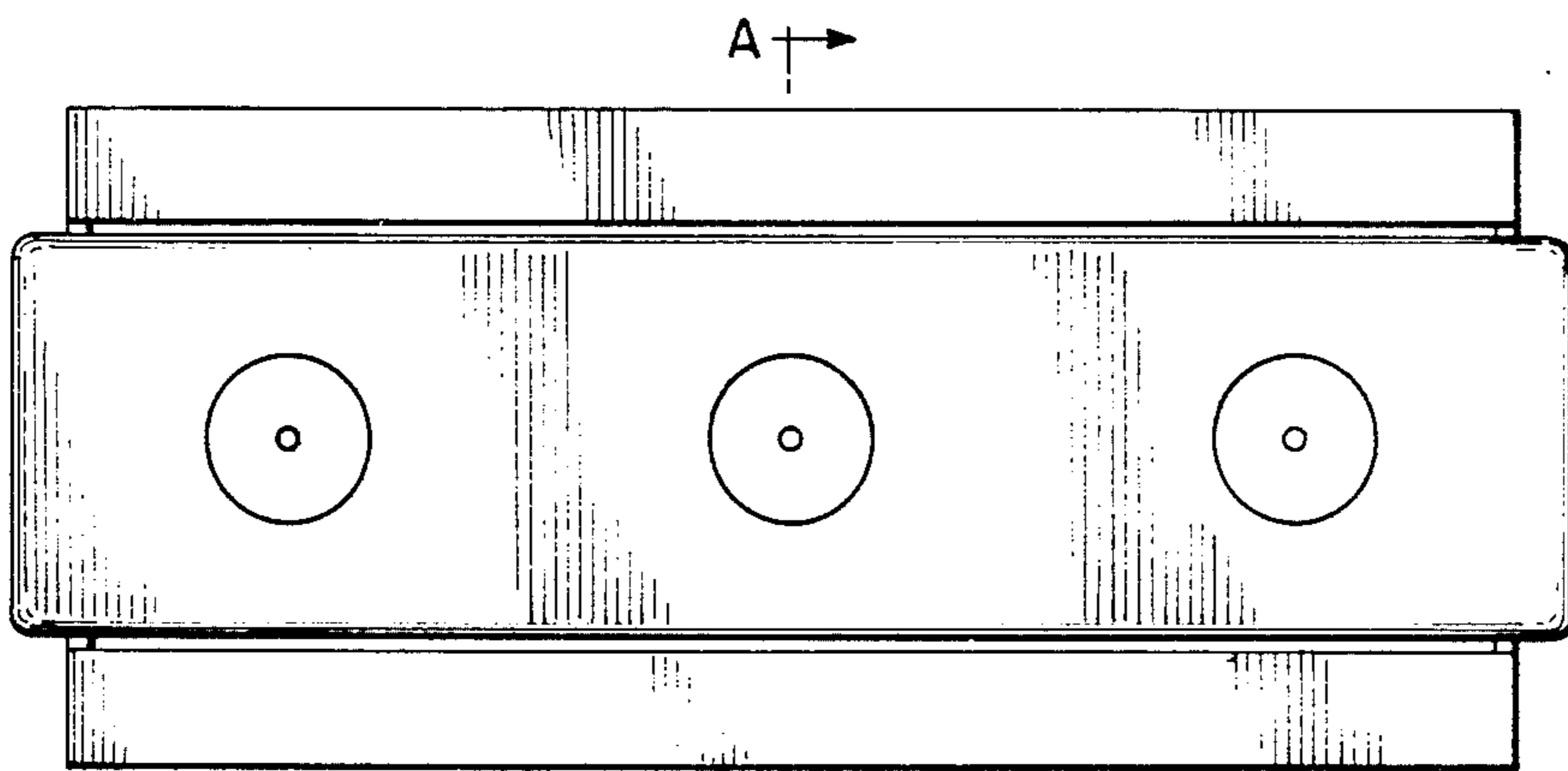


FIG. 1



A →  
FIG. 2

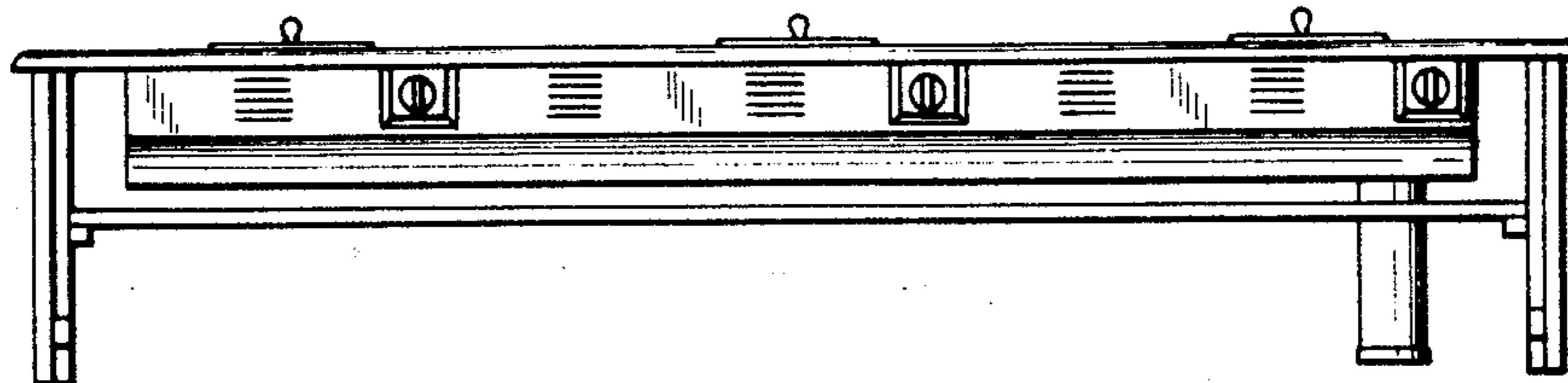


FIG. 3

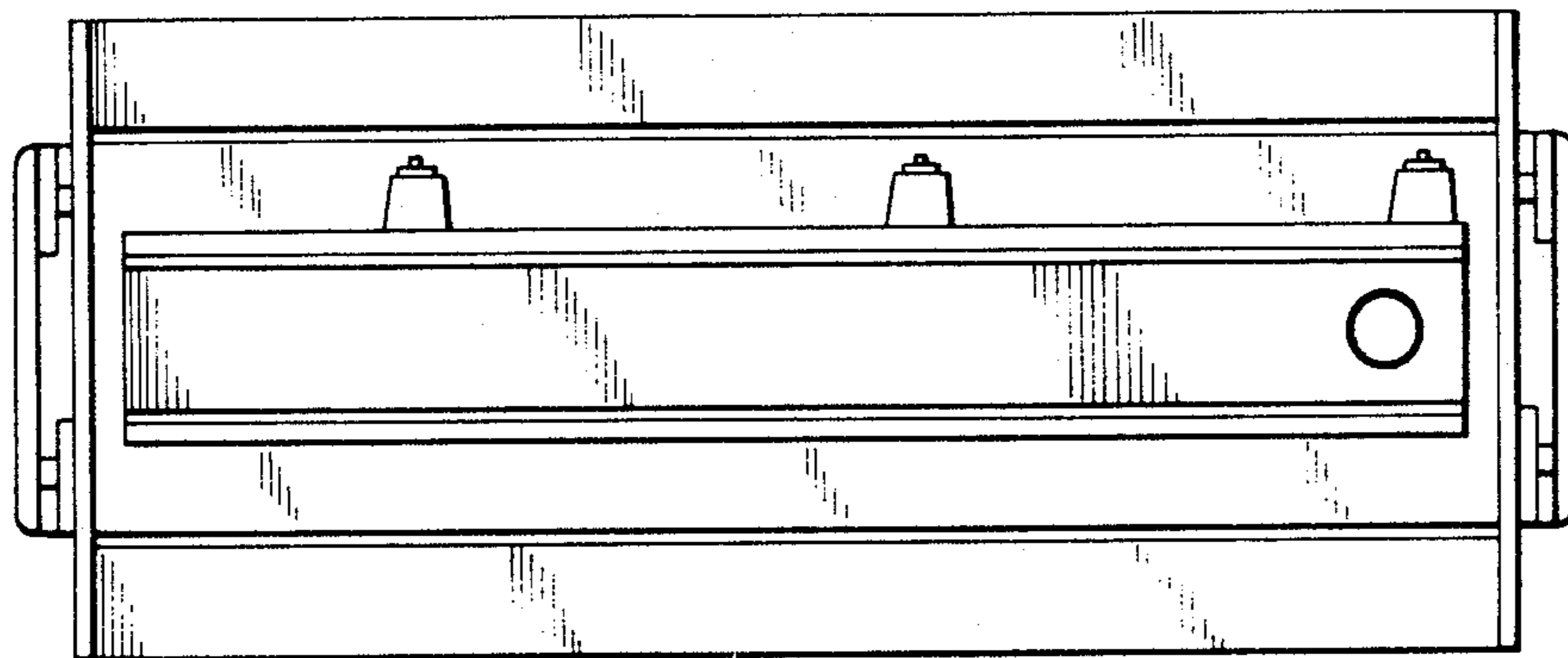


FIG. 4

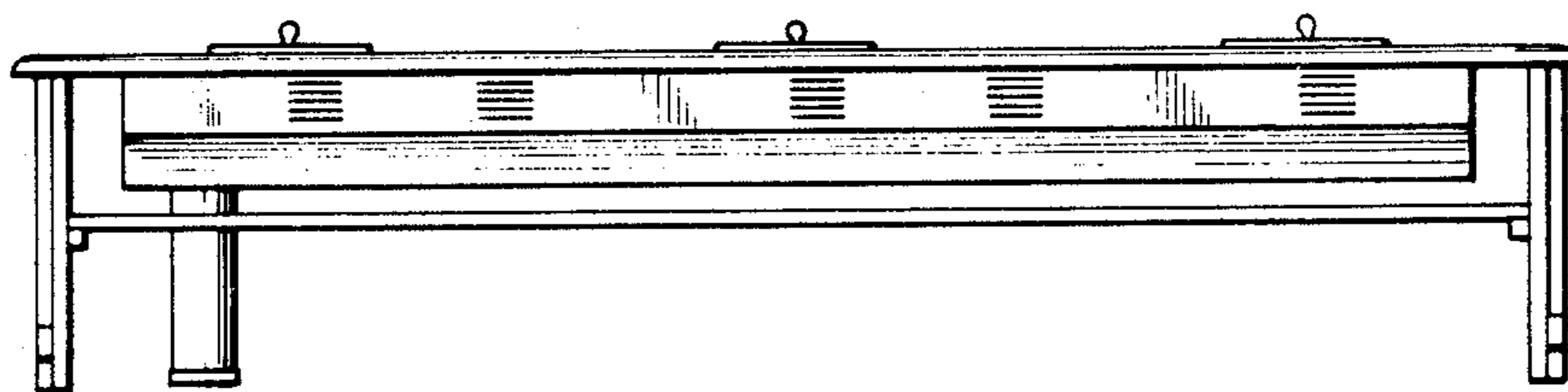
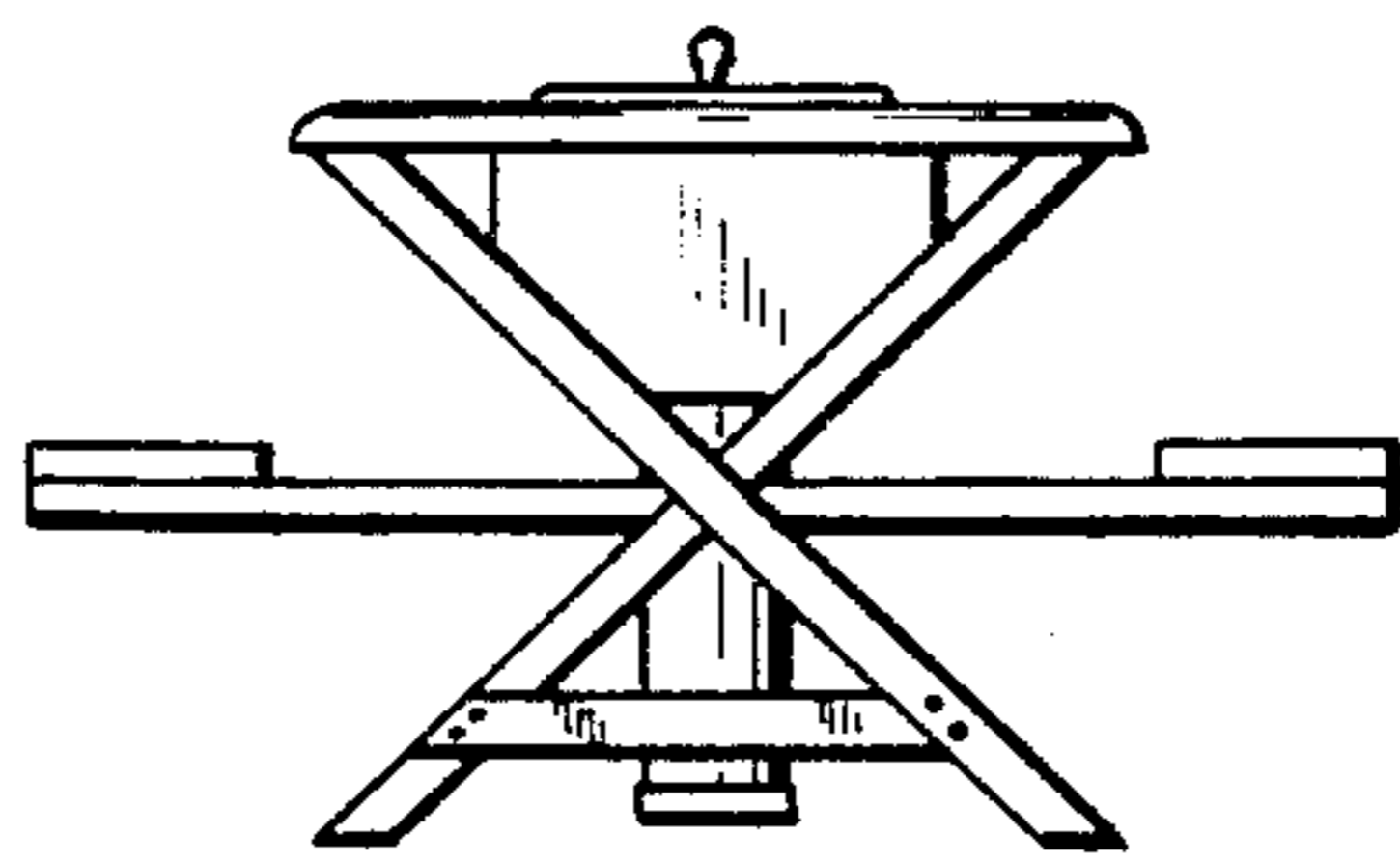
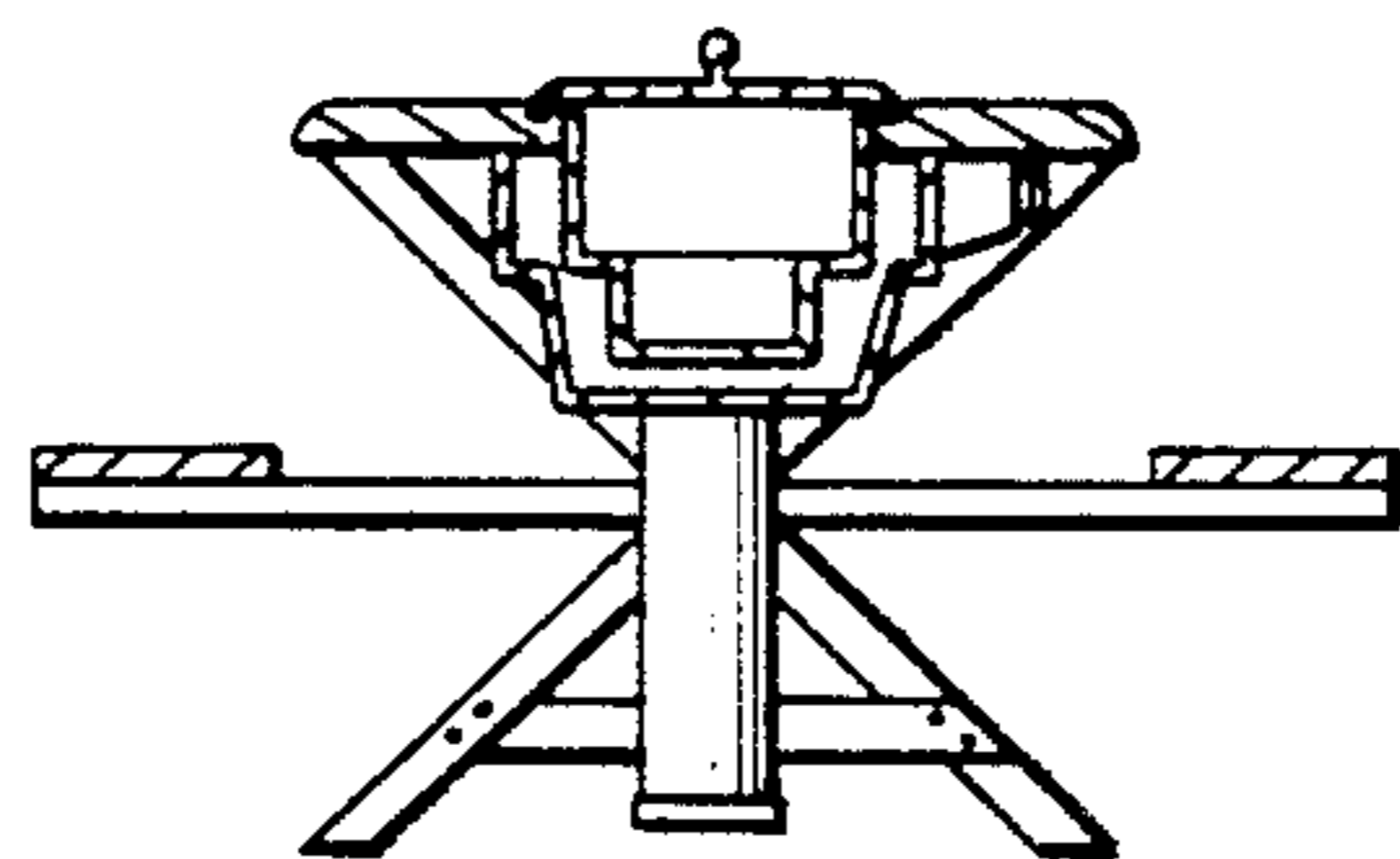


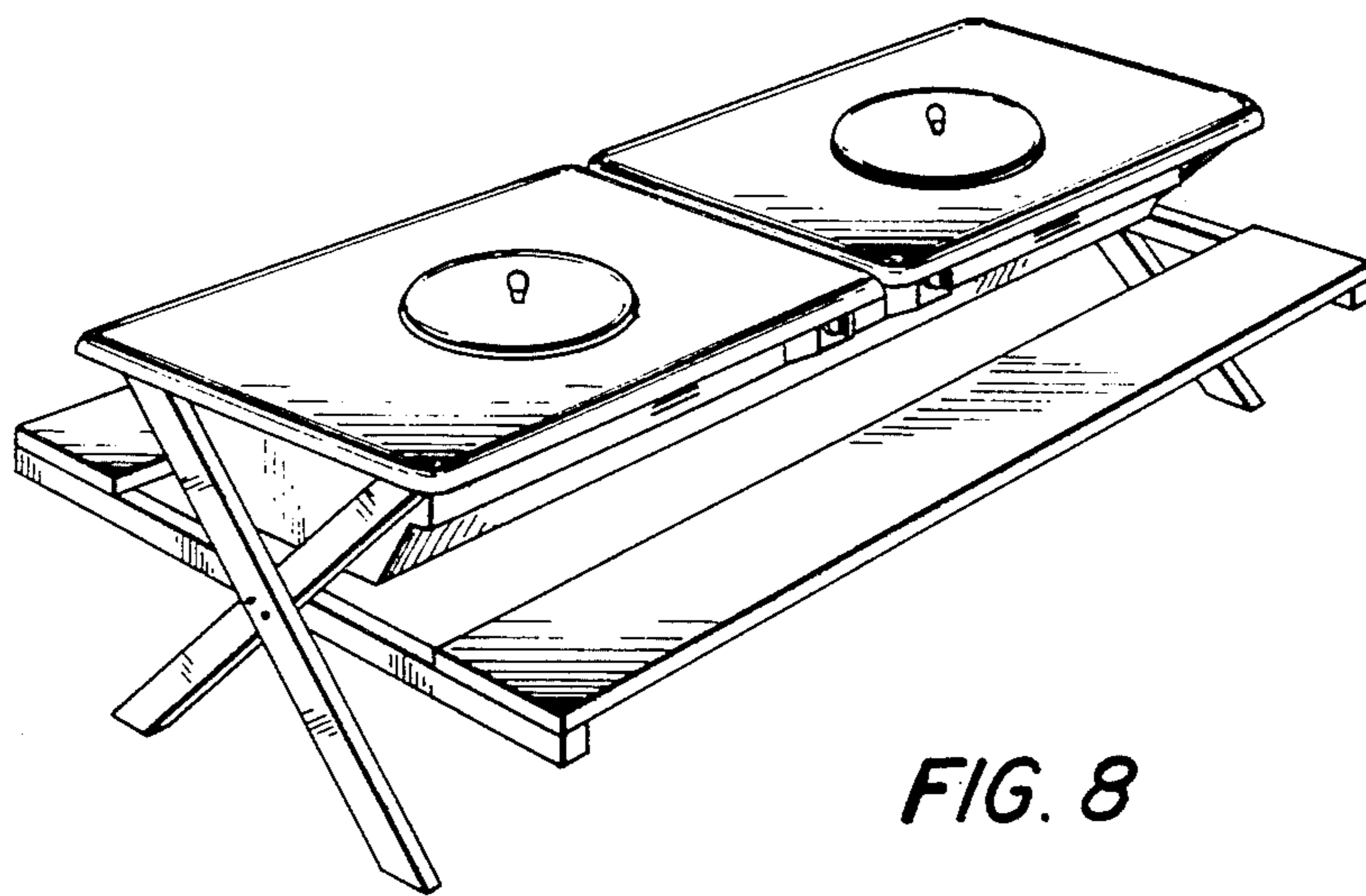
FIG. 5



*FIG. 6*



*FIG. 7*



*FIG. 8*