

[54] BREATHING GAS HEAT EXCHANGER

[76] Inventor: Nore Lindholm, Flintlasvagen 33, 191
54 Sollentuna, Sweden

[**] Term: 14 Years

[21] Appl. No.: 642,065

[22] Filed: Aug. 16, 1984

[30] Foreign Application Priority Data

Feb. 24, 1984 [SE] Sweden 84-0609
[52] U.S. Cl. D24/62
[58] Field of Search D24/34, 62; D29/7, 8;
128/136, 201.13, 204.17, 206.16, 206.24, 206.29,
201.26

[56]

References Cited

U.S. PATENT DOCUMENTS

D. 246,671 12/1977 Cerniway D29/7
3,107,667 10/1963 Moore 128/136
4,201,206 5/1980 Kuehn et al. 128/201.13

Primary Examiner—A. Hugo Word
Assistant Examiner—Stella M. Reid
Attorney, Agent, or Firm—Collard, Roe & Galgano

[57]

CLAIM

The ornamental design for a breathing gas heat exchanger, substantially as shown.

DESCRIPTION

FIG. 1 is a top plan view of a breathing gas heat exchanger showing my new design;
FIG. 2 is a right side elevational view thereof;
FIG. 3 is a bottom plan view thereof;
FIG. 4 is a left side elevational view thereof;
FIG. 5 is a front elevational view thereof; and
FIG. 6 is a rear elevational view thereof.

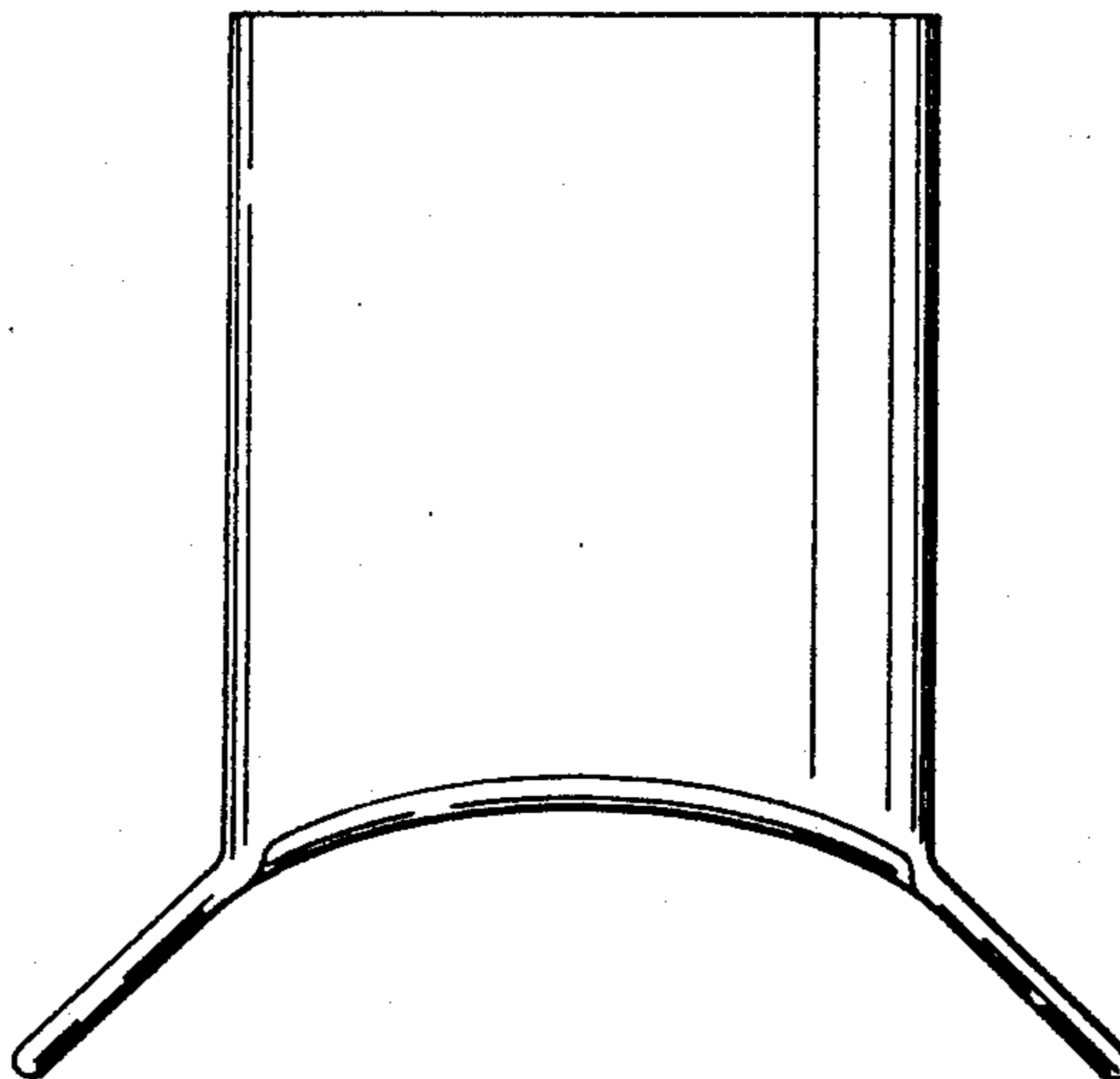


Fig.1

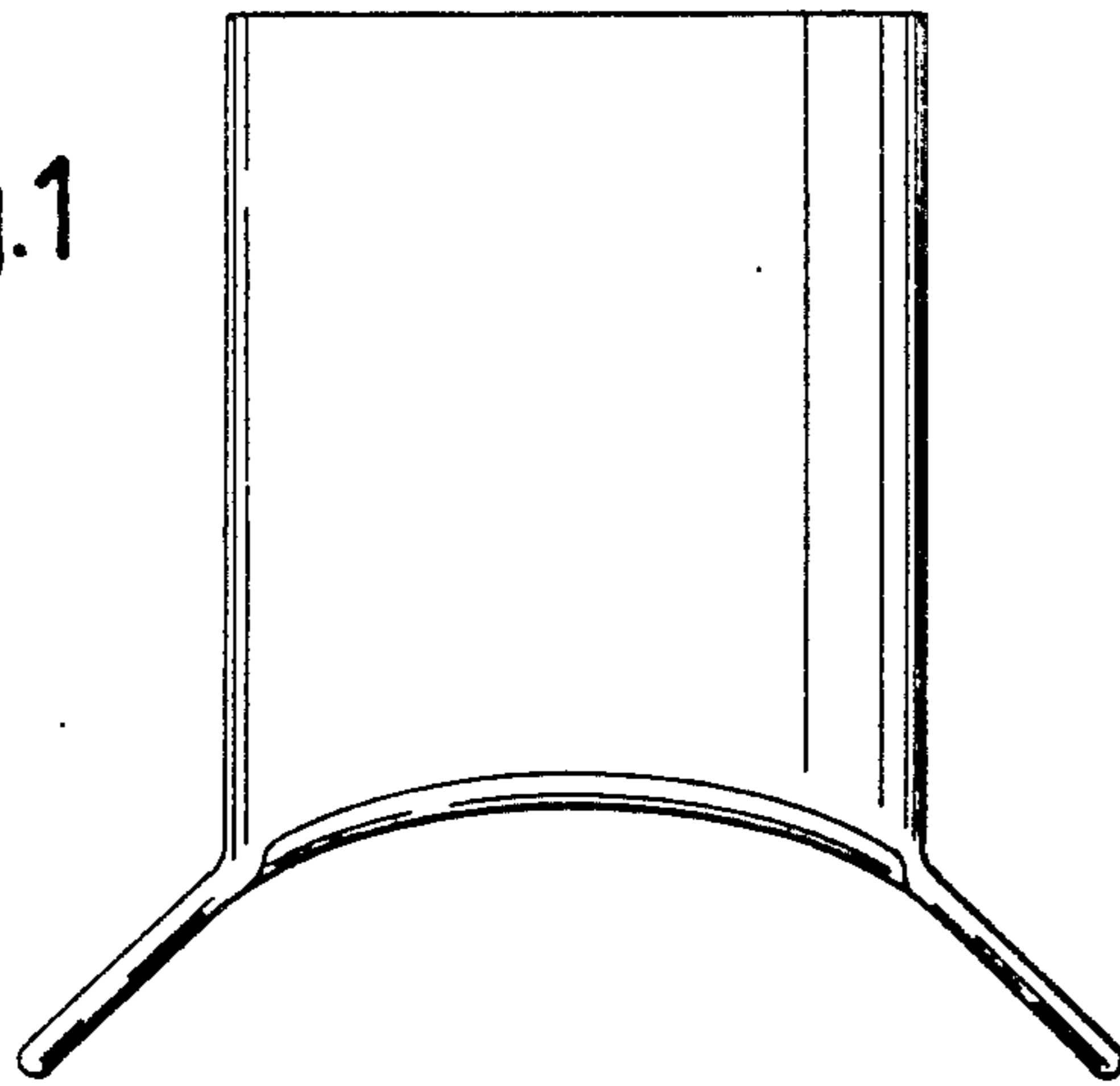


Fig.2

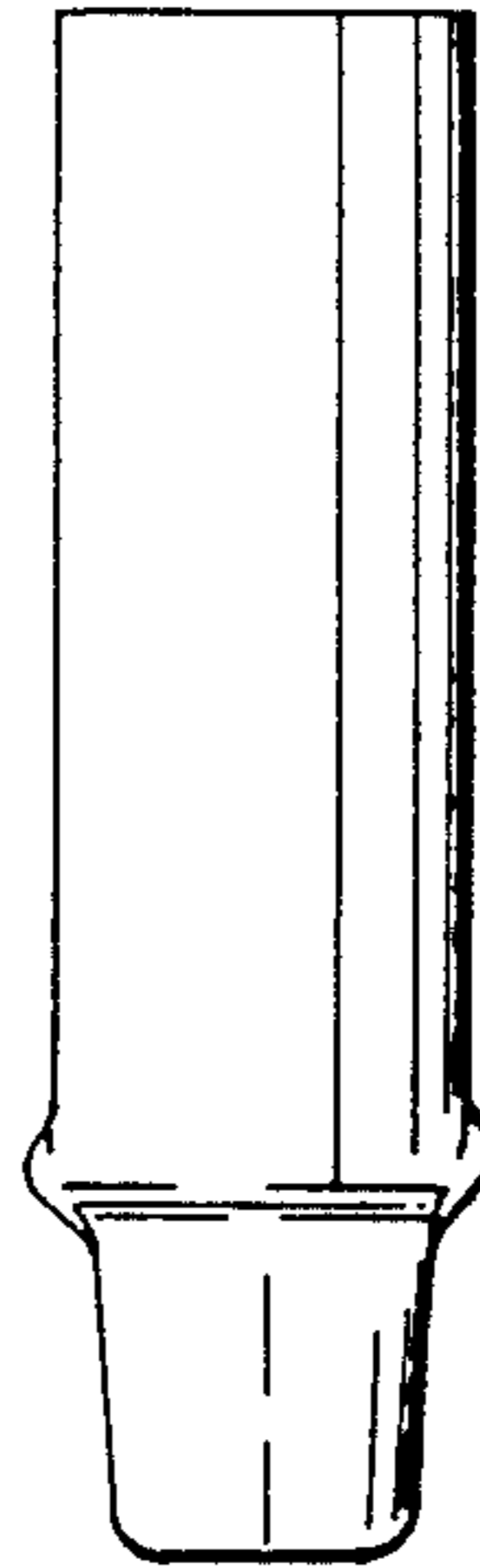


Fig.3

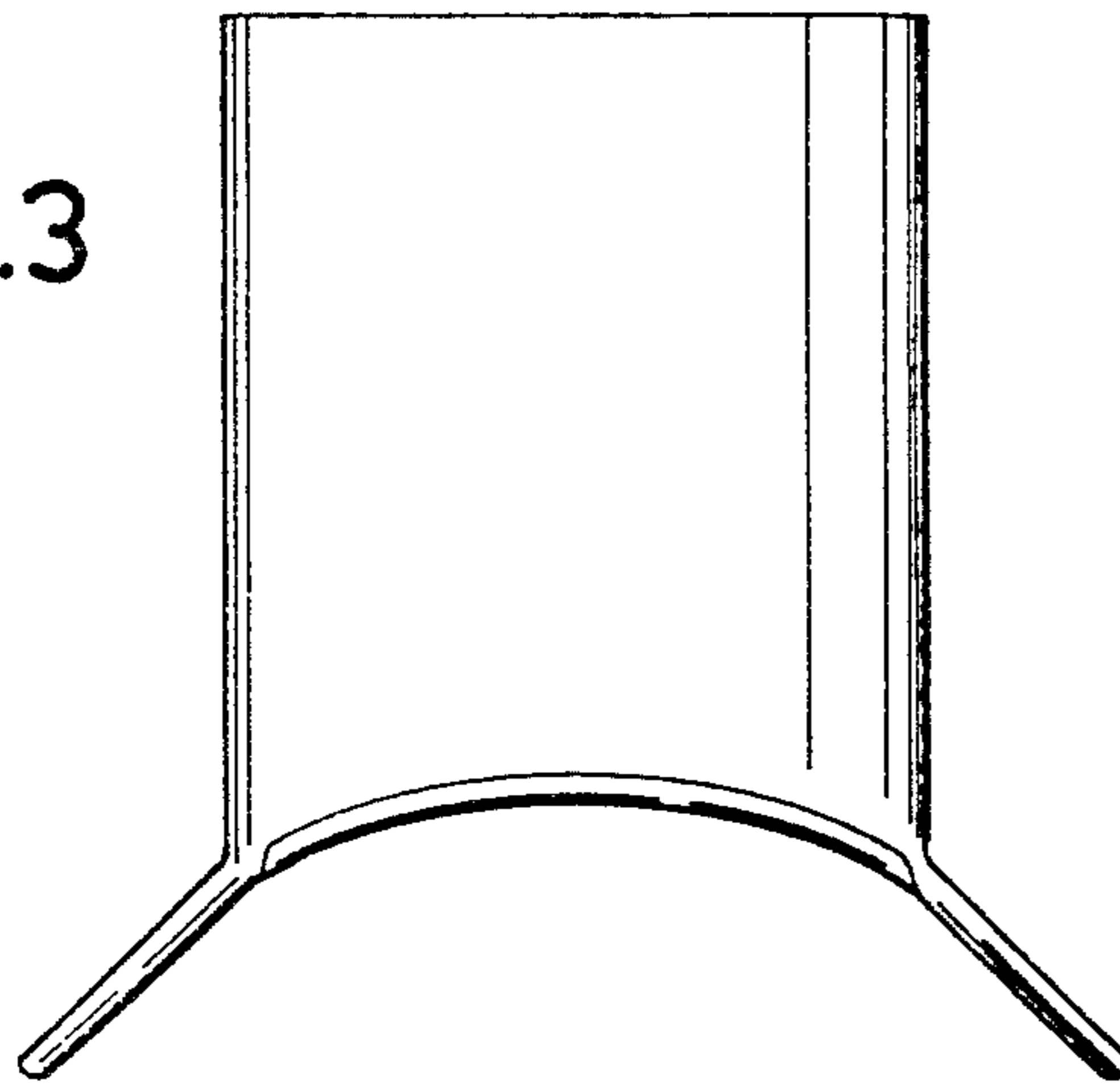


Fig.4

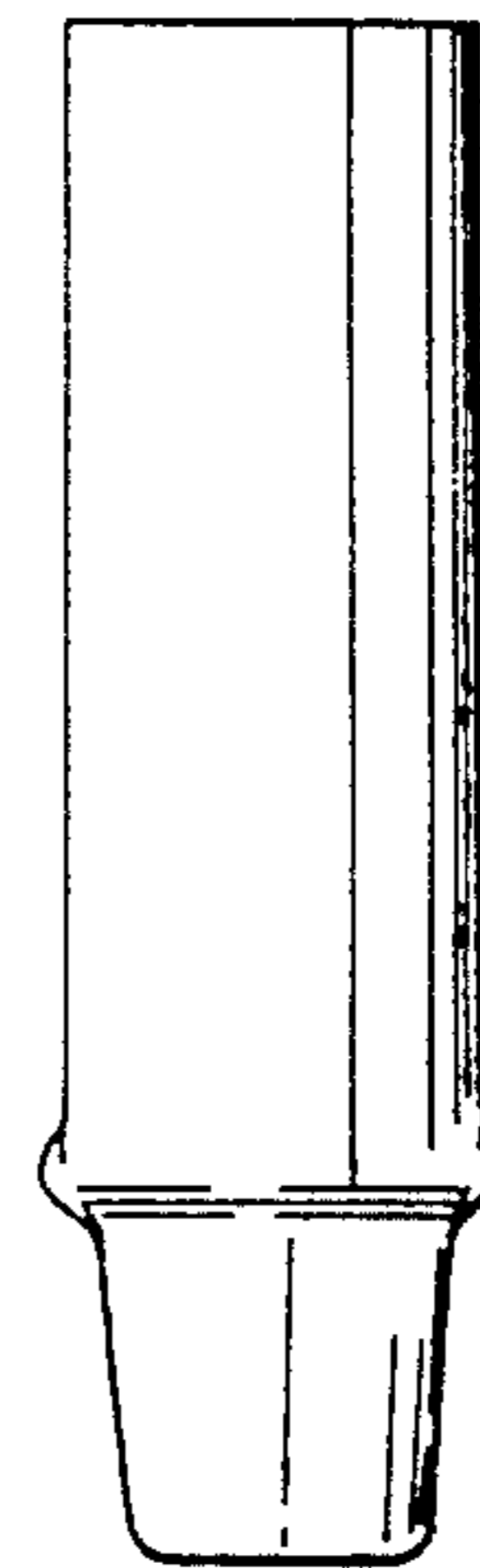


Fig.5

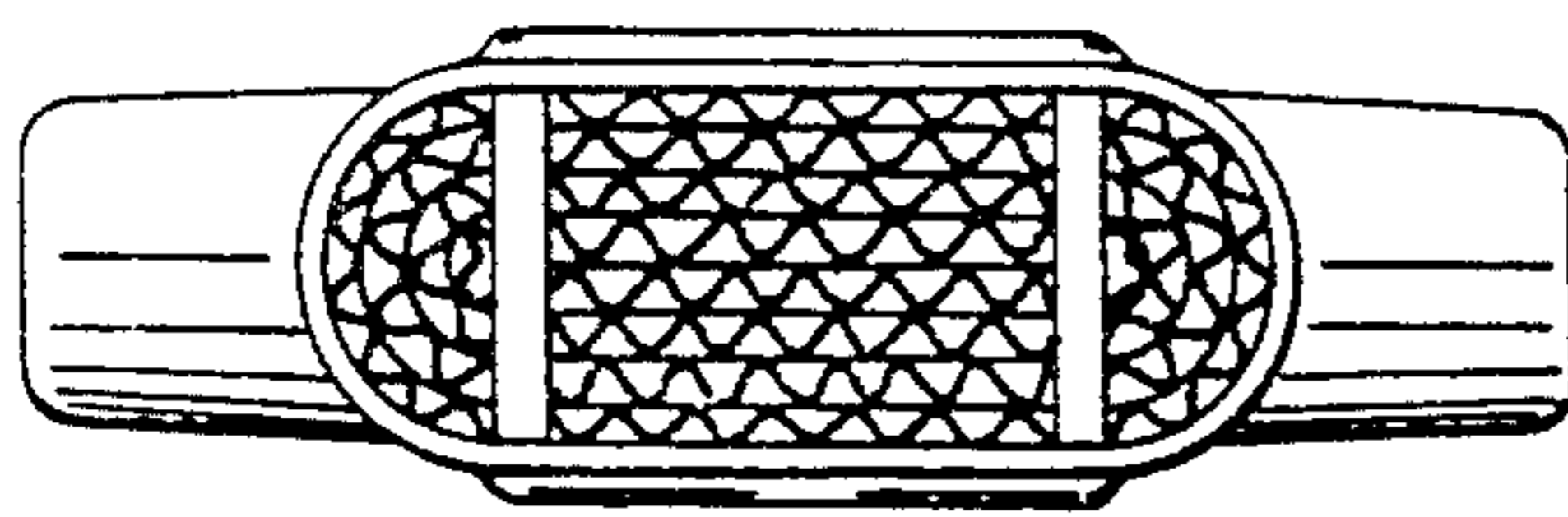


Fig.6

