

[54] COMBINED TOY TEETHER AND RATTLE TOY

[75] Inventors: Harry S. Thomson, Richmond; David M. Raffo; John A. Pape, both of Hitchin, all of England

[73] Assignee: Hestair Kiddicraft Limited, Surrey, England

[**] Term: 14 Years

[21] Appl. No.: 686,295

[22] Filed: Dec. 26, 1984

[30] Foreign Application Priority Data

Sep. 3, 1984 [GB] United Kingdom 1021844
[52] U.S. Cl. D24/45; D21/65
[58] Field of Search D24/45; D21/65, 59, D21/63; 128/360, 359, 762; 446/227, 418, 419, 420

[56] References Cited
U.S. PATENT DOCUMENTS

D. 254,862 4/1980 Botto D21/63
D. 273,405 4/1984 Raffo et al. D21/65
D. 280,749 9/1985 Thompson D24/45

OTHER PUBLICATIONS

Discovery Toy Catalog, Spring/Summer, 1983, p. 6, Item F, Rattle.

Primary Examiner—Charles A. Rademaker
Attorney, Agent, or Firm—McCormick, Paulding & Huber

[57] CLAIM

The ornamental design for a combined toy teether and rattle toy, as shown and described.

DESCRIPTION

FIG. 1 is a front elevational view of a combined toy teether and rattle toy showing my new design, the side opposite being a mirror image;
FIG. 2 is a side elevational view thereof; and,
FIG. 3 is a side elevational view of the side opposite that shown in FIG. 2.

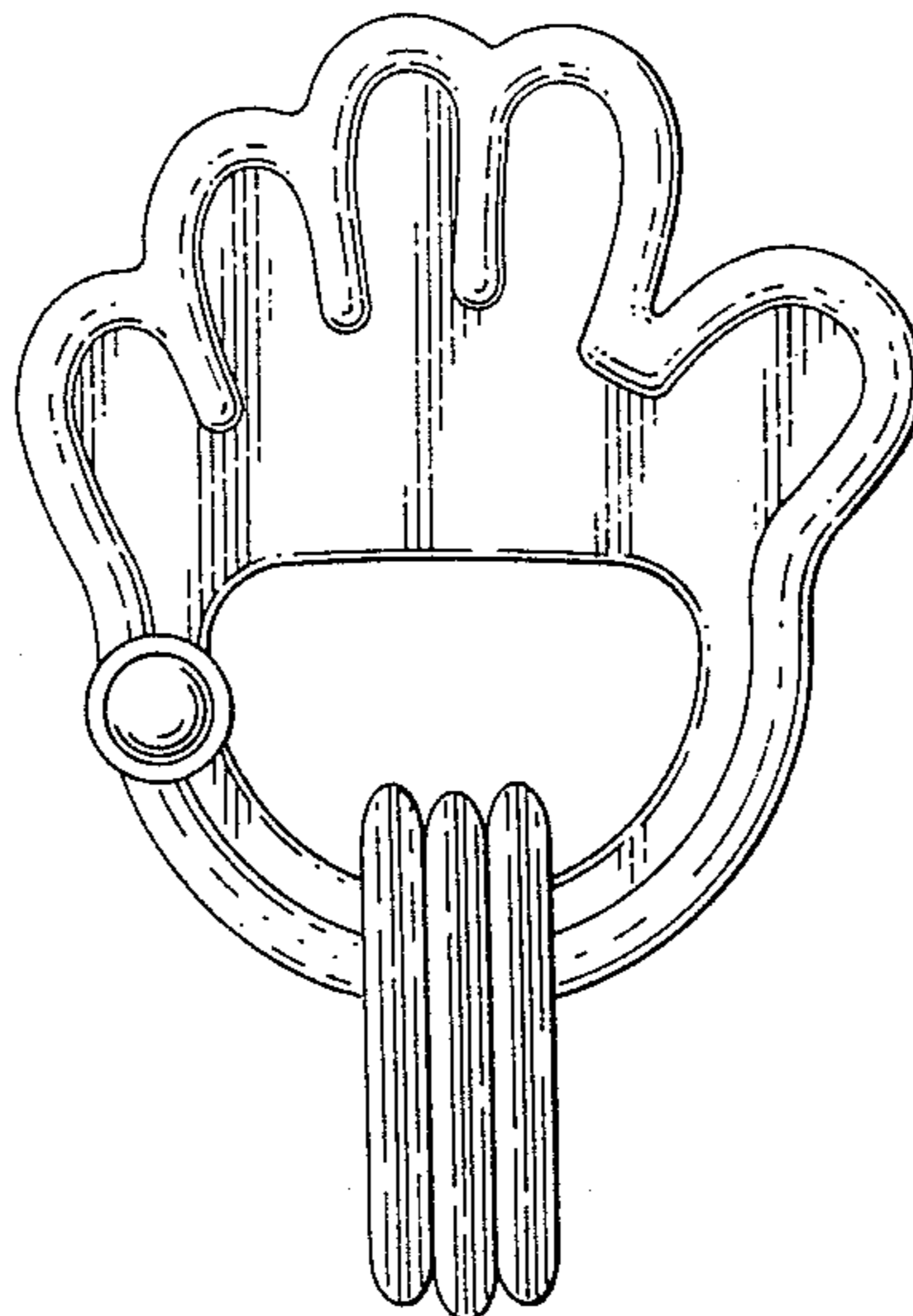
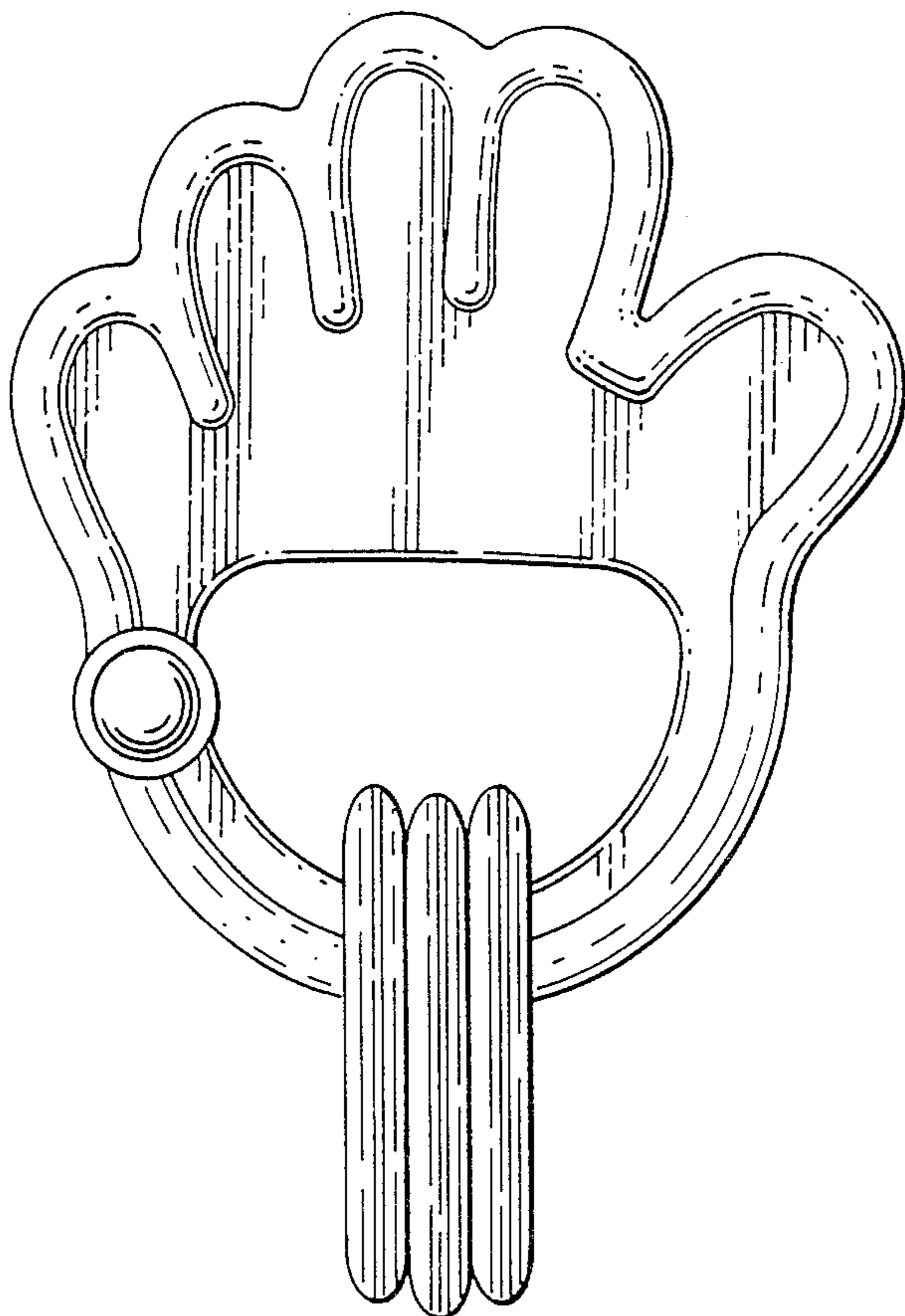


FIG. 1



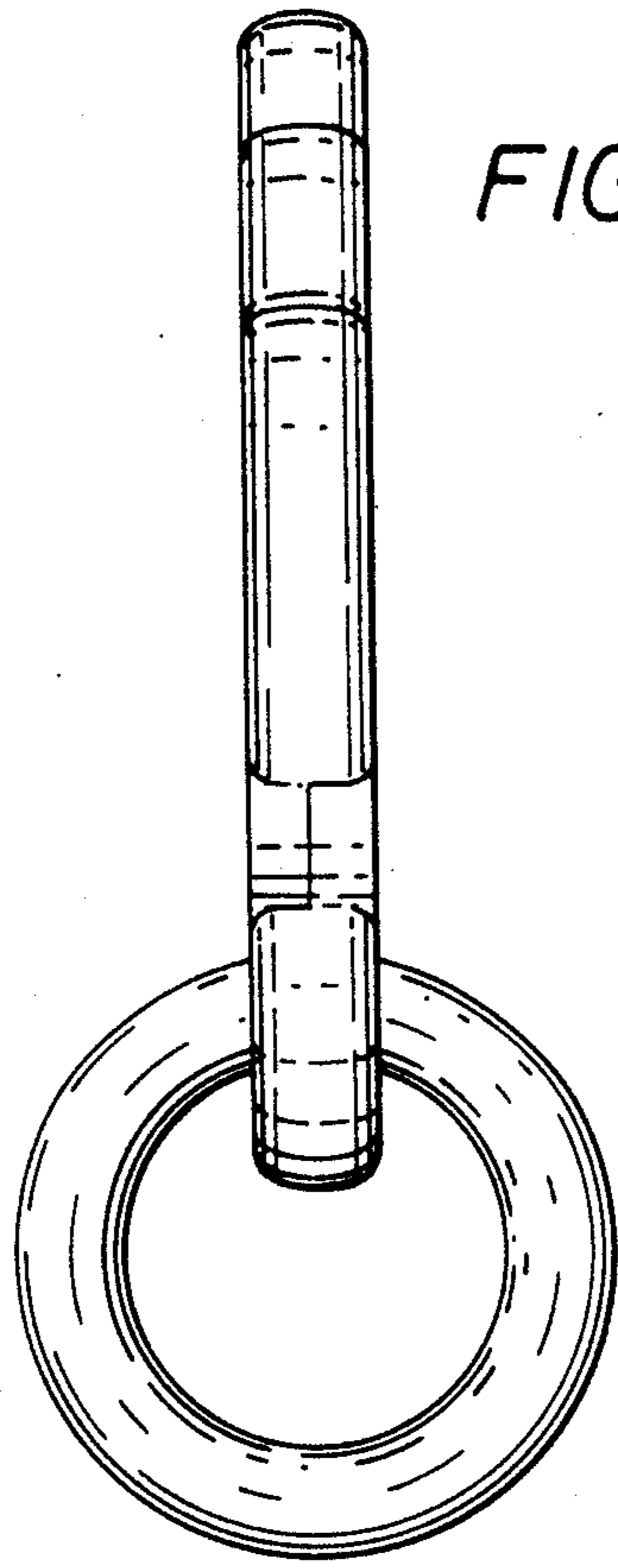


FIG. 2

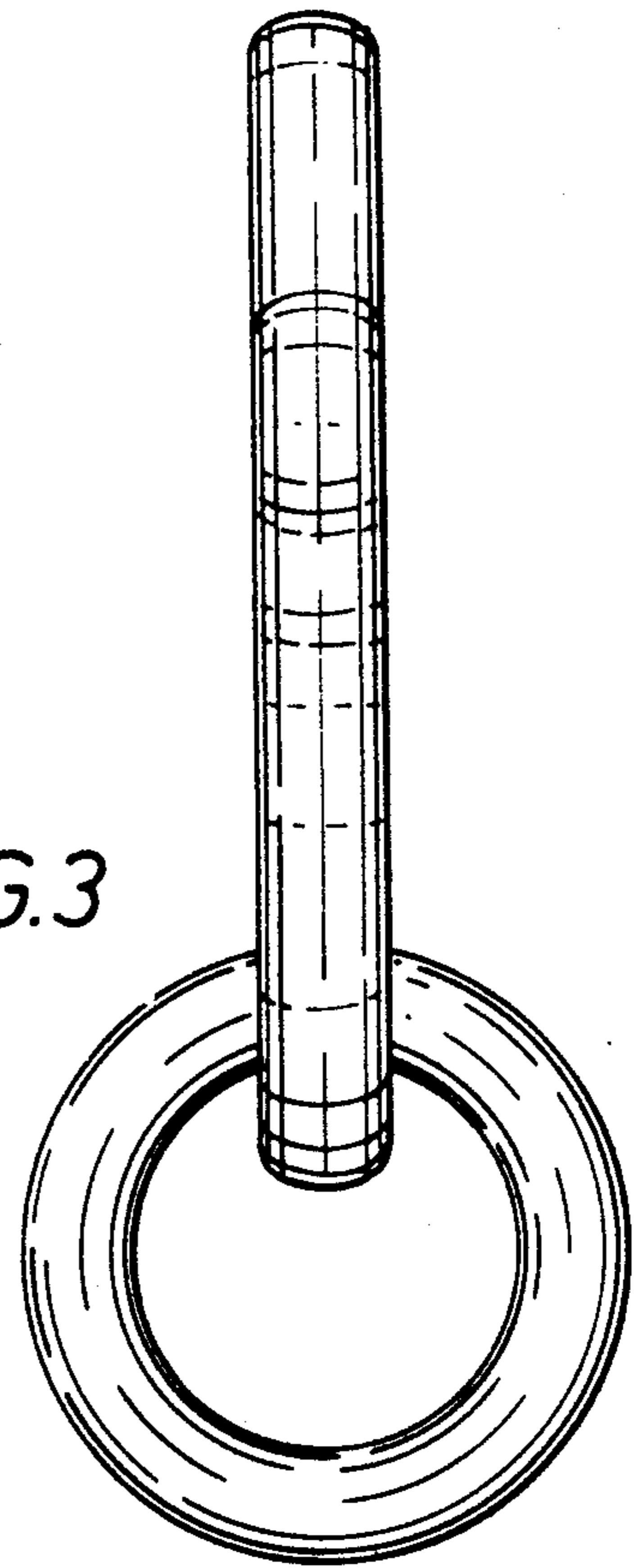


FIG. 3